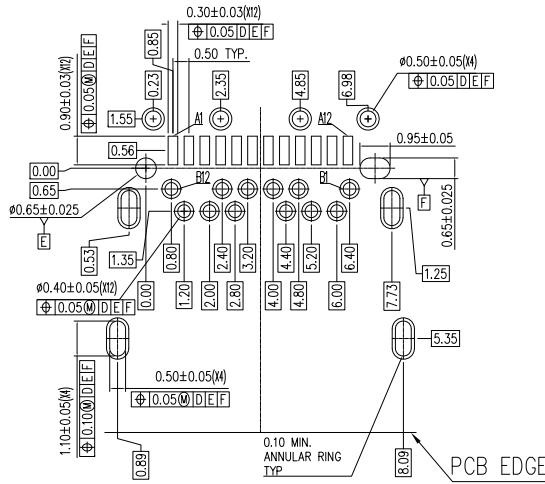
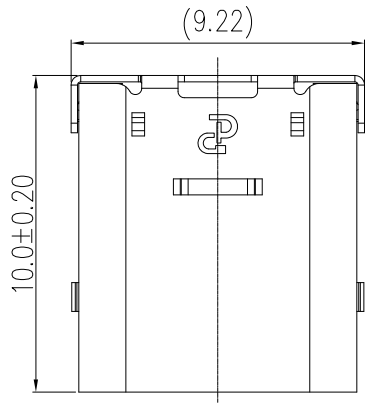
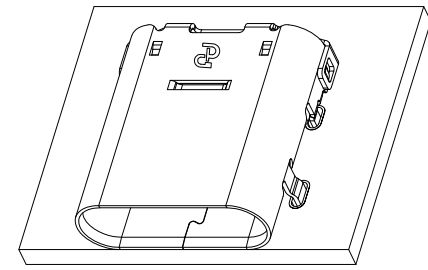
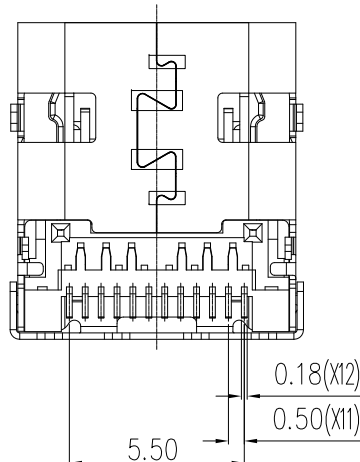
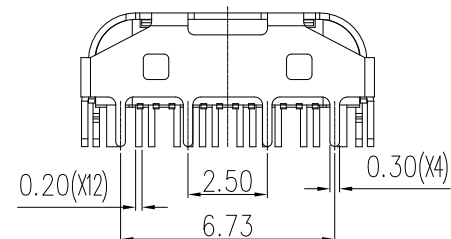
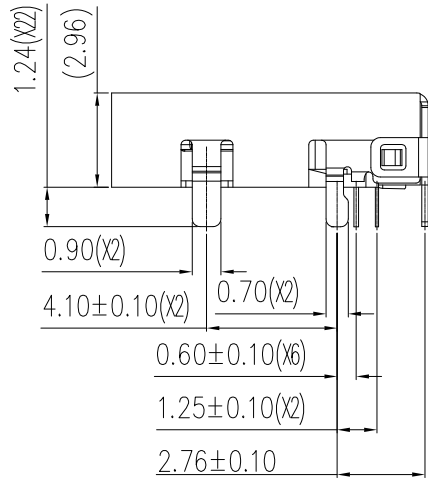
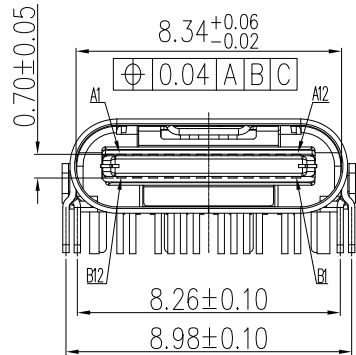


ABIDE BY ROSH,MEETS PT ENVIRONMENTAL Q3-7584



RECOMMENDED PCB LAYOUT
PCB THICKNESS=1.00MM(TOLERANCE=±0.05)

PIN DEFINITION			
PIN	Signal Name	PIN	Signal Name
A1	GND	B12	GND
A2	SSTXp1	B11	SSRXp1
A3	SSTXn1	B10	SSRXn1
A4	VBUS	B9	VBUS
A5	CC1	B8	SBU2
A6	Dp1	B7	Dn2
A7	Dn1	B6	Dp2
A8	SBU1	B5	CC2
A9	VBUS	B4	VBUS
A10	SSRXn2	B3	SSTXn2
A11	SSRXp2	B2	SSTXp2
A12	GND	B1	GND



(Top Mount Type)

REV.	DESCRIPTION	ECN NO.	NEW DESIGNER
X1	NEW RELEASE		LZW 2015.03.19
X6	ADD "Top Mount Type "		LZW 2015.12.24
X7	ADD EXPLOSION DIAGRAM		Michael 2016.06.01

- NOTES:
- MATERIALS:
SHELL: STAINLESS STEEL;
GROUND PLATES: STAINLESS STEEL;
HOUSING: THERMOPLASTIC.U194-V0, BLACK;
CONTACT: COPPER ALLOY
 - PLATING:
CONTACT: 80u"Min. NICKEL UNDERPLATING OVERALL;
PLATED GOLD 30u"Min. ON CONTACT AREA,
OR REFERENCE PART NO. CODE;
PLATED MATTE TIN 120u"Min. ON SOLDER AREA;
SHELL: PLATED MATTE TIN OVERALL;
 - DIMENSIONAL TOLERANCE:
NOT SPECIFIED TOLERANCE, COMPLIED TO THE GENERAL TOLERANCE;
CONTROL DIMENSIONS INDICATED FORM "▼", MUST BE INSPECTED BY QC;
 - ELECTRICAL CHARACTERISTICS:
LOW LEVEL CONTACT RESISTANCE: 40mΩ Max.;
INSULATION RESISTANCE: 100MΩ Min.;
DIELECTRIC WITHSTANDING VOLTAGE: 100 VAC;
CONTACT CURRENT RATING: 5A Max;
 - MECHANICAL CHARACTERISTICS:
INSERTION FORCE: 5~20N;
EXTRACTION FORCE: 8~20N;
DURABILITY: 10000 CYCLES;
 - IR REFLOW CONDITION PEAK TEMPERATURE: 260°C~10S;
 - OPERATING TEMPERATURE RANGE -40°C TO +85°C;

PART NO. CODE:
UTC003 - Q K 5 - H R
① ② ③ ④ ⑤ ⑥

① SERIES:
UTC003: USB 3.1 TYPE-C HYBRID RIGHT-ANGLE RECEPTACLE

② POSITIONS:
O: 24 POSITIONS

③ COLOR OF HOUSING:
K: BLACK
W: WHITE

④ CONTACT PLATED:
2: PLATED Au 3u" MIN
3: PLATED Au 10u" MIN
5: PLATED Au 30u" MIN

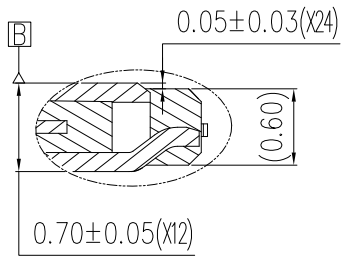
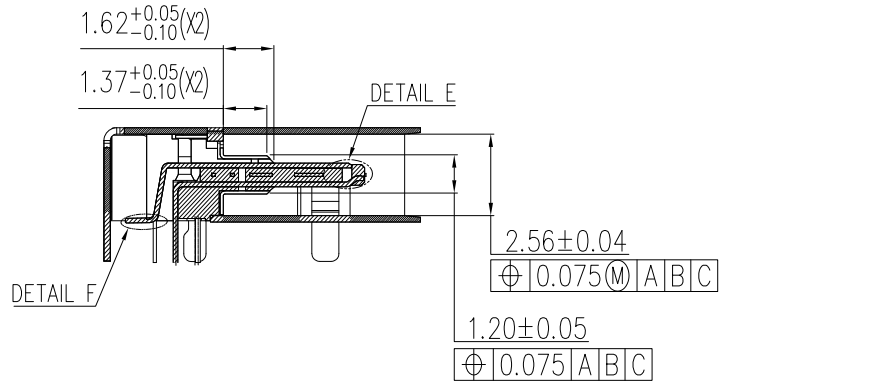
⑤ ENVIRONMENT:
O: RoHS
H: HALOGEN FREE

⑥ WAY OF PACKING:
R: TAPE & REEL

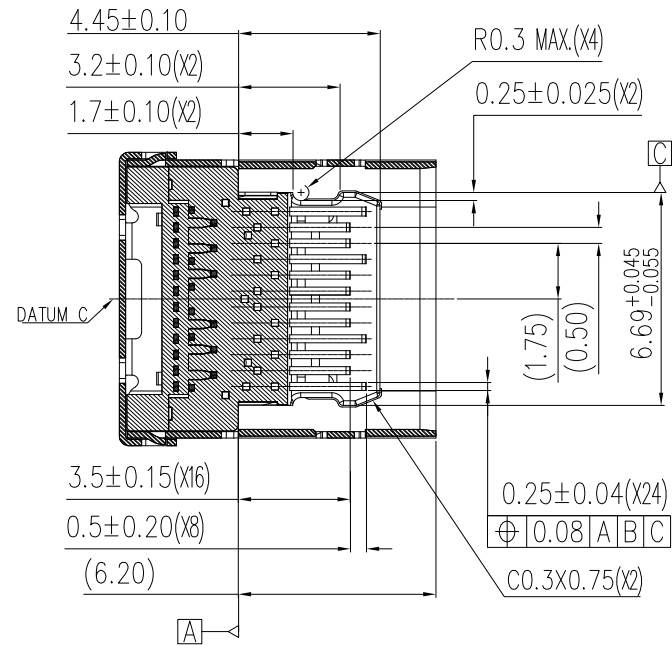
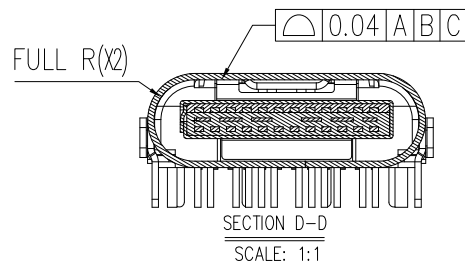
GENERAL TOLERANCE	ANGLE TOLERANCE	NAME (INTENDED USE):	PALCONN		
X. ±0.38 .X ±0.25 .XX ±0.20 .XXX ±0.15	X." ±3.0" .X" ±2.0" .XX" ±1.0"	CUSTOMER DRAWING		PALCONN TECHNOLOGY CO.,LTD. TITLE:	
MAJOR (QC CHECKED) ▼ = 0 places	SCALE: 1:1	APPROVED: Armytan 2016.06.01	USB 3.1 TYPE-C HYBRID RIGHT-ANGLE RECEPTACLE		
CRITICAL: ▼ = 0 places	UNIT: mm	CHECKED: Brian 2016.06.01	SHEET 1 OF 4	SERIES: USB TYPE C	SIZE: A4
		DESIGN: Michael 2016.06.01	DRAWING NO.: C-UTC003-01	REV.: X7	

ABIDE BY ROSH, MEETS PT ENVIRONMENTAL Q3-7584

REV.	DESCRIPTION	ECN NO.	NEW DESIGNER
X1	NEW RELEASE		LZW 2015.03.19
X6	ADD "Top Mount Type "		LZW 2015.12.24
X7	ADD EXPLOSION DIAGRAM		Michael 2016.06.01



DETAIL E
 SCALE: 4:1

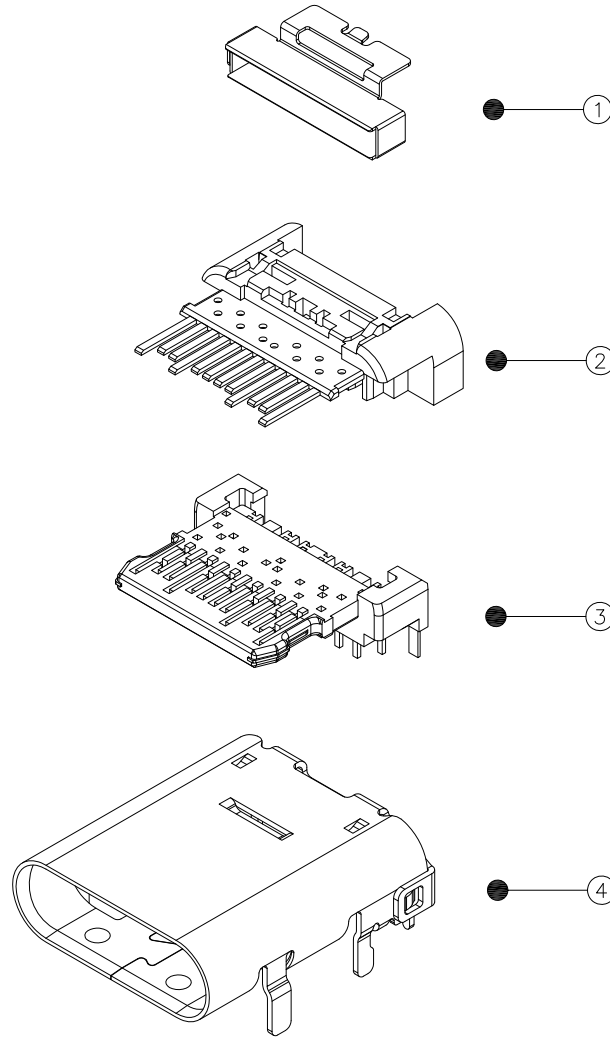


SECTION A-A
 SCALE: 1:1

GENERAL TOLERANCE		ANGLE TOLERANCE		NAME (INTENDED USE):		PALCONN
X. ±0.38		X." ±3.0"		CUSTOMER DRAWING		
.X ±0.25		.X' ±2.0"		PART NO. CODE:		
.XX ±0.20		.XX' ±1.0"		UTC003-O**-**		PALCONN TECHNOLOGY CO.,LTD.
.XXX ±0.15						TITLE:
MAJOR (QC CHECKED)		SCALE: 1:1	APPROVED:	Armytan 2016.06.01	USB FULL-FEATURED TYPE C RECEPTACLE, RIGHT ANGLE DIP AND SMT TYPE	
▼ = 0 places					SERIES:	USB TYPE C
CRITICAL:		UNIT: mm	CHECKED:	Brian 2016.06.01	SIZE:	A4
▽ = 1 places					DRAWING NO.:	C-UTC003-01
SHEET 2 OF 4		DESIGN:	Michael 2016.06.01		REV.:	X7


ABIDE BY ROHS,MEETS PT ENVIRONMENTAL Q3-7584

REV.	DESCRIPTION	ECN NO.	NEW DESIGNER
X1	NEW RELEASE		LZW 2015.03.19
X6	ADD "Top Mount Type "		LZW 2015.12.24
X7	ADD EXPLOSION DIAGRAM		Michael 2016.06.01



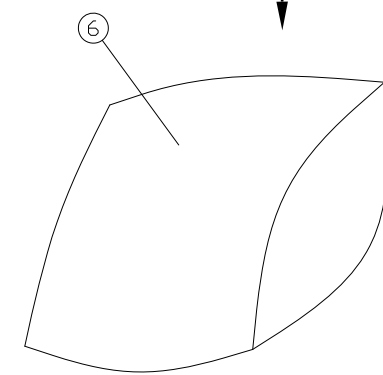
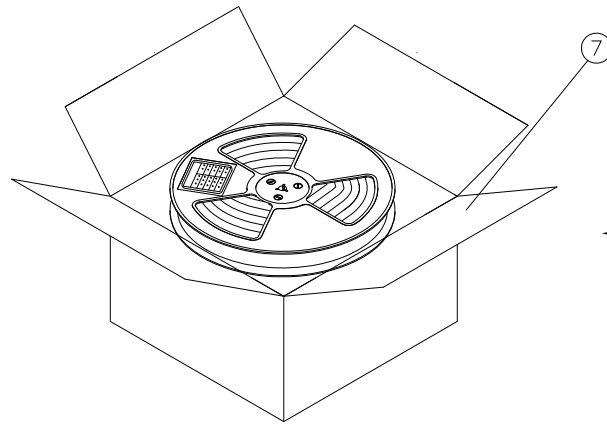
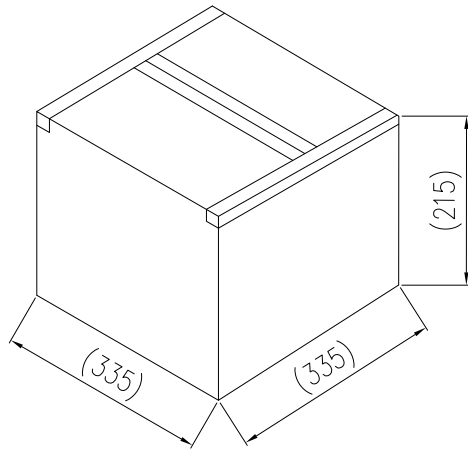
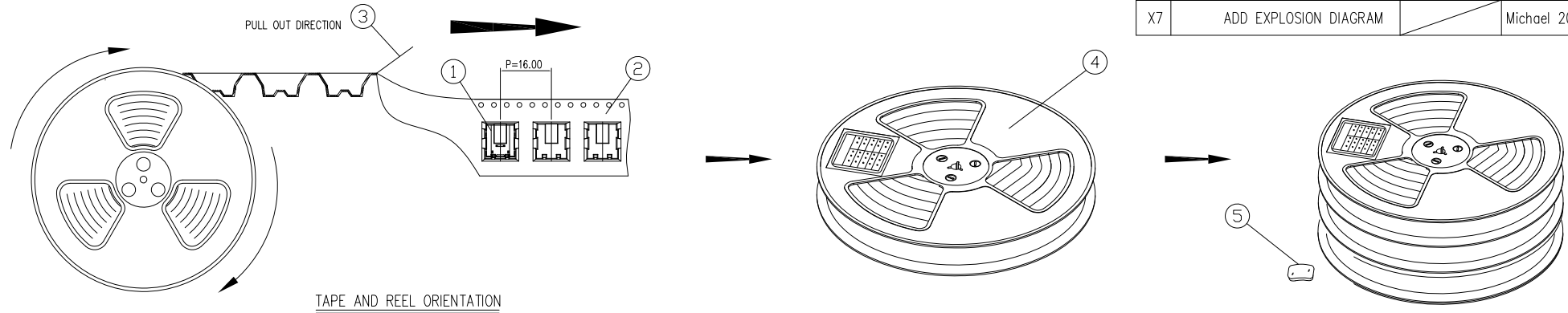
BILL OF MATERIAL:

ITEM	PART NAME	QTY	DRAWING NO.	PART NO.	MATERIAL	REMARK
4	OUT SHELL	1	S-ST-UTC-1-03	S-UTC-1-20**003*	STAINLESS STEEL	PLATED TIN
3	SMT MOLDING	1	B-ST-UTC-1-01	B-UTC-1-20**001*	COPPER ALLOY+THERMOPLASTIC	PLATED Au
2	DIP MOLDING	1	B-ST-UTC-1-00	B-UTC-1-10**000*	COPPER ALLOY+THERMOPLASTIC	PLATED Au
1	INNER SHELL	1	S-ST-UTC-1-00	S-UTC-1-10**000*	STAINLESS STEEL	PLATED NICKEL

GENERAL TOLERANCE X. ±0.38 .X ±0.25 .XX ±0.20 .XXX ±0.15		ANGLE TOLERANCE X.* ±3.0° .X.* ±2.0° .XX.* ±1.0°		NAME(INTENDED USE): CUSTOMER DRAWING		 PALCONN TECHNOLOGY CO.,LTD. TITLE:	
MAJOR(QC CHECKED) ▼= 0 places		SCALE: 1:1	APPROVED: Armytan 2016.06.01	PART NO. CODE: UTC003-O**-**			
CRITICAL: ▽= 0 places		UNIT: mm	CHECKED: Brian 2016.06.01	SERIES:	USB TYPE C	SIZE: A4	
SHEET 3 OF 4		DESIGN: Michael 2016.06.01	DRAWING NO.:	C-UTC003-01	REV.:	X7	

ABIDE BY ROHS,MEETS PT ENVIRONMENTAL Q3-7584


REV.	DESCRIPTION	ECN NO.	NEW DESIGNER
X1	NEW RELEASE		LZW 2015.03.19
X6	ADD "Top Mount Type "		LZW 2015.12.24
X7	ADD EXPLOSION DIAGRAM		Michael 2016.06.01



BILL OF MATERIAL:

ITEM	PART NAME	Q'TY	MATERIAL
7	OUTER CARTON	1	K=K
6	ANTI-WATER POLYBAG	1	PE
5	DESICCANT	5	/
4	REEL	6	PS(BLUE)
3	COVER TAPE	12.67X6M	PET T=0.07mm
2	CARRIER TAPE	12.67X6M	PS T=0.35mm
1	PRODUCT	4500PCS	/

- LEADER AND TRAILER TAPE
 1. COVER TAPE PEELING FORCE IN THE DIRECTION SHOWN SHALL BE 0.20N MIN.
 2. TAPE AND REEL MATERIALS:
 a. CARRIER TAPE: POLYPROPYLENE OR POLYSTYRENE- ANTI-ESD
 b. COVER TAPE: TREATED FOR ANTI-ESD
 c. REEL: POLYPROPYLENE OR POLYSTYRENE
 3. PACKING QUANTITY AND STYLE:
 a. QUANTITY: 750 PCS/REEL
 b. 6 REELS / OUTER CARTON
 c. 4500 PCS/ OUTER CARTON
 4. PACKING STYLE: TAPE&REEL

GENERAL TOLERANCE		ANGLE TOLERANCE		NAME (INTENDED USE):		 PALCONN TECHNOLOGY CO.,LTD. TITLE:
X.	±0.38	X.*	±3.0°	CUSTOMER DRAWING		
.X	±0.25	.X.*	±2.0°	PART NO. CODE:		
.XX	±0.20	.XX.*	±1.0°	UTC003-0**-**		SERIES: USB TYPE C SIZE: A4
.XXX ±0.15				APPROVED: Armytan 2016.06.01		DRAWING NO.: C-UTC003-01 REV.: X7
MAJOR (QC CHECKED) ▼= 0 places		SCALE: 1:1	CHECKED: Brian 2016.06.01			
CRITICAL: ▽= 0 places		UNIT: mm	DESIGN: Michael 2016.06.01			
SHEET 4 OF 4		