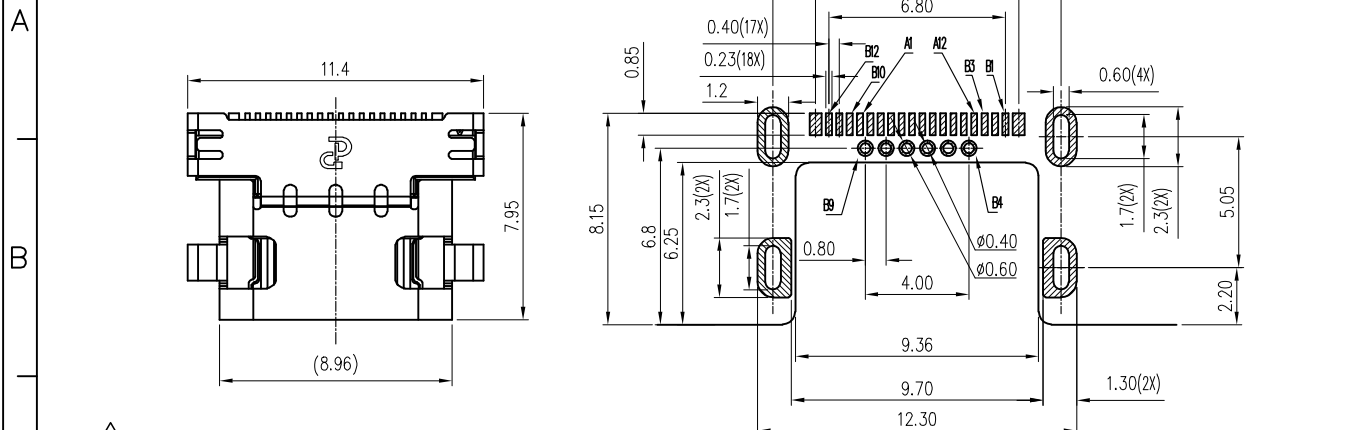
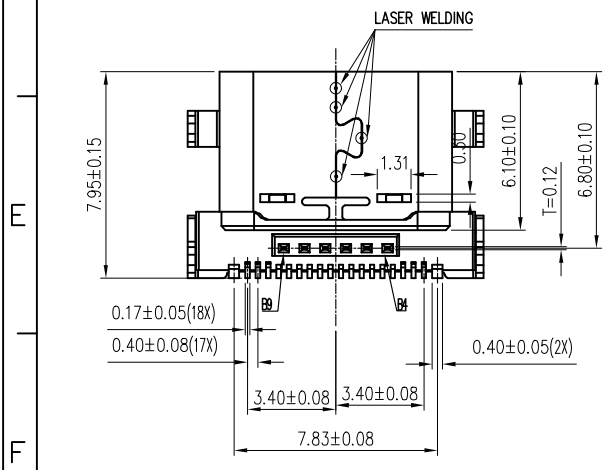
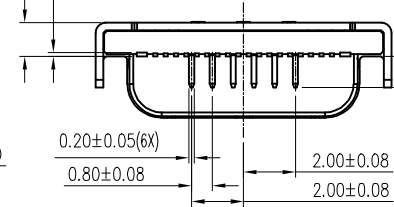
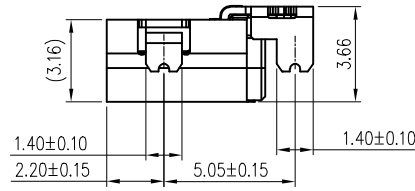
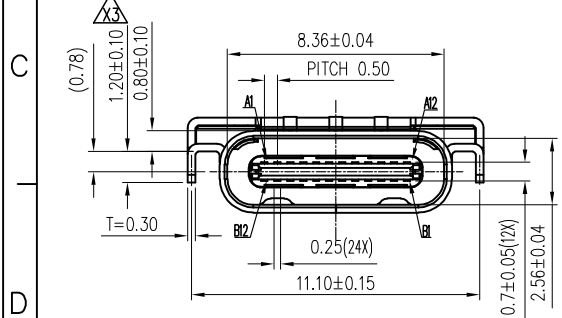


ABIDE BY ROHS, MEETS PT ENVIRONMENTAL Q3-7584

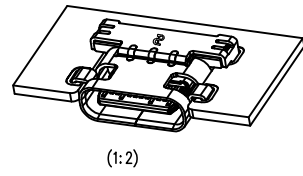
REV.	DESCRIPTION	ECN NO.	NEW DESIGNER
X1	NEW RELEASE		LZW 2016.1.16
X2	CHANGE SIZE		DHM 2016.05.09
X3	CHANGE SIZE		DHM 2016.05.11



RECOMMEND PCB LAYOUT
(THICKNESS: 1.00 OR 1.20mm)



PIN DEFINITION			
PIN	Signal Name	PIN	Signal Name
A1	GND	B12	GND
A2	SSTXp1	B11	SSRXp1
A3	SSTXn1	B10	SSRXn1
A4	VBUS	B9	VBUS
A5	CC1	B8	SBU2
A6	Dp1	B7	Dn2
A7	Dn1	B6	Dp2
A8	SBU1	B5	CC2
A9	VBUS	B4	VBUS
A10	SSRXn2	B3	SSTXn2
A11	SSRXp2	B2	SSTXp2
A12	GND	B1	GND



- NOTES:
- MATERIALS:
HOUSING: THERMOPLASTIC, UL94V-0, COLOR: BLACK
CONTACT: COPPER ALLOY
SHELL: STAINLESS STEEL
GUARD: STAINLESS STEEL
SPRING: STAINLESS STEEL
 - PLATING:
CONTACT: 80u" Min. NICKEL UNDERPLATING OVERALL;
PLATED GOLD 30u" Min. ON CONTACT AREA,
OR REFERENCE PART NO. CODE;
PLATED MATTE TIN 120u" Min. ON SOLDER AREA;
 - SHELL: PLATED MATTE TIN OVERALL;
 - DIMENSIONAL TOLERANCE:
NOT SPECIFIED TOLERANCE, COMPLIED TO THE GENERAL TOLERANCE;
CONTROL DIMENSIONS INDICATED FORM "▼", MUST BE INSPECTED BY QC;
 - ELECTRICAL CHARACTERISTICS:
LOW LEVEL CONTACT RESISTANCE: 40mΩ Max.;
INSULATION RESISTANCE: 100MΩ Min.;
DIELECTRIC WITHSTANDING VOLTAGE: 100 VAC;
CONTACT CURRENT RATING: 5A Max;
 - MECHANICAL CHARACTERISTICS:
INSERTION FORCE: 5~20N;
EXTRACTION FORCE: 8~20N;
DURABILITY: 10000 CYCLES;
 - IR REFLOW CONDITION PEAK TEMPERATURE: 260°C-10S
 - OPERATING TEMPERATURE RANGE -40°C TO +85°C

- PART NO. CODE:
UTC018 - O K * - H R
① ② ③ ④ ⑤ ⑥
- ① SERIES:
UTC018: USB 3.1 Type-C Mid-Mount Hybrid Right-Angle Receptacle
- ② POSITIONS:
O: 24 POSITIONS
- ③ COLOR OF HOUSING:
K: BLACK
W: WHITE
- ④ CONTACT PLATED:
2: PLATED Au 3u" MIN
3: PLATED Au 10u" MIN
5: PLATED Au 30u" MIN
- ⑤ ENVIRONMENT:
O: ROHS
H: HALOGEN FREE
- ⑥ WAY OF PACKING:
R: TAPE & REEL

GENERAL TOLERANCE X ±0.38 .X ±0.20 .XX ±0.10 .XXX ±0.05	ANGLE TOLERANCE X' ±3.0' .X' ±2.0' .XX' ±1.0'	NAME (INTENDED USE): CUSTOMER DRAWING PART NO. CODE: UTC018-0**-**	PALCONN PALCONN TECHNOLOGY CO., LTD. TITLE: USB 3.1 Type-C Mid-Mount Hybrid Right-Angle Receptacle
MAJOR (QC CHECKED) ▼ = 0 places	SCALE: 1:1	APPROVED:	
CRITICAL: ▼ = 0 places	UNIT: mm	CHECKED:	SERIES: USB TYPE C
SHEET 1 OF 2	DESIGN:		SIZE: A4
			DRAWING NO.: C-UTC018-01
			REV.: X3