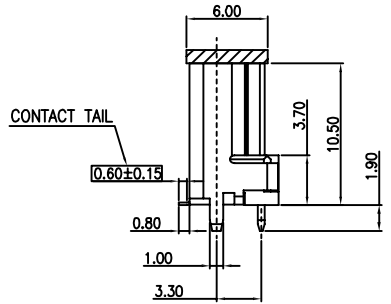
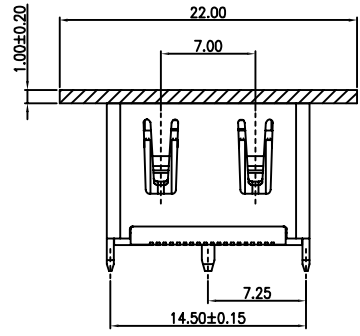
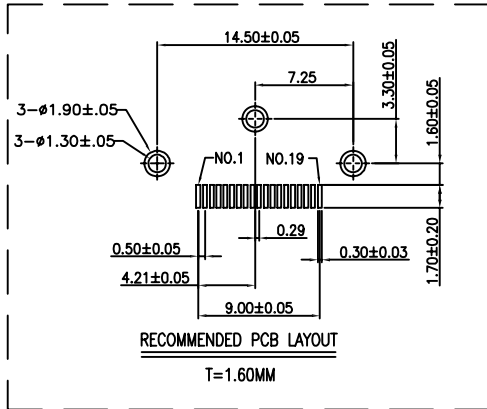
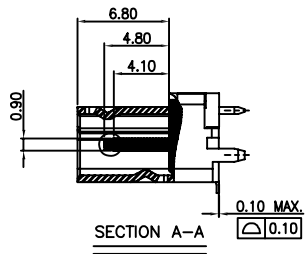
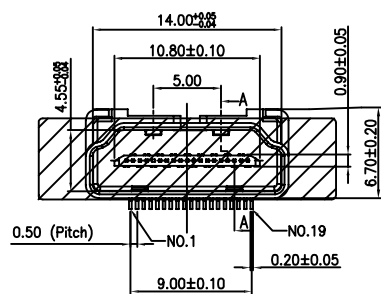
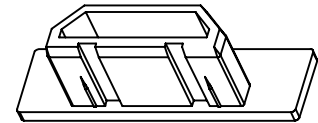
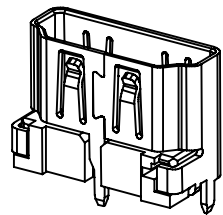


RevNo	Revision note	Date	Signature	Checked
A	NEW RELEASE	01-13-12		



- NOTES:
- MATERIAL:
HOUSING: LCP, UL 94V-0
OUTER SHELL: BRASS, T=0.50mm
TERMINAL: BRASS, T=0.20mm
 - CONTACT PLATING:
NICKEL UNDERPLATING OVER ALL
GOLD PLATING AT CONTACT AREA
TIN PLATING AT SOLDERING AREA
 - SHELL PLATING: Ni 50u" MIN
 - PACKAGING SPECIFICATION: TRAY
 - TERMINAL SOLDER-TAIL COPLANARITY 0.10mm MAX
 - ELECTRICAL:
CURRENT RATING: 0.5A
VOLTAGE RATING: 40V AC(rms)
DIELECTRIC WITHSTANDING VOLTAGE: 500V AC FOR 1 MINUTE
CONTACT RESISTANCE: 30 mΩ MAX.
INSULATION RESISTANCE: 100 MΩ MIN.
OPERATING TEMPERATURE: -25°C TO +85°C

PART NO. CODE:
HDM002 - K K X - X X
① ② ③ ④ ⑤ ⑥


- ① SERIES:
HDM002: HDMI CONNECTOR VERTICAL SMT TYPE
- ② POSITIONS:
K: 19 POSITIONS
- ③ INSULATOR COLOR:
K: BLACK
W: WHITE
- ④ CONTACT PLATING:
1: Au 1u"
2: Au 3~5u"
4: Au 15u"
5: Au 30u"
- ⑤ ENVIRONMENT:
O: RoHS
H: HALOGEN FREE
- ⑥ WAY OF PACKING:
T: TRAY
R: TAPE & REEL
B: WATERPROOF BAG

BILL OF MATERIAL :

ITEM	PART NAME	Q'TY	MATERIAL	PLATING
5	COVER	1	LCP	N/A
4	OUTER SHELL	1	BRASS	NICKEL PLATING
3	CONTACT	10	BRASS	AU OVER Ni
2	CONTACT	9	BRASS	AU OVER Ni
1	HOUSING	1	LCP	N/A

GENERAL TOLERANCES (UNLESS SPECIFIED) DIMENSION STYLE : MM < INCH >		
	MM	ANGLE°
4 PLACES	± ---	± ---
3 PLACES	± 0.05	± ---
2 PLACES	± 0.13	± 0.5°
1 PLACES	± 0.25	± 1.0°
0 PLACES	± 0.38	± 2.0°

FINISH	
SEE NOTES	
MATERIAL	
SEE NOTES	
DRAWN BY	DATE
R. Ly	01-13-12
CHECKED BY	DATE
A. TENG	01-13-12
APPROVED BY	DATE
---	---



TITLE
HDMI 19P SMT TYPE, VERTICAL

SIZE A4 DRAWING NO. HDM002-KKX-XX

SCALE NONE SHEET 1 OF 1 REV. A