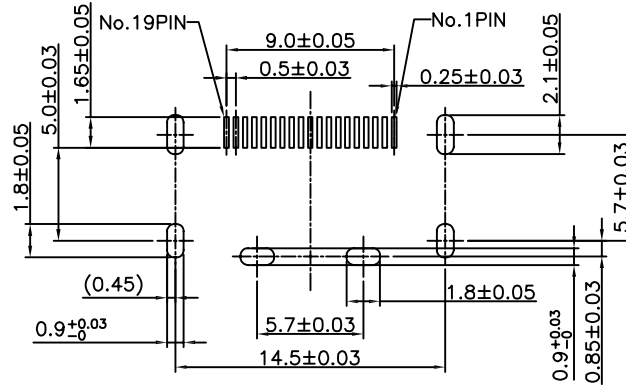
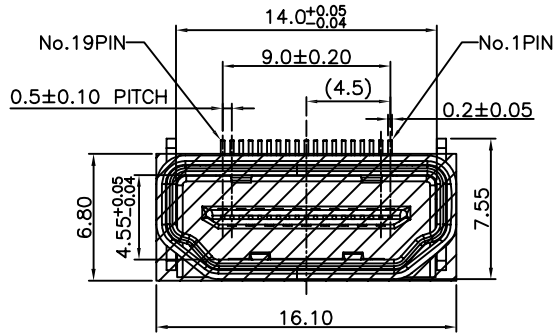
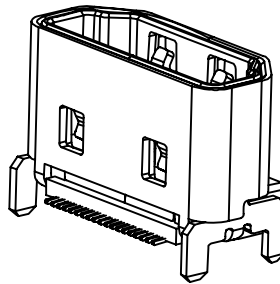
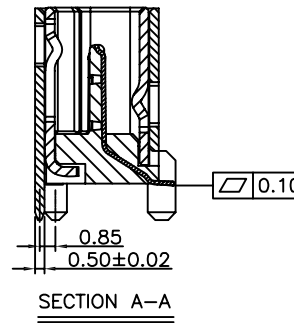
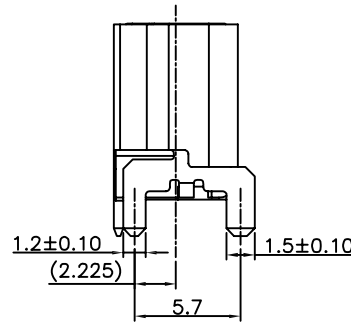
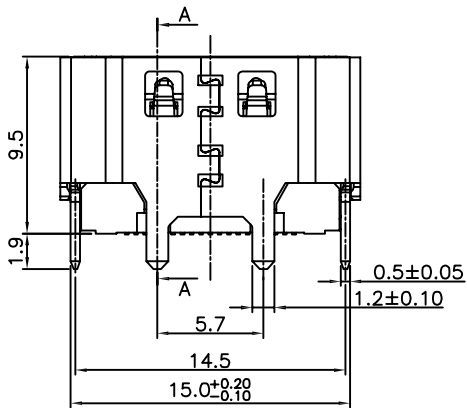


RevNo	Revision note	Date	Signature	Checked
A	NEW RELEASE	03-01-12		



RECOMMENDED P.C.B LAYOUT



NOTES:

1. MATERIAL:

HOUSING: THERMOPLASTIC  
 TERMINAL: PHOSPHOR BRONZE, T=0.20mm  
 SHELL: BRASS, T=0.50mm

2. CONTACT PLATING:

NICKEL UNDERPLATING OVER ALL  
 GOLD PLATING AT CONTACT AREA  
 TIN PLATING AT SOLDERING AREA

3. SHELL PLATING: Sn PLATING OVER ALL

4. PACKAGING SPECIFICATION: TAPE & REEL

5. ELECTRICAL:

INSULATION RESISTANCE: 100 MΩ MIN.  
 CONTACT RESISTANCE: 30 mΩ MAX.  
 DIELECTRIC WITHSTANDING VOLTAGE: 500V AC FOR 1 MINUTE  
 CURRENT RATING: 0.5A  
 VOLTAGE RATING: 40V AC

PART NO. CODE:

HDM016 - K K X - X X  
 ① ② ③ ④ ⑤ ⑥

① SERIES:

HDM016: HDMI VERTICAL, SMT TYPE, DOUBLE SHELL

② POSITIONS:

K: 19 POSITIONS

③ INSULATOR COLOR:

K: BLACK  
 W: WHITE

④ CONTACT PLATING:

1: Au 1u"  
 2: Au 3~5u"  
 4: Au 15u"  
 5: Au 30u"

⑤ ENVIRONMENT:

O: RoHS  
 H: HALOGEN FREE

⑥ WAY OF PACKING:

T: TRAY  
 R: TAPE & REEL  
 B: WATERPROOF BAG

4	OUTSHELL	1 PC	BRASS	Sn
3	INSHELL	1 PC	BRASS	Sn
2	19PIN TERMINAL	1 SET	PHOSPHOR BRONZE	AU OVER NI
1	HOUSING	1 PC	THERMOPLASTIC	N/A
ITEM	PART NAME	Q'TY	MATERIAL	PLATING

GENERAL TOLERANCES ( UNLESS SPECIFIED ) DIMENSION STYLE : MM < INCH >		
	MM	ANGLE°
4 PLACES	± ---	± ---
3 PLACES	± 0.05	± ---
2 PLACES	± 0.13	± 0.5°
1 PLACES	± 0.25	± 1.0°
0 PLACES	± 0.38	± 2.0°



THIRD ANGLE  
PROJECTION

FINISH	
SEE NOTES	
MATERIAL	
SEE NOTES	
DRAWN BY	DATE
R. Ly	03-01-12
CHECKED BY	DATE
A. TENG	03-01-12
APPROVED BY	DATE
---	---

**PALCONN**

TITLE  
HDMI CONNECTOR, 19P, FEMALE,  
VERTICAL, SMT TYPE

SIZE A4 DRAWING NO.  
HDM016-KKX-XX

SCALE NONE SHEET 1 OF 1 REV. A