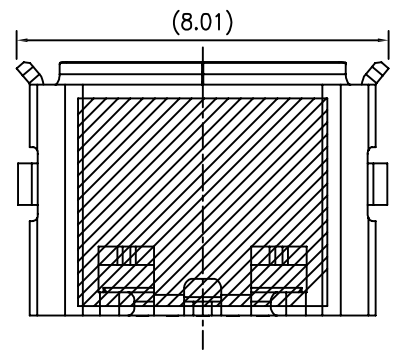
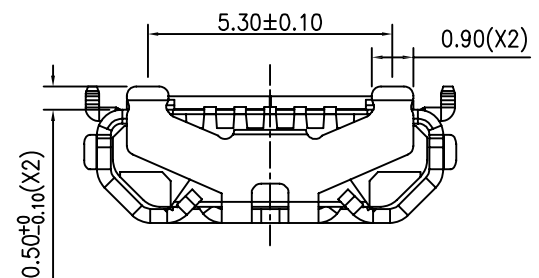
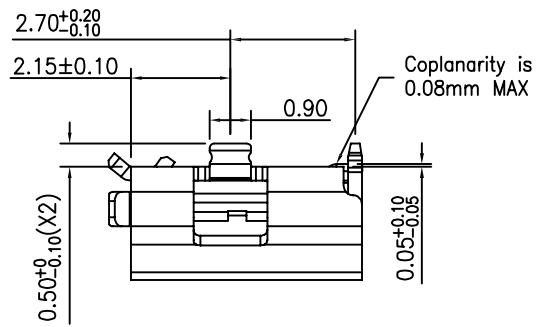
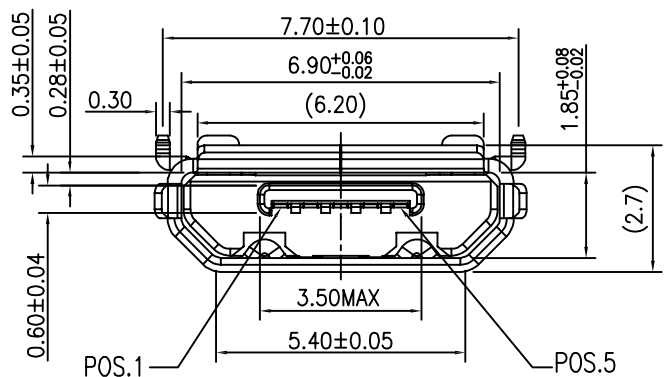
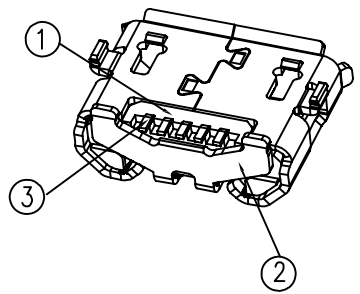
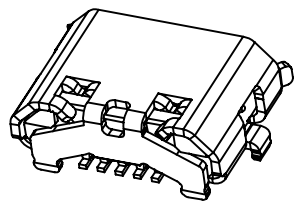
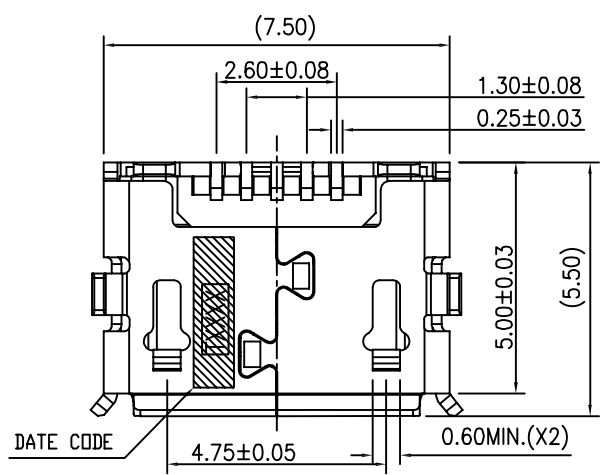
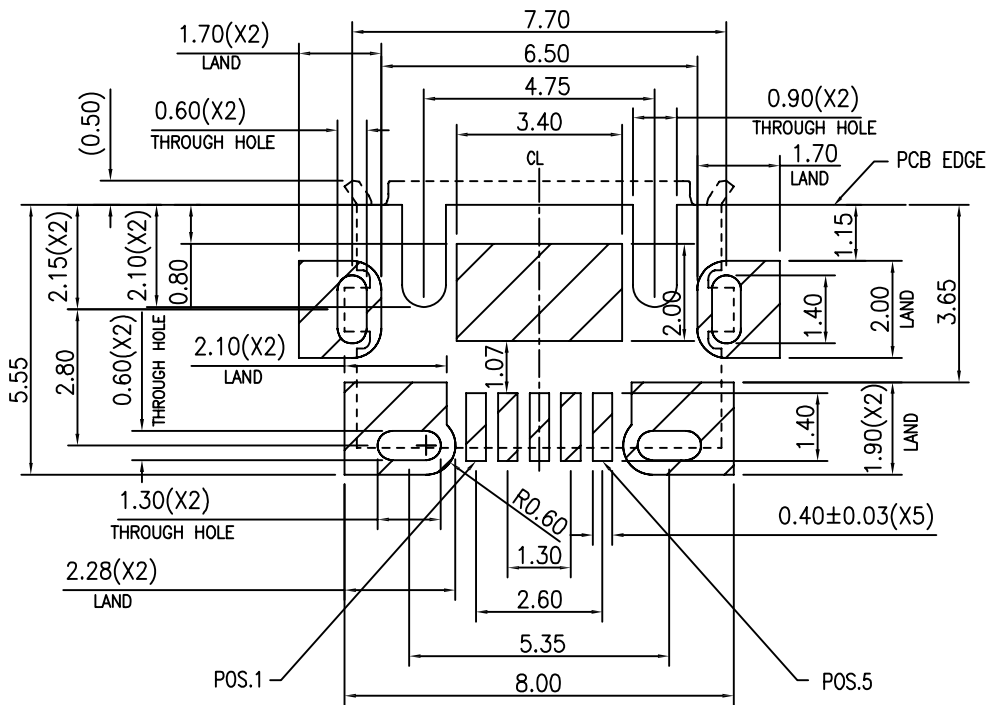
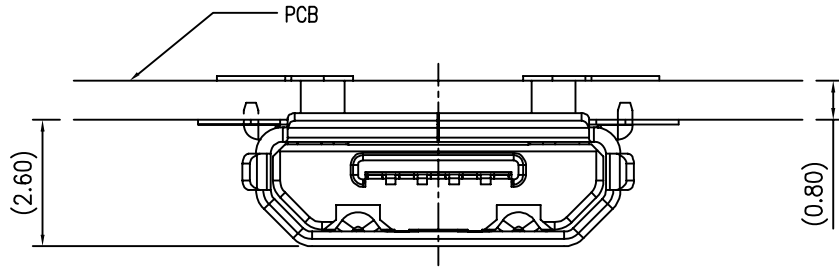


RevNo	Revision note	Date	Signature	Checked
A	NEW RELEASE	05-07-12		



GENERAL TOLERANCES ( UNLESS SPECIFIED ) DIMENSION STYLE : MM < INCH >		FINISH SEE NOTES			
		MATERIAL SEE NOTES			
4 PLACES	± ---	± ---	DRAWN BY	DATE	TITLE MICRO USB 5P, SERIES B, FEMALE, SOLDER TYPE, SMT
3 PLACES	± 0.05	± ---	R. Ly	05-07-12	
2 PLACES	± 0.13	± 0.5°	CHECKED BY	DATE	SIZE A4
1 PLACES	± 0.25	± 1.0°	A. TENG	05-07-12	DRAWING NO. MCB003-5KX-XX
0 PLACES	± 0.38	± 2.0°	APPROVED BY	DATE	SCALE NONE
THIRD ANGLE PROJECTION		---		SHEET 1 OF 2	
				REV. A	

RevNo	Revision note	Date	Signature	Checked
A	NEW RELEASE	05-07-12		



**NOTE:**

**1.0 Electrical Specification:**

**1.1 Contact Resistance:**

Initial: 30 mΩ Maximum

After Durability: Change(detail)of +10m Ω

**1.2 Insulation Resistance:**

Initial: 100 MΩ Minimum.

After testing: 100 MΩ Minimum.

**1.3 Dielectric withstanding Voltage:**

100V AC for one minute.

**2.0 Mechanical Specification:**

**2.1 Mating Force:**

Initial: 35N Maximum

After durability: 35N Maximum

**2.2 Unmating Force:**

Initial: 8N Minimum

After durability: 8N Minimum

**2.3 Durability:**

10000 cycles (rated: 500cycles/hours).

**3.0 D/C NO: T XX XX**

① ②

① YEAR: YEAR CODE

XX: EG 2011 YEAR, "XX" WITH "11"

② WEEK: CYCLE CODE

XX: EG 01/05/2011, "XX" WITH "01";  
01/10/2011, "XX" WITH "02"

**1. MATERIALS :**

HOUSING : LCP E130i UL94V-0

CONTACT : PHOSPHOR BRONZE, T=0.15mm

FRONT SHELL : STAINLESS STEEL, T=0.30mm

**2. PART NO. CODE:**

MCB003 - 5 K X - X X  
① ② ③ ④ ⑤ ⑥

① SERIES:

MCB003: MICRO USB 2.0, FEMALE,  
SOLDER TYPE (B TYPE)

② POSITIONS:

5: 5 POSITIONS

③ INSULATOR COLOR:

K: BLACK

W: WHITE

C: CREAM

④ CONTACT PLATING:

1: Au 1u"

2: Au 3~5u"

4: Au 15u"

5: Au 30u"

⑤ ENVIRONMENT:

O: RoHS

H: HALOGEN FREE

⑥ WAY OF PACKING:

T: TRAY

R: TAPE & REEL

B: WATERPROOF BAG

RECOMMENDED P.C.B. LAYOUT TOLERANCE ±0.05mm

**BILL OF MATERIAL :**

ITEM	PART NAME	Q'TY	MATERIAL	PLATING
4	INS. PASTER	P	N/A	N/A
3	CONTACT	5	PHOSPHON BRONZE	PLATING GOLD
2	FRONT SHELL	1	STAINLESS STEEL	PLATING TIN
1	HOUSING	1	THERMOPLASTIC	N/A

GENERAL TOLERANCES  
( UNLESS SPECIFIED )

DIMENSION STYLE : MM < INCH >

	MM	ANGLE°
4 PLACES	± ---	± ---
3 PLACES	± 0.05	± ---
2 PLACES	± 0.13	± 0.5°
1 PLACES	± 0.25	± 1.0°
0 PLACES	± 0.38	± 2.0°



THIRD ANGLE  
PROJECTION

FINISH  
SEE NOTES

MATERIAL  
SEE NOTES

DRAWN BY DATE  
R. Ly 05-07-12

CHECKED BY DATE  
A. TENG 05-07-12

APPROVED BY DATE  
--- ---



TITLE  
MICRO USB 5P, SERIES B,  
FEMALE, SOLDER TYPE, SMT

SIZE A4 DRAWING NO.  
MCB003-5KX-XX

SCALE NONE SHEET 2 OF 2 REV. A