

RevNo	Revision note	Date	Signature	Checked
B	REVISED THE TITLE BLOCK	04-24-12		

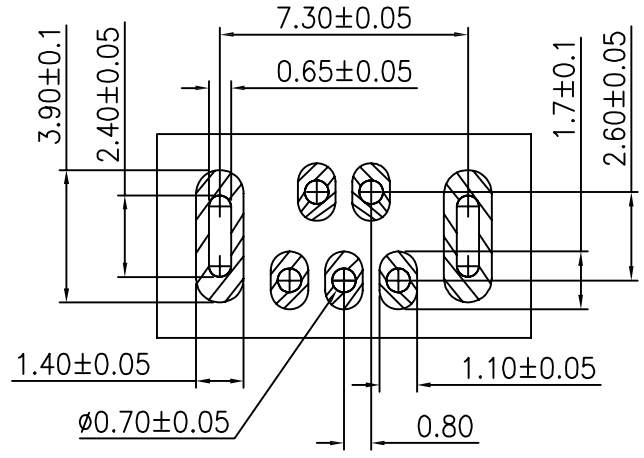
NOTES:

- MATERIAL:
  - HOUSING: PA9T UL94V-0
  - CONTACT: PHOSPHOR BRONZE, T=0.25±0.01mm
  - SHELL: BRASS, T=0.40±0.01mm
- CONTACT PLATING:
  - NICKEL UNDERPLATING OVER ALL
  - GOLD PLATING AT CONTACT AREA
  - GOLD FLASH AT SOLDERING AREA
- SHELL PLATING: NICKEL
- ELECTRICAL PERFORMANCES:
  - RATED VOLTAGE: 30V AC (R.M.S)
  - CONTACT RESISTANCE: 50 mΩ MAX.
  - INSULATION RESISTANCE: 100 MΩ MIN.
  - DIELECTRIC WHISTANDING VOLTAGE: 100V AC FOR 1 MINUTE
- MECHANICAL SPECIFICATION:
  - MATING FORCE:
    - INITIAL: 35N MAXIMUM
    - AFTER DURABILITY: 35N MAXIMUM
  - UNMATING FORCE:
    - INITIAL 7N MINIMUM
    - AFTER DURABILITY: 3N MINIMUM
  - DURABILITY: 5000 CYCLES

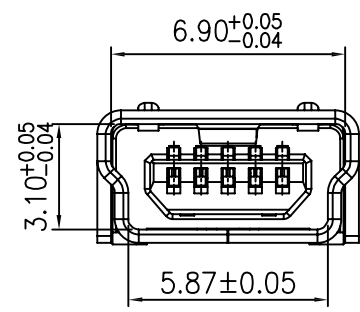
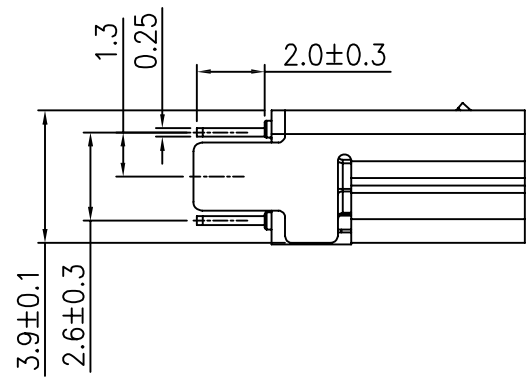
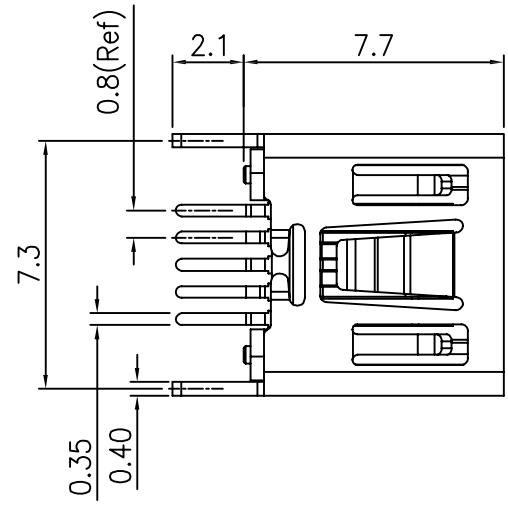
PART NO. CODE:

MUB001 - 5 X X - X X  
 ① ②③④ ⑤⑥

- ① SERIES: MINI USB CONNECTOR, FEMALE, VERTICAL
- ② POSITIONS: 5: 5 POSITIONS
- ③ INSULATOR COLOR: N: NATURE, K: BLACK
- ④ CONTACT PLATING: 1: Au 1u", 2: Au 3~5u", 4: Au 15u", 5: Au 30u"
- ⑤ ENVIRONMENT: O: RoHS, H: HALOGEN FREE
- ⑥ WAY OF PACKING: T: TRAY, R: TAPE & REEL, B: WATERPROOF BAG



RECOMMENDED PCB LAYOUT



GENERAL TOLERANCES ( UNLESS SPECIFIED ) DIMENSION STYLE : MM < INCH >	MM	ANGLE*	FINISH	SEE NOTES				
	4 PLACES	± ---	± ---	MATERIAL		SEE NOTES		
	3 PLACES	± 0.05	± ---	DRAWN BY	DATE	TITLE MINI USB 5P, SERIES B, FEMALE, VERTICAL, THRU-HOLE TYPE		
	2 PLACES	± 0.13	± 0.5°	R. Ly	04-24-12			
1 PLACES	± 0.25	± 1.0°	CHECKED BY	DATE	SIZE	DRAWING NO.		
0 PLACES	± 0.38	± 2.0°	A. TENG	04-24-12	A4	MUB001-5XX-XX		
THIRD ANGLE PROJECTION			APPROVED BY	DATE	SCALE	SHEET	1 OF 1	REV.
			---	---	NONE			B