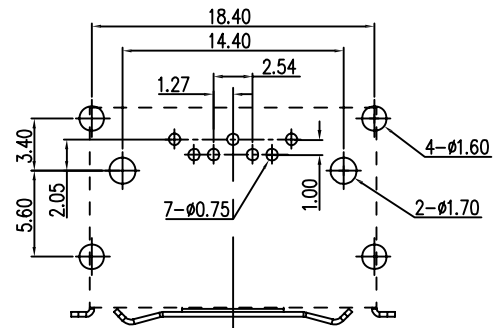
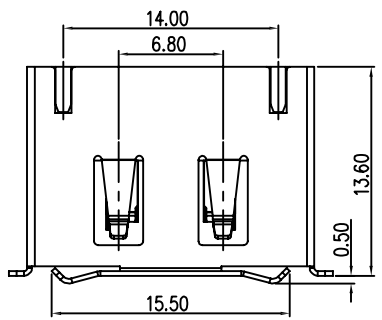
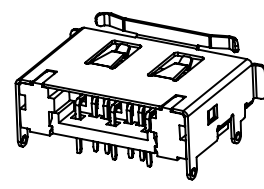


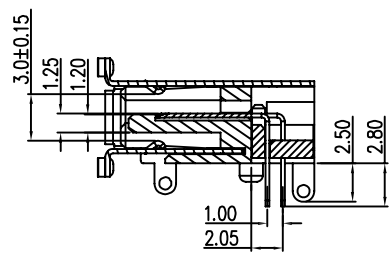
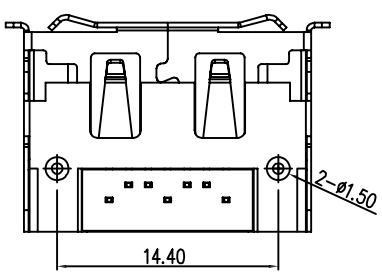
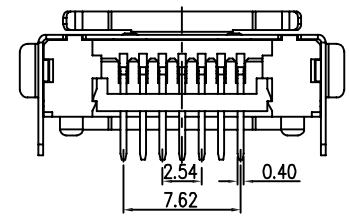
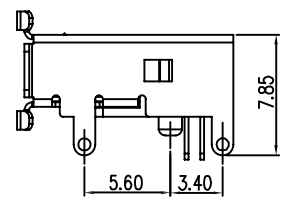
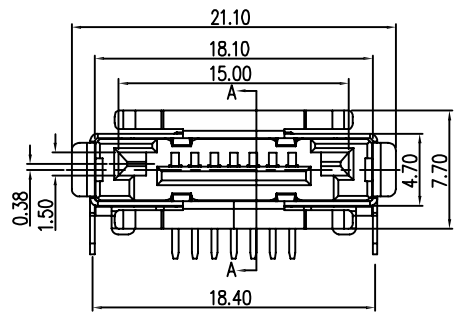
RevNo	Revision note	Date	Signature	Checked
A	NEW RELEASE	01-26-12		



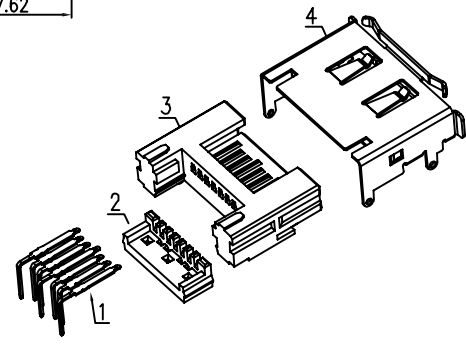
RECOMMENDED PCB LAYOUT



- NOTE:
- MATERIAL :**
 HOUSING : THERMOPLASTIC, UL 94V-0
 BACK HOUSING : THERMOPLASTIC, UL 94V-0
 CONTACT : BRASS, T=0.25mm
 OUTER SHELL : BRASS, T=0.30mm
 - CONTACT PLATING :**
 NICKEL UNDERPLATING OVER ALL
 GOLD PLATING AT CONTACT AREA
 TIN PLATING AT SOLDERING AREA
 - ELECTRICAL :**
 CURRENT RATING : 1.5AMP
 OPERATION VOLTAGE : 100V AC Max.
 WITHSTAND VOLTAGE : 500V AC FOR 1 MINUTE
 CONTACT RESISTANCE : 30 mohms Max.
 INSULATION RESISTANCE : 1000 Mohms Min.
 - MECHANICAL :**
 INSERTION FORCE : 40N Max.
 WITHDRAWAL FORCE : 10N Min.
 DURABILITY : 2500 CYCLES



SECTION A-A
SCALE 1:1



PART NO. CODE:
 SAT005 - 7 K X - X X
 ① ② ③ ④ ⑤ ⑥

- SERIES:**
 SAT005: SATA CONNECTOR,
 R/A DIP TYPE
- POSITIONS:**
 7: 7 POSITIONS
- INSULATOR COLOR:**
 K: BLACK
 W: WHITE
- CONTACT PLATING:**
 1: Au 1u"
 2: Au 3~5u"
 4: Au 15u"
 5: Au 30u"
- ENVIRONMENT:**
 O: RoHS
 H: HALOGEN FREE
- WAY OF PACKING:**
 T: TRAY
 R: TAPE & REEL
 B: WATERPROOF BAG

BILL OF MATERIAL :

ITEM	PART NAME	Q'TY/EA	MATERIAL	PLATING
4	OUTER SHELL	1	BRASS	NICKEL PLATING
3	HOUSING	1	THERMOPLASTIC	N/A
2	COVER	1	THERMOPLASTIC	N/A
1	CONTACT	7	BRASS	AU OVER Ni

GENERAL TOLERANCES (UNLESS SPECIFIED) DIMENSION STYLE : MM < INCH >		FINISH SEE NOTES	
	MM	ANGLE°	MATERIAL SEE NOTES
4 PLACES	± 0.10	± 0.5°	DRAWN BY R. Ly
3 PLACES	± 0.20	± 1.0°	DATE 01-26-12
2 PLACES	± 0.30	± 2.0°	CHECKED BY A. TENG
1 PLACES	± 0.40		DATE 01-26-12
0 PLACES			APPROVED BY ---
THIRD ANGLE PROJECTION		DATE ---	



TITLE SATA CONNECTOR 7P, R/A DIP TYPE			
SIZE A4	DRAWING NO. SAT005-7KX-XX		
SCALE NONE	SHEET 1	OF 1	REV. A