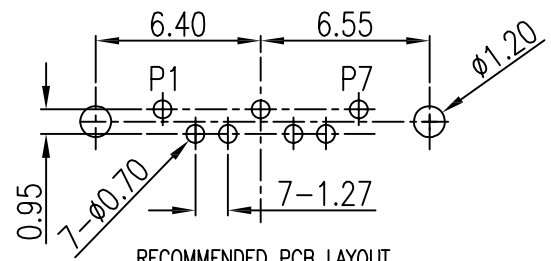
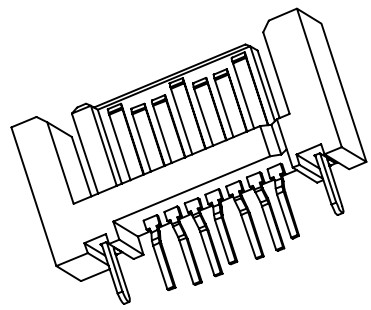
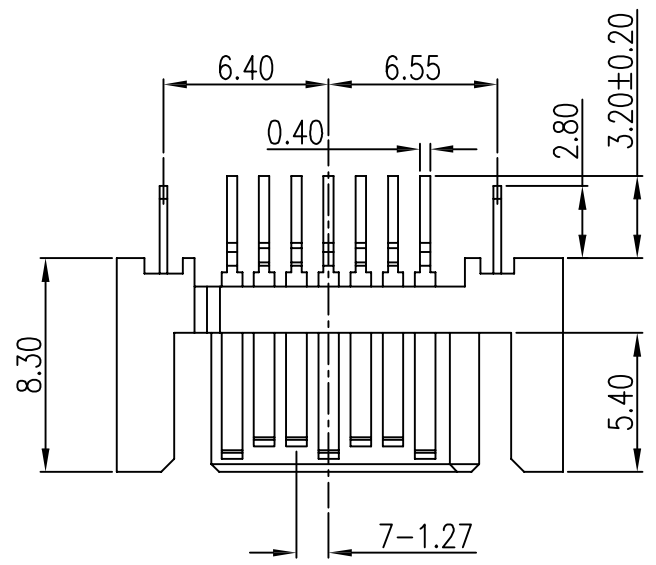
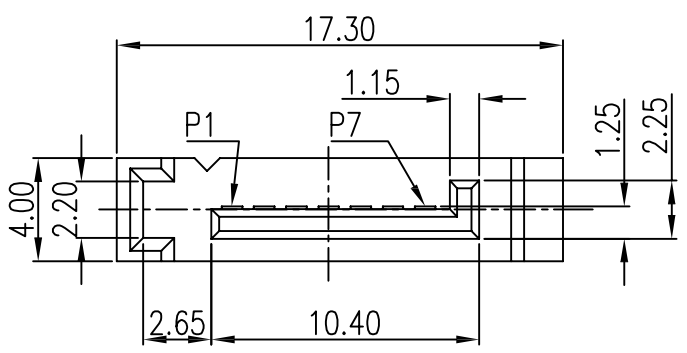
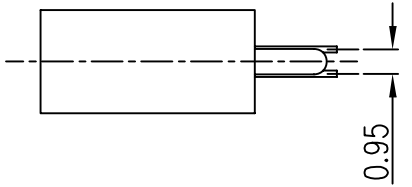


RevNo	Revision note	Date	Signature	Checked
A	NEW RELEASE	02-27-12		



RECOMMENDED PCB LAYOUT
(TOP VIEW)



NOTES:

- MATERIAL:**
HOUSING: LCP., UL 94V-0
CONTACT: BRASS, C2680R-H, T=0.25mm
BOARD LOCK: BRASS, C2680R-H, T=0.30mm
 - CONTACT PLATING:**
NICKEL UNDERPLATING OVER ALL
GOLD PLATING AT CONTACT AREA
TIN FLASH AT SOLDERING AREA
 - COPLANARITY OF SMT TERMINAL IS 0.10MAX.**
 - ELECTRICAL:**
CURRENT RATING: 1.5 AMPERES MAXIMUM @ PER PIN.
CONTACT RESISTANCE: 30mohm MAX. INITIALLY, & 40 mohm MAX. AFTER LIFE TESTING.
INSULATION RESISTANCE: 1000 OHMS MINIMUM.
DIELECTRIC WITHSTANDING VOLTAGE: 500 VAC AT SEA LEVEL.
- PART NO. CODE
SAT025 - 7 * * * - * *
- ① SERIES: SAT025: SATA CONNECTOR T/H TYPE
② POSITIONS: 7: 7 POSITIONS.
③ INSULATOR COLOR: K : BLACK W : WHITE
④ CONTACT PLATING: 1: Au 1u" 2: Au 3~5u" 4: Au 15u" 5: Au 30u"
⑤ ENVIRONMENT: 0: RoHS H: HALOGEN FREE
⑥ WAY OF PACKING: T: TRAY A: TAPE & REEL B: WATERPROOF BAG

BILL OF MATERIAL :

ITEM	PART NAME	Q'TY	MATERIAL	PLATING
3	BOARD LOCK	2	BRASS	TIN
2	HOUSING	1	LCP	N/A
1	CONTACT	7	BRASS	PLATING GOLD

GENERAL TOLERANCES (UNLESS SPECIFIED) DIMENSION STYLE : MM < INCH >	
	ANGLE°
4 PLACES	± --- ± ---
3 PLACES	± 0.05 ± ---
2 PLACES	± 0.13 ± 0.5°
1 PLACES	± 0.25 ± 1.0°
0 PLACES	± 0.38 ± 2.0°
THIRD ANGLE PROJECTION	

FINISH	SEE NOTES
MATERIAL	SEE NOTES
DRAWN BY	DATE
R. Ly	02-27-12
CHECKED BY	DATE
A. TENG	02-27-12
APPROVED BY	DATE
---	---

PALCONN	
TITLE SATA 7P CONNECTOR, MALE, THRU-HOLE TYPE	
SIZE A4	DRAWING NO. SAT025-7XX-XX
SCALE NONE	SHEET 1 OF 1 REV. A