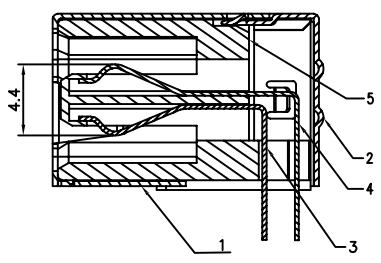
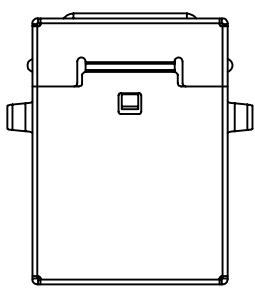


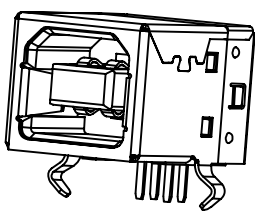
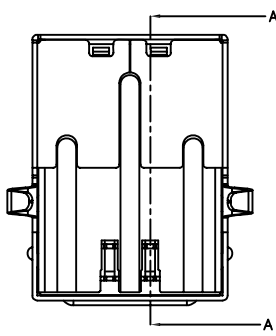
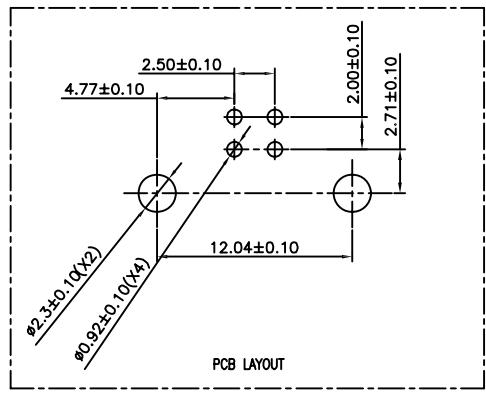
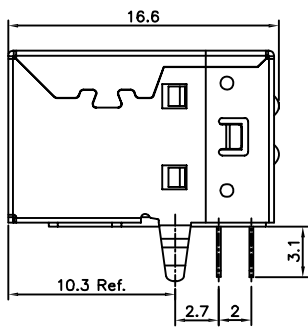
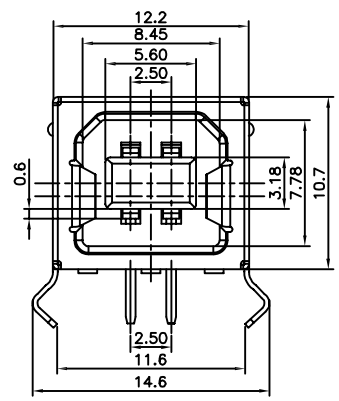
RevNo	Revision note	Date	Signature	Checked
B	REVISED THE TITLE BLOCK	04-25-12		

NOTES:

- MATERIAL:**
HOUSING: THERMOPLASTIC
LONG CONTACT: BRASS
SHORT CONTACT: BRASS
BACK SHELL: SPCC
FRONT SHELL: BRASS
 - CONTACT PLATING:**
NICKEL UNDERPLATING OVER ALL
GOLD PLATING AT CONTACT AREA
TIN PLATING AT SOLDERING AREA
SHELL PLATING: NICKEL
 - ELECTRICAL:**
CURRENT RATING: 1.5A AT 250 VAC MIN
CONTACT RESISTANCE: 30mΩ MAX
INSULATION RESISTANCE: 1000MΩ MIN
DIELECTRIC WITHSTANDING VOLTAGE: 500V AC FOR 1 MINUTE
 - PART NUMBER CODING:**
U2B005 -4 K X - X X
① ②③④ ⑤⑥
- SERIES:**
USB005: USB CONNECTOR, SERIES B, R/A, THRU-HOLE
 - POSITIONS:**
4: 4 POSITIONS
 - INSULATOR COLOR:**
K: BLACK
W: WHITE
B: BLUE
C: CREAM-COLOR
 - CONTACT PLATING:**
1: Au 1u"
2: Au 3-5u"
3: Au 15u"
4: Au 30u"
 - ENVIRONMENT**
D: RoHS
H: HALOGEN FREE
 - WAY OF PACKING**
T: TRAY
R: TAPE & REEL
B: WATERPROOF BAG




SECTION A-A



5	HOUSING	1	THERMOPLASTIC	N/A
4	LONG CONTACT	2	BRASS	GOLD PLATING
3	SHORT CONTACT	2	BRASS	GOLD PLATING
2	BACK SHELL	1	SPCC	NICKEL PLATING
1	FRONT SHELL	1	BRASS	NICKEL PLATING
ITEM	PART NAME	Q'TY/EA	MATERIAL	PLATING

GENERAL TOLERANCES (UNLESS SPECIFIED) DIMENSION STYLE : MM < INCH >	
	MM INCH
4 PLACES	± --- ± ---
3 PLACES	± 0.05 ± ---
2 PLACES	± 0.13 ± 0.5°
1 PLACES	± 0.25 ± 1.0°
0 PLACES	± 0.38 ± 2.0°
ANGULAR* ±5°	
THIRD ANGLE PROJECTION	

FINISH	SEE NOTES
MATERIAL	SEE NOTES
DRAWN BY	DATE
R. LY	04-25-12
CHECKED BY	DATE
---	---
APPROVED BY	DATE
---	---



TITLE		USB 2.0, 4P SERIES B, FEMALE, R/A, THROUGH-HOLE TYPE	
SIZE	A4	DRAWING NO.	U2B005-4KX-XX
SCALE	NONE	SHEET	1 OF 1
REV.	B		

A B C D E F G H

A B C D E F G H