

## UM4-S3-4X03L-I (Preliminary)

Dual Bi-directional SFP  
Gigabit Ethernet / 2x Fiber Channel  
Tx 1310nm / Rx1550 nm

*RoHS Compliant*

[www.palconnusa.com](http://www.palconnusa.com)

### Description

PALCONN high density solution in CO site, the UM4-S3-4X03L-I is a special design for double space again from small form factor pluggable (SFP) transceiver. It is a high performance, low cost solution in optical fiber communication, which consists of 2 LC receptacle Bi-Directional modules. With this solution, it is easier to optimize not only space in CO site to allocate space for more other different applications and extend double bandwidth, but extend bandwidth as double. Save more cost in chassis and switch.



### Features

- Dual LC Connector
- 1310 nm Transmitter
- 1550 nm Receiver
- Distance Up to 10 km / 20 km / 40 km (by different module)
- DDMI function supplied
- Single +3.3 V Power Supply
- LVPECL Differential Inputs and Outputs
- LVTTTL Signal Detection Output
- Class 1 Laser international Safety Standard IEC 825 Compliant
- Optical Isolation > 30 dB
- Cross Talk < -40 dB
- AC / AC Inputs and Outputs
- RoHS Compliance
- Compact SFP MSA-PIN assigns Option 2 compliance.

### Applications

- WDM 1.25 Gb/s Links
- SONET/SDH Equipment Interconnect
- Fiber channel

### Laser Safety

This single-mode transceiver is a Class 1 laser product. It complies with IEC 825 and FDA 21 CFR 1040.10 and 1040.11. The transceiver must be operated within the specified temperature and voltage limits. The optical ports of the module shall be terminated with an optical connector or with a dust plug.

## UM4-S3-4X03L-I (Preliminary)

Dual Bi-directional SFP  
Gigabit Ethernet / 2x Fiber Channel  
Tx 1310nm / Rx1550 nm

RoHS Compliant

[www.palconnusa.com](http://www.palconnusa.com)

### Ordering Information

U	M	4	-	S	3	-	4	X	0	3	L	-	I																																																																																																																																																																														
a	b			X			c		d	e	f		g		h																																																																																																																																																																												
<table border="1"> <tr> <td rowspan="6">Function parameter</td> <td>P:</td> <td colspan="16">may be Blank, or 000~999→ Pigtail length ( unit : cm )</td> </tr> <tr> <td>C:</td> <td colspan="16">may be Blank, or 0~9 → Case Color ( 1: Blue )</td> </tr> <tr> <td>B:</td> <td colspan="16">Case Color Black + Shield Backward</td> </tr> <tr> <td>S:</td> <td colspan="16">F: Case Color Black + Shield Forward</td> </tr> <tr> <td>X:</td> <td colspan="16">Case Color Black +Shield</td> </tr> <tr> <td>0:</td> <td colspan="16">Case Color Blue + Shield Backward(Non Lead pin)</td> </tr> <tr> <td>1:</td> <td colspan="16">Case Color Blue + Shield Forward</td> </tr> <tr> <td>W:</td> <td colspan="16">2: Case Color Blue + Shield Backward ,Lead pin X 6 (TB Half Shield ,Lead pin X 6)</td> </tr> <tr> <td>3:</td> <td colspan="16">Case Color Blue + Full Shield Backward,Lead pin X 4</td> </tr> <tr> <td>4:</td> <td colspan="16">Case Color Black + Full Shield Backward,Lead pin X 6</td> </tr> </table>																	Function parameter	P:	may be Blank, or 000~999→ Pigtail length ( unit : cm )																C:	may be Blank, or 0~9 → Case Color ( 1: Blue )																B:	Case Color Black + Shield Backward																S:	F: Case Color Black + Shield Forward																X:	Case Color Black +Shield																0:	Case Color Blue + Shield Backward(Non Lead pin)																1:	Case Color Blue + Shield Forward																W:	2: Case Color Blue + Shield Backward ,Lead pin X 6 (TB Half Shield ,Lead pin X 6)																3:	Case Color Blue + Full Shield Backward,Lead pin X 4																4:	Case Color Black + Full Shield Backward,Lead pin X 6															
Function parameter	P:	may be Blank, or 000~999→ Pigtail length ( unit : cm )																																																																																																																																																																																									
	C:	may be Blank, or 0~9 → Case Color ( 1: Blue )																																																																																																																																																																																									
	B:	Case Color Black + Shield Backward																																																																																																																																																																																									
	S:	F: Case Color Black + Shield Forward																																																																																																																																																																																									
	X:	Case Color Black +Shield																																																																																																																																																																																									
	0:	Case Color Blue + Shield Backward(Non Lead pin)																																																																																																																																																																																									
1:	Case Color Blue + Shield Forward																																																																																																																																																																																										
W:	2: Case Color Blue + Shield Backward ,Lead pin X 6 (TB Half Shield ,Lead pin X 6)																																																																																																																																																																																										
3:	Case Color Blue + Full Shield Backward,Lead pin X 4																																																																																																																																																																																										
4:	Case Color Black + Full Shield Backward,Lead pin X 6																																																																																																																																																																																										
<table border="1"> <tr> <td>Function distinction</td> <td colspan="16">may be Blank, or P ( P→ Pigtail ),or C(Case Color),or S ( S→ Shield ) , or W ( W→ Composite Specifications ) , or F ( F→POF ), or I(I→DDMI)</td> </tr> </table>																	Function distinction	may be Blank, or P ( P→ Pigtail ),or C(Case Color),or S ( S→ Shield ) , or W ( W→ Composite Specifications ) , or F ( F→POF ), or I(I→DDMI)																																																																																																																																																																									
Function distinction	may be Blank, or P ( P→ Pigtail ),or C(Case Color),or S ( S→ Shield ) , or W ( W→ Composite Specifications ) , or F ( F→POF ), or I(I→DDMI)																																																																																																																																																																																										
<table border="1"> <tr> <td rowspan="12">Potential energy &amp; temperature</td> <td>A→AC/AC</td> <td>PECL</td> <td>0℃~70℃</td> <td>I→AC/AC</td> <td>PECL</td> <td>0℃~70℃</td> <td>RoHS</td> </tr> <tr> <td>B→AC/AC</td> <td>PECL</td> <td>-40℃~85℃</td> <td>J→AC/AC</td> <td>PECL</td> <td>-40℃~85℃</td> <td>RoHS</td> </tr> <tr> <td>C→AC/AC</td> <td>TTL</td> <td>0℃~70℃</td> <td>K→AC/AC</td> <td>TTL</td> <td>0℃~70℃</td> <td>RoHS</td> </tr> <tr> <td>D→AC/AC</td> <td>TTL</td> <td>-40℃~85℃</td> <td>L→AC/AC</td> <td>TTL</td> <td>-40℃~85℃</td> <td>RoHS</td> </tr> <tr> <td>E→DC/DC</td> <td>PECL</td> <td>0℃~70℃</td> <td>M→DC/DC</td> <td>PECL</td> <td>0℃~70℃</td> <td>RoHS</td> </tr> <tr> <td>F→DC/DC</td> <td>PECL</td> <td>-40℃~85℃</td> <td>N→DC/DC</td> <td>PECL</td> <td>-40℃~85℃</td> <td>RoHS</td> </tr> <tr> <td>G→DC/DC</td> <td>TTL</td> <td>0℃~70℃</td> <td>O→DC/DC</td> <td>TTL</td> <td>0℃~70℃</td> <td>RoHS</td> </tr> <tr> <td>H→DC/DC</td> <td>TTL</td> <td>-40℃~85℃</td> <td>P→DC/DC</td> <td>TTL</td> <td>-40℃~85℃</td> <td>RoHS</td> </tr> <tr> <td>Q→AC/AC</td> <td>TTL</td> <td>-10℃~85℃</td> <td>RoHS</td> <td>R→DC/DC</td> <td>PECL</td> <td>-10℃~85℃</td> <td>RoHS</td> </tr> <tr> <td>W→DC/AC</td> <td>TTL</td> <td>0℃~70℃</td> <td>RoHS</td> <td>X→DC/AC</td> <td>TTL</td> <td>-40℃~85℃</td> <td>RoHS</td> </tr> </table>																	Potential energy & temperature	A→AC/AC	PECL	0℃~70℃	I→AC/AC	PECL	0℃~70℃	RoHS	B→AC/AC	PECL	-40℃~85℃	J→AC/AC	PECL	-40℃~85℃	RoHS	C→AC/AC	TTL	0℃~70℃	K→AC/AC	TTL	0℃~70℃	RoHS	D→AC/AC	TTL	-40℃~85℃	L→AC/AC	TTL	-40℃~85℃	RoHS	E→DC/DC	PECL	0℃~70℃	M→DC/DC	PECL	0℃~70℃	RoHS	F→DC/DC	PECL	-40℃~85℃	N→DC/DC	PECL	-40℃~85℃	RoHS	G→DC/DC	TTL	0℃~70℃	O→DC/DC	TTL	0℃~70℃	RoHS	H→DC/DC	TTL	-40℃~85℃	P→DC/DC	TTL	-40℃~85℃	RoHS	Q→AC/AC	TTL	-10℃~85℃	RoHS	R→DC/DC	PECL	-10℃~85℃	RoHS	W→DC/AC	TTL	0℃~70℃	RoHS	X→DC/AC	TTL	-40℃~85℃	RoHS																																																																																																		
Potential energy & temperature	A→AC/AC	PECL	0℃~70℃	I→AC/AC	PECL	0℃~70℃	RoHS																																																																																																																																																																																				
	B→AC/AC	PECL	-40℃~85℃	J→AC/AC	PECL	-40℃~85℃	RoHS																																																																																																																																																																																				
	C→AC/AC	TTL	0℃~70℃	K→AC/AC	TTL	0℃~70℃	RoHS																																																																																																																																																																																				
	D→AC/AC	TTL	-40℃~85℃	L→AC/AC	TTL	-40℃~85℃	RoHS																																																																																																																																																																																				
	E→DC/DC	PECL	0℃~70℃	M→DC/DC	PECL	0℃~70℃	RoHS																																																																																																																																																																																				
	F→DC/DC	PECL	-40℃~85℃	N→DC/DC	PECL	-40℃~85℃	RoHS																																																																																																																																																																																				
	G→DC/DC	TTL	0℃~70℃	O→DC/DC	TTL	0℃~70℃	RoHS																																																																																																																																																																																				
	H→DC/DC	TTL	-40℃~85℃	P→DC/DC	TTL	-40℃~85℃	RoHS																																																																																																																																																																																				
	Q→AC/AC	TTL	-10℃~85℃	RoHS	R→DC/DC	PECL	-10℃~85℃	RoHS																																																																																																																																																																																			
	W→DC/AC	TTL	0℃~70℃	RoHS	X→DC/AC	TTL	-40℃~85℃	RoHS																																																																																																																																																																																			
	<table border="1"> <tr> <td>Operating voltage</td> <td colspan="8">3→3.3V</td> <td colspan="8">5→5V</td> </tr> </table>																	Operating voltage	3→3.3V								5→5V																																																																																																																																																																
	Operating voltage	3→3.3V								5→5V																																																																																																																																																																																	
<table border="1"> <tr> <td>Distance</td> <td colspan="4">D1~D9 : D1→100M, D2→200M</td> <td colspan="4">01~99 : 01→1km, 10→10km</td> <td colspan="4">00→100km</td> </tr> </table>																	Distance	D1~D9 : D1→100M, D2→200M				01~99 : 01→1km, 10→10km				00→100km																																																																																																																																																																	
Distance	D1~D9 : D1→100M, D2→200M				01~99 : 01→1km, 10→10km				00→100km																																																																																																																																																																																		
<table border="1"> <tr> <td>Optical connector</td> <td colspan="4">1→FC</td> <td colspan="4">2→SC</td> <td colspan="4">3→ST</td> <td colspan="4">4→LC</td> </tr> </table>																	Optical connector	1→FC				2→SC				3→ST				4→LC																																																																																																																																																													
Optical connector	1→FC				2→SC				3→ST				4→LC																																																																																																																																																																														
<table border="1"> <tr> <td rowspan="3">Wavelength</td> <td colspan="4">M3→Multi-mode 850 nm</td> <td colspan="4">S1→Single-mode 1310 nm</td> <td colspan="4">S3→For Bi-direction : Single-mode Tx1310 / Rx1550 nm</td> </tr> <tr> <td colspan="4">M4→Multi-mode 1310 nm</td> <td colspan="4">S2→Single-mode 1550 nm</td> <td colspan="4">S4→For Bi-direction : Single-mode Tx1550 / Rx1310 nm</td> </tr> <tr> <td colspan="8">00~99 (CWDM Wavelength) : 47 → 1470 nm , 61 → 1610 nm</td> <td colspan="4">S5→For Bi-direction : Single-mode Tx1310 / Rx1490 nm</td> <td colspan="4">S6→For Bi-direction : Single-mode Tx1490 / Rx1310nm</td> </tr> </table>																	Wavelength	M3→Multi-mode 850 nm				S1→Single-mode 1310 nm				S3→For Bi-direction : Single-mode Tx1310 / Rx1550 nm				M4→Multi-mode 1310 nm				S2→Single-mode 1550 nm				S4→For Bi-direction : Single-mode Tx1550 / Rx1310 nm				00~99 (CWDM Wavelength) : 47 → 1470 nm , 61 → 1610 nm								S5→For Bi-direction : Single-mode Tx1310 / Rx1490 nm				S6→For Bi-direction : Single-mode Tx1490 / Rx1310nm																																																																																																																																					
Wavelength	M3→Multi-mode 850 nm				S1→Single-mode 1310 nm				S3→For Bi-direction : Single-mode Tx1310 / Rx1550 nm																																																																																																																																																																																		
	M4→Multi-mode 1310 nm				S2→Single-mode 1550 nm				S4→For Bi-direction : Single-mode Tx1550 / Rx1310 nm																																																																																																																																																																																		
	00~99 (CWDM Wavelength) : 47 → 1470 nm , 61 → 1610 nm								S5→For Bi-direction : Single-mode Tx1310 / Rx1490 nm				S6→For Bi-direction : Single-mode Tx1490 / Rx1310nm																																																																																																																																																																														
<table border="1"> <tr> <td rowspan="2">Bit rate</td> <td colspan="4">1→155Mbps</td> <td colspan="4">3→1.0625Gbps</td> <td colspan="4">5→2.125 Gbps</td> <td colspan="4">7→2.7 Gbps</td> </tr> <tr> <td colspan="4">2→622Mbps</td> <td colspan="4">4→1.25 Gbps</td> <td colspan="4">6→2.5 Gbps</td> <td colspan="4">8→3.125 Gbps</td> </tr> </table>																	Bit rate	1→155Mbps				3→1.0625Gbps				5→2.125 Gbps				7→2.7 Gbps				2→622Mbps				4→1.25 Gbps				6→2.5 Gbps				8→3.125 Gbps																																																																																																																																													
Bit rate	1→155Mbps				3→1.0625Gbps				5→2.125 Gbps				7→2.7 Gbps																																																																																																																																																																														
	2→622Mbps				4→1.25 Gbps				6→2.5 Gbps				8→3.125 Gbps																																																																																																																																																																														
<table border="1"> <tr> <td rowspan="6">Electric connector</td> <td colspan="4">TR→Dual Fiber 1×9 Transceiver</td> <td colspan="4">FB→Single Fiber SFF Transceiver</td> <td colspan="4">EUFB→ EPON ONU SFF 2×5 BIDI Transceiver</td> </tr> <tr> <td colspan="4">TB→Single Fiber 1×9 Transceiver</td> <td colspan="4">PT→Dual Fiber SFP Transceiver</td> <td colspan="4">ETFB→ EPON OLT SFF 2×5 BIDI Transceiver</td> </tr> <tr> <td colspan="4">FT→Dual Fiber SFP Transceiver</td> <td colspan="4">PB→Single Fiber SFP Transceiver</td> <td colspan="4">GUFB→ GPON ONU SFF 2×5 BIDI Transceiver</td> </tr> <tr> <td colspan="8">UB→Dual Bi-Direction SFP Transceiver (OM PIN Assignment)</td> <td colspan="4">GTFB→ GPON OLT SFF 2×5 BIDI Transceiver</td> </tr> <tr> <td colspan="8">UM→Dual Bi-Direction SFP Transceiver(CSFP MSA)</td> <td colspan="4">GUFM→GPON OLT SFF 2×5 BIDI Transceiver(DDMI)</td> </tr> <tr> <td colspan="8">PM→Dual Fiber SFP Transceiver ( with optical monitor )</td> <td colspan="4"></td> </tr> </table>																	Electric connector	TR→Dual Fiber 1×9 Transceiver				FB→Single Fiber SFF Transceiver				EUFB→ EPON ONU SFF 2×5 BIDI Transceiver				TB→Single Fiber 1×9 Transceiver				PT→Dual Fiber SFP Transceiver				ETFB→ EPON OLT SFF 2×5 BIDI Transceiver				FT→Dual Fiber SFP Transceiver				PB→Single Fiber SFP Transceiver				GUFB→ GPON ONU SFF 2×5 BIDI Transceiver				UB→Dual Bi-Direction SFP Transceiver (OM PIN Assignment)								GTFB→ GPON OLT SFF 2×5 BIDI Transceiver				UM→Dual Bi-Direction SFP Transceiver(CSFP MSA)								GUFM→GPON OLT SFF 2×5 BIDI Transceiver(DDMI)				PM→Dual Fiber SFP Transceiver ( with optical monitor )																																																																																																													
Electric connector	TR→Dual Fiber 1×9 Transceiver				FB→Single Fiber SFF Transceiver				EUFB→ EPON ONU SFF 2×5 BIDI Transceiver																																																																																																																																																																																		
	TB→Single Fiber 1×9 Transceiver				PT→Dual Fiber SFP Transceiver				ETFB→ EPON OLT SFF 2×5 BIDI Transceiver																																																																																																																																																																																		
	FT→Dual Fiber SFP Transceiver				PB→Single Fiber SFP Transceiver				GUFB→ GPON ONU SFF 2×5 BIDI Transceiver																																																																																																																																																																																		
	UB→Dual Bi-Direction SFP Transceiver (OM PIN Assignment)								GTFB→ GPON OLT SFF 2×5 BIDI Transceiver																																																																																																																																																																																		
	UM→Dual Bi-Direction SFP Transceiver(CSFP MSA)								GUFM→GPON OLT SFF 2×5 BIDI Transceiver(DDMI)																																																																																																																																																																																		
	PM→Dual Fiber SFP Transceiver ( with optical monitor )																																																																																																																																																																																										

\*Please contact us for the released types.



## UM4-S3-4X03L-I (Preliminary)

Dual Bi-directional SFP  
Gigabit Ethernet / 2x Fiber Channel  
Tx 1310nm / Rx1550 nm

*RoHS Compliant*

[www.palconnusa.com](http://www.palconnusa.com)

### Recommended Operating Conditions

Parameter	Symbol	Min	Typ.	Max	Units	Note
Storage Temperature	T <sub>stg</sub>	-40	-	85	°C	
Operating Temperature	T <sub>opr</sub>	0	-	70	°C	1
		-40	-	85	°C	2, casing temperature
Supply Voltage	V <sub>cc</sub>	3.1	3.3	3.5	V	
Power Consumption	I	-	320	600	mA	3, 10Km, 20Km
			400	600		3, 40Km

Notes:

1. UM4-S3-4103K-I/ UM4-S3-4203K-I / UM4-S3-4403K-I
2. UM4-S3-4103L-I / UM4-S3-4203L-I / UM4-S3-4403L-I
3. The typical consumption is measured in 25°C. The real consumption will be higher in a higher temperature.

## UM4-S3-4X03L-I (Preliminary)

Dual Bi-directional SFP  
Gigabit Ethernet / 2x Fiber Channel  
Tx 1310nm / Rx1550 nm

RoHS Compliant

[www.palconnusa.com](http://www.palconnusa.com)

### Transmitter Optical Interface

Parameter	Symbol	Min	Typ.	Max	Units	Note
Transmitter Differential Input Voltage	TD +/-	400	-	2000	mVp-p	1
Optical Output Power	P <sub>O</sub>	-9	-	-3	dBm	1, 2
		-7	-	-2	dBm	1, 3
		-3		+2	dBm	1,4
Optical Extinction Ratio	E <sub>R</sub>	9	-	-	dB	1
Center Wavelength	λ <sub>C</sub>	1260	1310	1360	nm	1
Spectral Width	Δλ	-	-	1	nm	1
Side Mode Suppression Ratio	SMSR	30	-	-	dB	1
Optical Rise / Fall Time	T <sub>r</sub> / T <sub>f</sub>	-	-	0.25	nsec	1, 5
Tx_Disable - High	V <sub>Disable_H</sub>	2	-	V <sub>cc</sub>	V	1
Tx_Disable - Low	V <sub>Disable_L</sub>	V <sub>ee</sub>	-	V <sub>ee</sub> +0.8	V	1

Notes:

1. All of data is measured at 1250 Mbps, PRBS 2<sup>7</sup>-1, NRZ.
2. For UM4-S3-4103K-I /UM4-S3-4103L-I.
3. For UM4-S3-4203K-I /UM4-S3-4203L-I.
4. For UM4-S3-4403K-I /UM4-S3-4403L-I.
5. 20%~80%

### Receiver Optical Interface

Parameter	Symbol	Min	Typ.	Max	Unit	Note
Receiver Differential Output Voltage	RD +/-	600	800	-	mVp-p	
Receiver Overload	P <sub>IN</sub> MAX	-3	-	-	dBm	1, 4
Receiver Sensitivity	P <sub>IN</sub> MIN	-	-	-20	dBm	1, 2, 4
		-	-	-23		1, 3, 4
Operating Center Wavelength	λ <sub>C</sub>	1480	1550	1600	nm	
Receiver LOS Assert Level	P <sub>RX_LOS A</sub>	-	-	-20.5	dBm	4
Receiver LOS Deassert Level	P <sub>RX_LOS D</sub>	-35	-	-	dBm	4
Receiver Loss of Signal Hysteresis	-	0.5	2	-	dB	4

Notes:

1. With BER better than or equal to 1×10<sup>-12</sup>
2. For 10Km
3. For 20Km, 40Km
4. Measured in the center of the eye opening with 2<sup>7</sup> -1 PRBS, NRZ

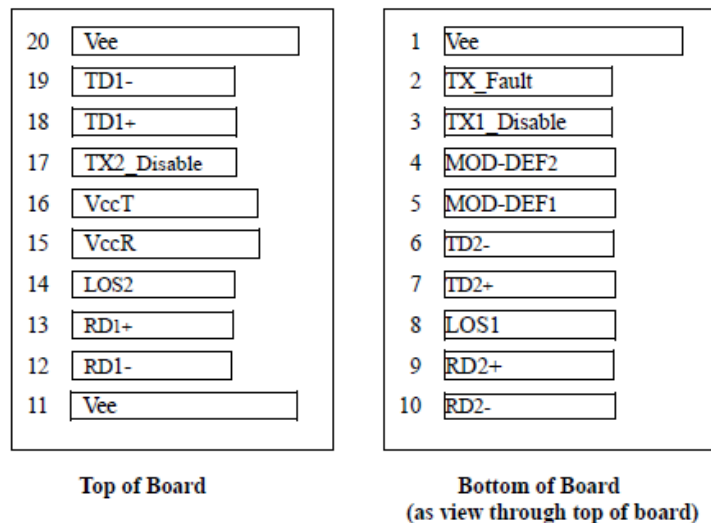
## UM4-S3-4X03L-I (Preliminary)

Dual Bi-directional SFP  
Gigabit Ethernet / 2x Fiber Channel  
Tx 1310nm / Rx1550 nm

RoHS Compliant

[www.palconnusa.com](http://www.palconnusa.com)

### Pin Assignment



Pin No.	Pin Name	Function
1	Vee	Transceiver Ground
2	TX_Fault	Transmitter Fault Indication
3	TX1_Disable	Transmitter Disable of Ch1; Turns off transmitter laser output of Ch1
4	MOD-DEF2	2-Ire Serial Interface Data Line(SDA)
5	MOD-DEF1	2-Ire Serial Interface Clock(SCL)
6	TD2-	Inverted Transmit Data Input of Ch2
7	TD2+	Transmit Data Input of Ch2
8	LOS1	Loss of Signal for Ch1
9	RD2+	Received Data Output of Ch2
10	RD2-	Inverted Received Data Output of Ch2
11	Vee	Transceiver Ground
12	RD1-	Inverted Received Data Output of Ch1
13	RD1+	Received Data Output of Ch1
14	LOS2	Loss of Signal for Ch2
15	VccR	Receiver Power
16	VccT	Transmitter Power
17	TX2_Disable	Transmitter Disable of Ch2; Turns off transmitter laser output of Ch2
18	TD1+	Transmit Data Input of Ch1
19	TD1-	Inverted Transmit Data Input of Ch1
20	Vee	Transceiver Ground

## UM4-S3-4X03L-I (Preliminary)

Dual Bi-directional SFP  
 Gigabit Ethernet / 2x Fiber Channel  
 Tx 1310nm / Rx1550 nm

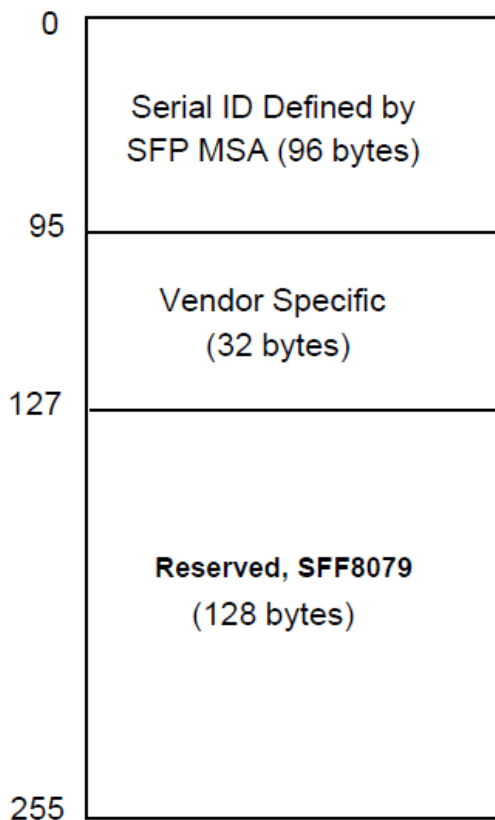
*RoHS Compliant*

[www.palconnusa.com](http://www.palconnusa.com)

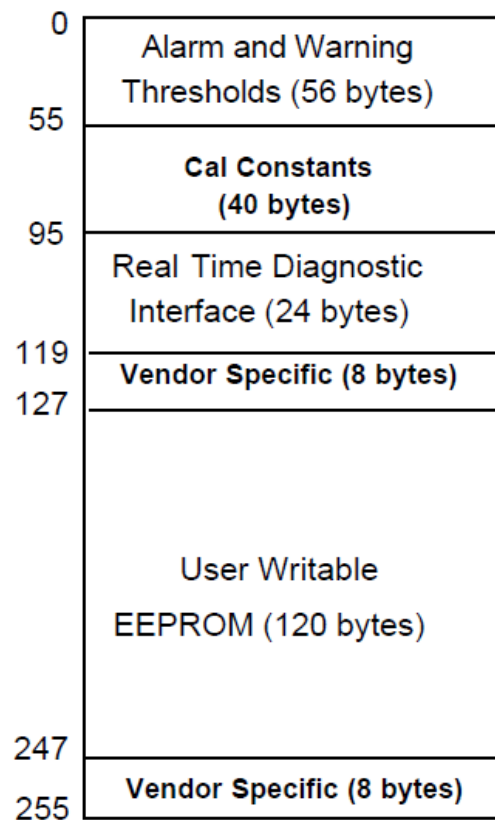
## Digital Diagnostics Monitoring Interface

### Mapping Address

Channel 1:2 wire address 1010000X(A0h)  
 Channel 2:2 wire address 1011000X(B0h)



Channel 1:2 wire address 1010001X(A2h)  
 Channel 2:2 wire address 1011001X(B2h)





## UM4-S3-4X03L-I (Preliminary)

Dual Bi-directional SFP  
Gigabit Ethernet / 2x Fiber Channel  
Tx 1310nm / Rx1550 nm

*RoHS Compliant*

[www.palconnusa.com](http://www.palconnusa.com)

### Two-lane interface ID: Data Fields – Address A0h

Data Address	Size (Bytes)	Name of Field	Description of Field
<b>BASE ID FIELDS</b>			
0	1	Identifier	Type of transceiver
1	1	Ext.Identifier	Extended identifier of type transceiver
2	1	Connector	Code for connector type
3-10	8	Transceiver	Code for electronic compatibility or optical compatibility
11	1	Encoding	Code for high speed serial encoding algorithm
12	1	BR, Nominal	Nominal signaling rate, units of 100MBd.
13	1	Rate Identifier	Type of rate select functionality
14	1	Length(SMF, km)	Link length supported for single mode fiber, units of km
15	1	Length(SMF)	Link length supported for single mode fiber, units of 100 m
16	1	Length(50um)	Link length supported for 50 um OM2 fiber, units of 10 m
17	1	Length(62.5um)	Link length supported for 62.5 um OM1 fiber, units of 10 m
18	1	Length(Copper)	Link length supported for copper, units of meters
19	1	Length(OM3)	Link length supported for 50 um OM3 fiber, units of 10 m
20-35	16	Vendor name	SFP vendor name (ASCII)
36	1	Unallocated	
37-39	3	Vendor OUI	SFP vendor IEEE company ID
40-55	16	Vendor PN	Part number provided by SFP vendor (ASCII)
56-59	4	Vendor rev	Revision level for part number provided by vendor (ASCII)
60-61	2	Wavelength	Laser wavelength
62	1	Unallocated	
63	1	CC_BASE	Check code for Base ID Fields (addresses 0 to 62)
<b>EXTENDED ID FIELDS</b>			
64-65	2	Options	Indicates which optional transceiver signals are implemented
66	1	BR,max	Upper bit rate margin, units of %
67	1	BR, min	Lower bit rate margin, units of %
68-83	16	Vendor SN	Serial number provided by vendor (ASCII)
84-91	8	Date code	Vendor's manufacturing date code
92	1	Diagnostic Monitoring Type	Indicates which type of diagnostic monitoring is implemented (if any) in the transceiver
93	1	Enhanced Options	Indicates which optional enhanced features are implemented (if any) in the transceiver
94	1	SFF-8472 Compliance	Indicates which revision of SFF-8472 the transceiver complies with.
95	1	CC_EXT	Check code for the Extended ID Fields (addresses 64 to 94)
<b>VENDOR SPECIFIC ID FIELDS</b>			
96-127	32	Vendor Specific	Vendor Specific EEPROM
128-255	128	Reserved	Reserved for SFF-8079



## UM4-S3-4X03L-I (Preliminary)

Dual Bi-directional SFP  
 Gigabit Ethernet / 2x Fiber Channel  
 Tx 1310nm / Rx1550 nm

*RoHS Compliant*

[www.palconnusa.com](http://www.palconnusa.com)

### Diagnostics: Data Fields – Address A2h

Data Address	Size (Bytes)	Name of Field	Description of Field
<b>DIAGNOSTIC AND CONTROL/STATUS FIELDSBASE ID FIELDS</b>			
0-39	40	A/W Thresholds	Diagnostic Flag Alarm and Warning Thresholds
40-55	16	Unallocated	
56-91	36	Ext Cal Constants	Diagnostic calibration constants for optional External Calibration
92-94	3	Unallocated	
95	1	CC_DMI	Check code for Base Diagnostic Fields (addresses 0 to 94)
96-105	10	Diagnostics	Diagnostic Monitor Data (internally or externally calibrated)
106-109	4	Unallocated	
110	1	Status/Control	Optional Status and Control Bits
111	1	Reserved	Reserved for SFF-8079
112-113	2	Alarm Flags	Diagnostic Alarm Flag Status Bits
114-115	2	Unallocated	
116-117	2	Warning Flags	Diagnostic Warning Flag Status Bits
118-119	2	Ext Status/Control	Extended module control and status bytes
<b>GENERAL USE FIELDS</b>			
120-127	8	Vendor Specific	Vendor specific memory addresses
128-247	120	User EEPROM	User writable non-volatile memory
248-255	8	Vendor Control	Vendor specific control addresses



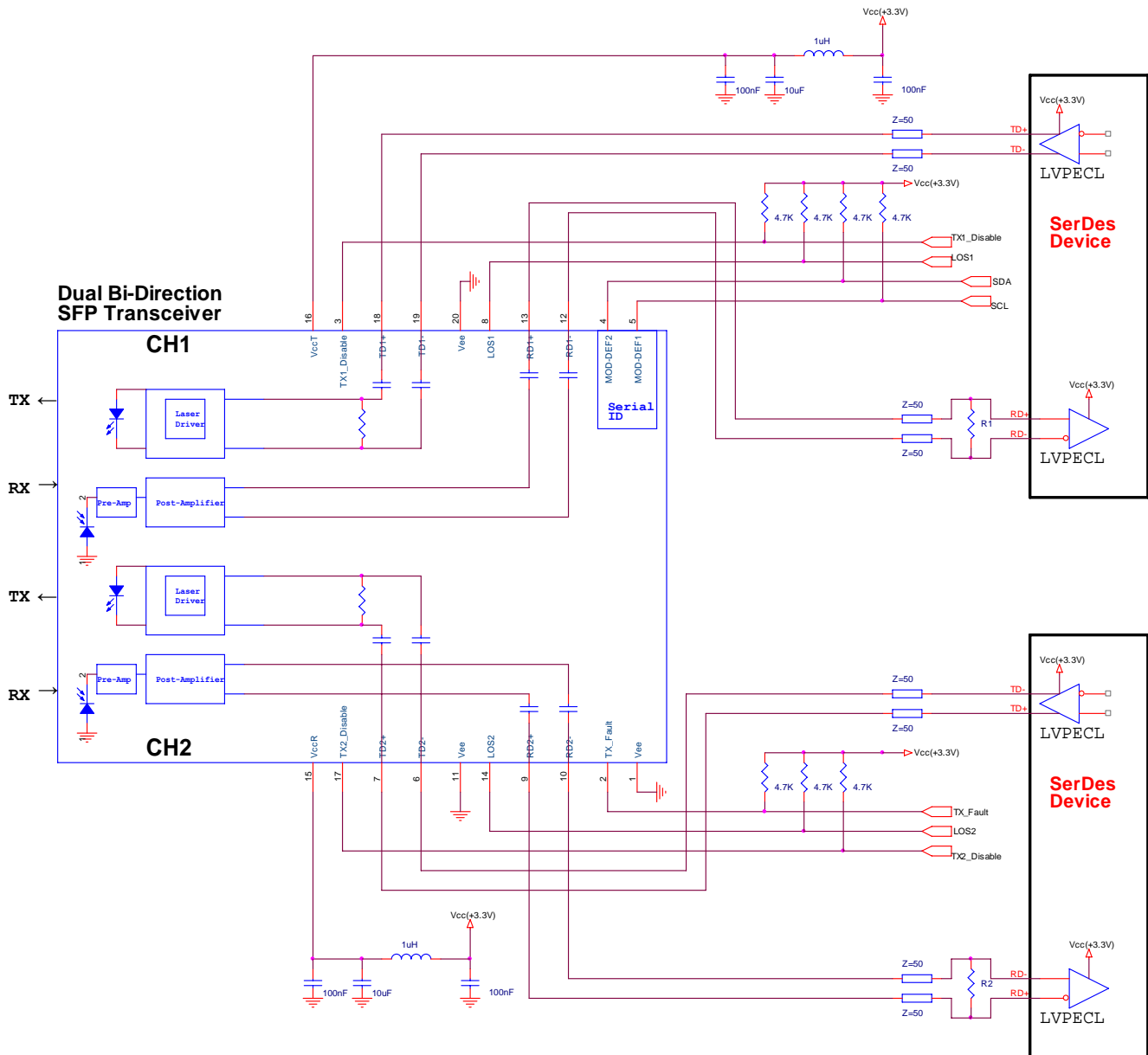
## UM4-S3-4X03L-I (Preliminary)

Dual Bi-directional SFP  
 Gigabit Ethernet / 2x Fiber Channel  
 Tx 1310nm / Rx1550 nm

RoHS Compliant

[www.palconnusa.com](http://www.palconnusa.com)

### Application Circuit



R1,R2 Depend on SerDes

## UM4-S3-4X03L-I (Preliminary)

Dual Bi-directional SFP  
Gigabit Ethernet / 2x Fiber Channel  
Tx 1310nm / Rx1550 nm

RoHS Compliant

[www.palconnusa.com](http://www.palconnusa.com)

### Mechanical Dimension

