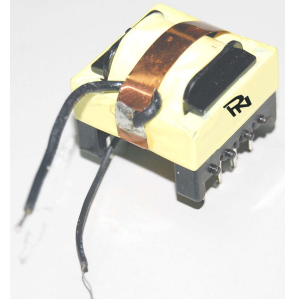
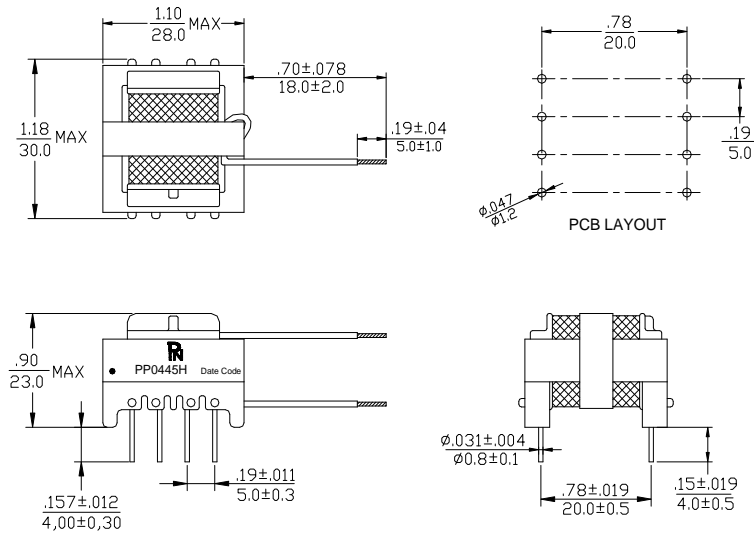


- Designed to meet UL 60950-1
- Core Material Ferrite
- Isolation 3000 Vrms
- Recommended solder profile: Wave soldering
- ROHS Compliance Product
- Operating Temperature range: 0°C TO +70°C

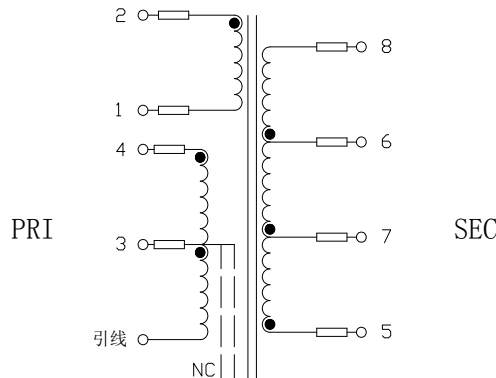


Electrical Specifications @ 25°C					
P/N	T/R (±2%)	OCL @ 10KHz 0.1V (mH±10%)	LL @ 100KHz 0.1V (μH MAX)	D.C.R (Ω MAX)	Hi-pot (Vrms)
	(2-1):(4-3):(5-7):(6-8):(7-6)	(1-2)	(1-2),(tie3+4, 5+6+7+8)	(1-2)	PRI TO SEC
PP0445H	60:12 :7:12:5	0.6	15	1.2	3000

Dimensions (unit: inch/mm)



Schematics



TUSTIN OFFICE:

15991 Red Hill Avenue, Suite #102, Tustin, California 92780 USA

Tel:+1-714-460-0718 Fax:+1-714-460-0728

<http://www.palnova.com>

SANTA CLARA OFFICE:

3000 Kenneth Street, Santa Clara, California 95054 USA

Tel:+1-408-855-8866 Fax:+1-408-855-8868