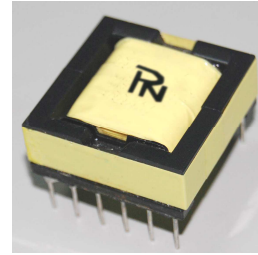


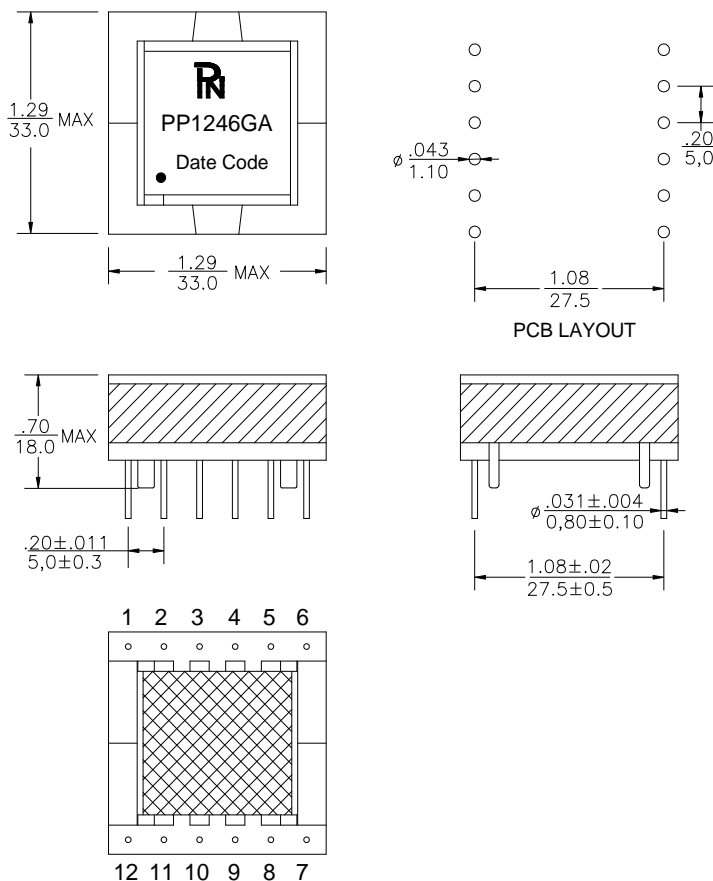
- Designed to meet UL 60950-1
- Core Material Ferrite
- Isolation 3000 Vrms
- Recommended solder profile: Wave soldering
- ROHS Compliance Product
- Operating Temperature range: 0°C TO +70°C



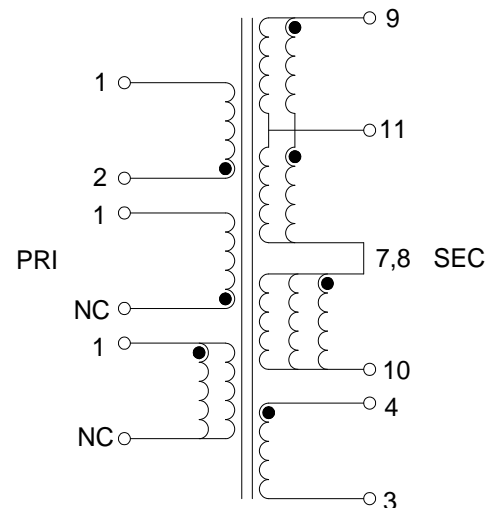
Electrical Specifications @ 25°C

P/N	T/R (±2%)	OCL@10KHz 0.1V (μH±10%)	LL@100KHz 0.1V (μH MAX)	Hi-pot (Vrms)
	(2-1):(4-3):(7,8-10):(11-7,9):(9-11)	(2-1)	(2-1),(tie4+3,7+8+9+10+11)	PRI TO SEC
PP1246GA	58:8:10:1:3	605	20	3000

Dimensions (unit: inch/mm)



Schematics



TUSTIN OFFICE:

15991 Red Hill Avenue, Suite #102, Tustin,
California 92780 USA

Tel:+1-714-460-0718 Fax:+1-714-460-0728

<http://www.palnova.com>

SANTA CLARA OFFICE:

3000 Kenneth Street, Santa Clara,
California 95054 USA

Tel:+1-408-855-8866 Fax:+1-408-855-8868