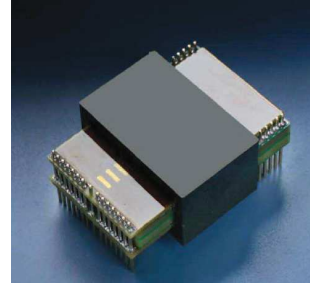




PLANAR TRANSFORMERS

PEE43 2000W SERIES

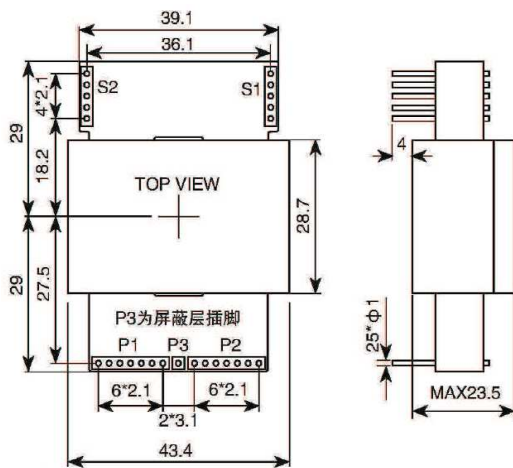
- Use EE43 planar magnetic core, multilayer PCB technique
- Use for DC/DC module power, max output power 2000W
- Working frequency: 100K - 200K
- Outline dimension: 58 x 43.4 x 23.5mm (MAX)
- Withstand voltage between secondary coils: 1.5KVDC
- Working temperature range: -40°C - +85°C
- Weight: ≤180g



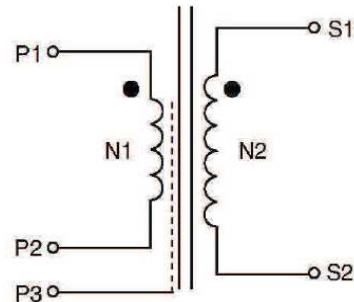
Electrical Specifications @ 25°C

Part Number	Turn Ratio N1:N2	Primary winding N1(P1-P2)			SEC. N2(S1-S2)	Remarks
		Inductance μH (min)	Leakage μH (max)	DC Resistance mΩ (max)	DC Resistance mΩ (max)	
PEE43T201101	1:10	7.2	0.4	0.2	9	P3 in EMS
PEE43T201111	1:11	7.2	0.4	0.2	10	
PEE43T202201	2:20	35.5	0.5	0.4	22	
PEE43T202211	2:21	35.5	0.5	0.4	25	
PEE43T218171	18:17	2100	0.5	35	30	

Dimensions (unit: mm)



Schematic



PRODUCT P/N:43T2XXXXX

Rev 01 1/10/17

SOUTHERN CALIFORNIA OFFICE:

15991 Red Hill Avenue, Suite #102,
Tustin, California 92780 USA

Tel:+1-714-460-0718 Fax:+1-714-460-0728

<http://www.palnova.com>

NORTHERN CALIFORNIA OFFICE:

500 Yosemite Drive
Milpitas, CA. 95035 USA

Tel:+1-408-855-8866 Fax:+1-408-855-8868