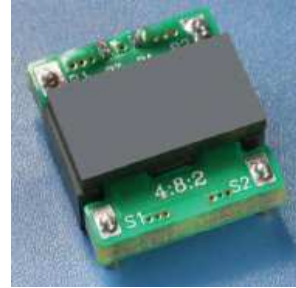




PLANAR TRANSFORMERS

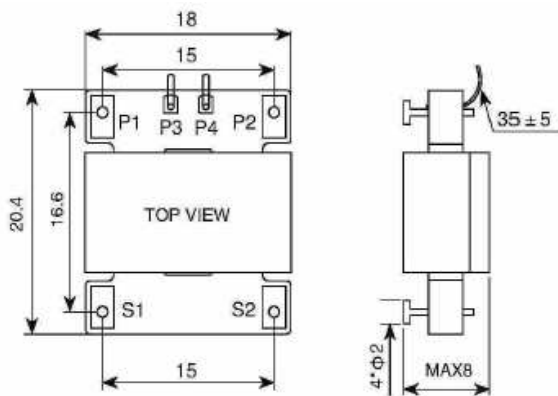
- E118 Planar Ferrite Core
- Suitable for DC/DC Power Modules
- Operating Frequency 200 - 500 KHz
- Mechanical Outline 20.4 x 18.0 x 8.0 mm
- Electrical Isolation 1.5 KV DC
- Working Temperature -40° C - +85° C
- Weight ≤ 9.5g

PEI18 100W SERIES

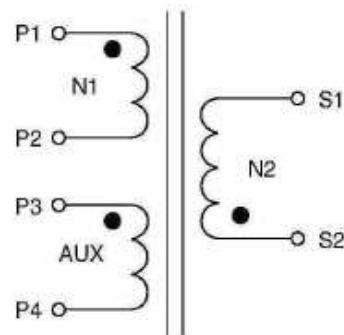


Electrical Specifications @ 25°C						
Part Number	Turn Ratio	Primary winding N1 (P1-P2)			Secondary Winding N2 (S1-S2)	AUX
		Inductance μH (min)	Leakage μH (max)	DC Resistance mΩ (max)	DC Resistance mΩ (max)	
	N1:N2:AUX					
PEI18T304031	4:3:2	36	0.5	8	3.00	P3-P4
PEI18T304061	4:6:2	36	0.5	8	11.00	P3-P4
PEI18T304081	4:8:2	36	0.5	8	22.00	P3-P4
PEI18T304121	4:12:2	36	0.5	8	48.00	P3-P4
PEI18T308031	8:3:8	150	0.5	28	2.40	P1-P2
PEI18T207021	7:2:N	150	0.5	40	2.40	-
PEI18T210101	10:10:N	280	0.5	90	90.00	-
PEI18T216021	16:2:N	400	1.50	132	2.90	-

Dimensions (unit: mm)



Schematic



P/N:PEI18TXXXXX

Rev 01 1/10/17

SOUTHERN CALIFORNIA OFFICE:

15991 Red Hill Avenue, Suite #102,
Tustin, California 92780 USA

Tel:+1-714-460-0718 Fax:+1-714-460-0728

<http://www.palnova.com>

NORTHERN CALIFORNIA OFFICE:

500 Yosemite Drive
Milpitas, CA. 95035 USA

Tel:+1-408-855-8866 Fax:+1-408-855-8868