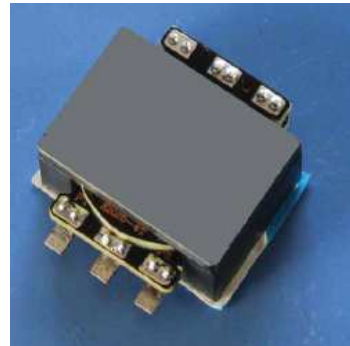




PLANAR TRANSFORMERS

- ER25 Planar Ferrite Core
- Suitable for DC/DC Power Modules
- Operating Frequency 200 - 500 KHz
- Mechanical Outline 29 x 25 x 10 mm
- Electrical Isolation 1.5 KV DC
- Working Temperature -40° C - +85° C
- Weight ≤ 25g

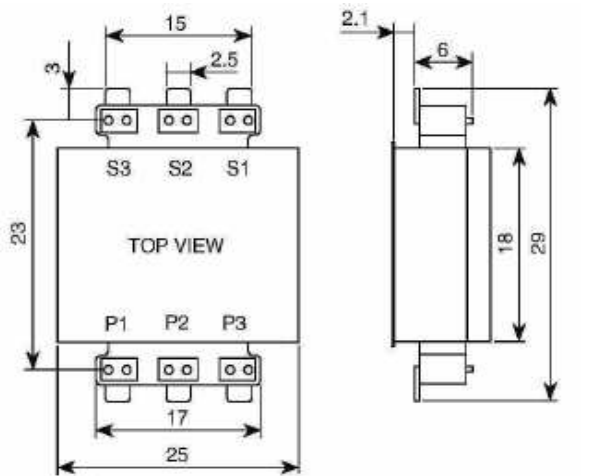
PER25-3 250W SERIES



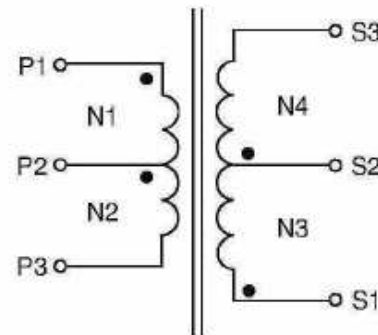
Electrical Specifications @ 25°C

Part Number	Turn Ratio	Primary Winding N1(P1-P2)			Secondary Winding N2(S1-S2)
		Inductance μH (min)	Leakage μH (max)	DCR mΩ (max)	DCR mΩ (max)
	N1:N2				
PER25T402041	(2+2):(4+4)	17.5 + 17.5	0.5 + 0.5	3.1 + 3.1	6.3 + 6.3

Dimensions (unit: mm)



Schematic



PRODUCT P/N:PER25T402041

Rev 01 1/10/17

SOUTHERN CALIFORNIA OFFICE:

15991 Red Hill Avenue, Suite #102,
Tustin, California 92780 USA

Tel:+1-714-460-0718 Fax:+1-714-460-0728

<http://www.palnova.com>

NORTHERN CALIFORNIA OFFICE:

500 Yosemite Drive
Milpitas, CA. 95035 USA

Tel:+1-408-855-8866 Fax:+1-408-855-8868