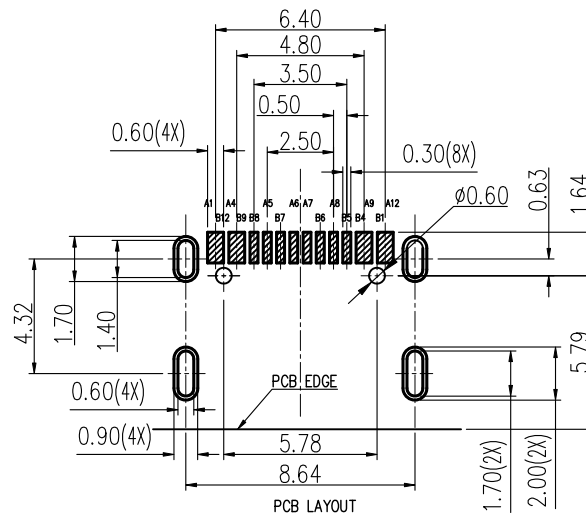
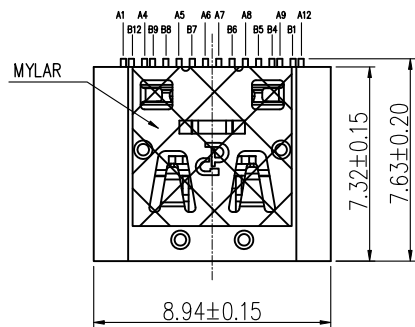


ABIDE BY ROHS, MEETS PT ENVIRONMENTAL Q3-7584

REV.	DESCRIPTION	ECN NO.	NEW DESIGNER
A	NEW RELEASE		Michael 2016.05.13



PCB LAYOUT
RECOMMENDED PCB LAYOUT (Component Side)
PCB THICKNESS=1.2MM(TOLERANCE=±0.05)

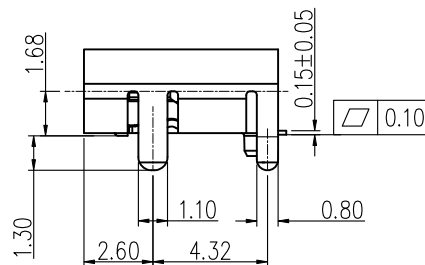
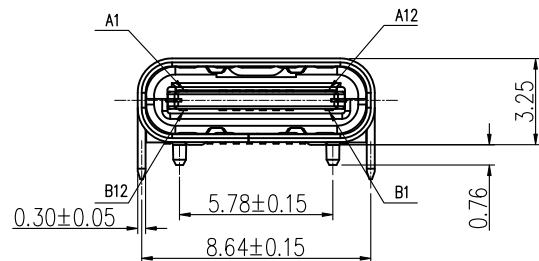
NOTES:

- MATERIALS:
SHELL: STAINLESS STEEL;
MIDDLE CONTACT: STAINLESS STEEL;
HOUSING: THERMOPLASTIC: UL94-V0, BLACK;
CONTACT: HIGH-CONDUCTIVITY COPPER ALLOYS;
- PLATING:
CONTACT: 80u"Min. NICKEL UNDERPLATING OVERALL;
PLATED GOLD 30u"Min. ON CONTACT AREA,
OR REFERENCE PART NO. CODE;
PLATED Au 1u"Min. ON SOLDER AREA;
SHELL: 50u"Min NICKEL UNDERPLATING OVERALL;
PLATED TIN 100u"Min
- DIMENSIONAL TOLERANCE:
NOT SPECIFIED TOLERANCE, COMPLIED TO THE GENERAL TOLERANCE;
CONTROL DIMENSIONS INDICATED FORM "▼", MUST BE INSPECTED BY QC;
- ELECTRICAL CHARACTERISTICS:
LOW LEVEL CONTACT RESISTANCE: 40mΩ Max.;
INSULATION RESISTANCE: 100MΩ Min.;
DIELECTRIC WITHSTANDING VOLTAGE: 100 VAC;
CONTACT CURRENT RATING: 5A Max;
- MECHANICAL CHARACTERISTICS:
INSERTION FORCE: 5~20N;
EXTRACTION FORCE: 8~20N;
DURABILITY: ORDINARY CONTACT PLATED 10000 CYCLES;
Ni-Pd CONTACT PLATED 20000 CYCLES
- IR REFLOW CONDITION PEAK TEMPERATURE: 260°C-10S

PART NO. CODE:

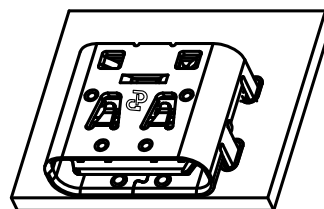
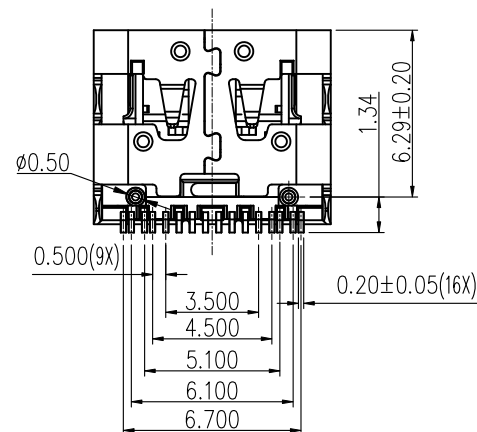
UTC027 - G K N - 0 R
① ② ③ ④ ⑤ ⑥

- ① SERIES:
UTC027: USB 2.0 TYPE C RECEPTACLE, RIGHT ANGLE SMT TYPE
- ② POSITIONS:
G: 16 POSITIONS
- ③ COLOR OF HOUSING:
K: BLACK
W: WHITE
- ④ CONTACT PLATED:
2: PLATED Au 3u" MIN
3: PLATED Au 10u" MIN
5: PLATED Au 30u" MIN
N: PLATED Ni-Pd 30u" MIN AND Au 3u" MIN
- ⑤ ENVIRONMENT:
O: RoHS
H: HALOGEN FREE
- ⑥ WAY OF PACKING:
R: TAPE & REEL



USB TYPE-C 2.0 INTERFACE
PIN DEFINITION

PIN	Signal Name	PIN	Signal Name
A1	GND	B12	GND
A4	VBUS	B9	VBUS
A5	CC1	B8	SBU2
A6	D+	B7	D-
A7	D-	B6	D+
A8	SBU1	B5	CC2
A9	VBUS	B4	VBUS
A12	GND	B1	GND

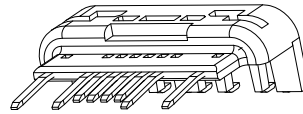


(Top Mount Type)

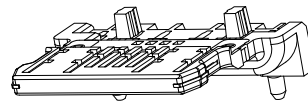
GENERAL TOLERANCE X. ±0.38 .X ±0.25 .XX ±0.15 .XXX ±0.10	ANGLE TOLERANCE X.* ±3.0° .X.* ±2.0° .XX.* ±1.0°	NAME (INTENDED USE): CUSTOMER DRAWING PART NO. CODE: UTC027-G**-**	PALCONN PALCONN TECHNOLOGY CO., LTD. TITLE: USB 2.0 TYPE C RECEPTACLE, RIGHT ANGLE SMT TYPE
MAJOR (QC CHECKED) ▼ = 10 places	SCALE: 1:1	APPROVED:	
CRITICAL: ▽ = 0 places	UNIT: mm	CHECKED:	SERIES: USB TYPE C SIZE: A4
SHEET 1 OF 4	DESIGN:	DRAWING NO.: C-UTC027-02	REV.: A

ABIDE BY ROHS,MEETS PT ENVIRONMENTAL Q3-7584

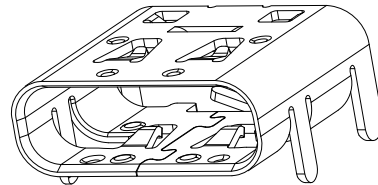
REV.	DESCRIPTION	ECN NO.	NEW DESIGNER
A	NEW RELEASE		Michael 2016.05.13



● ①




● ②



● ③

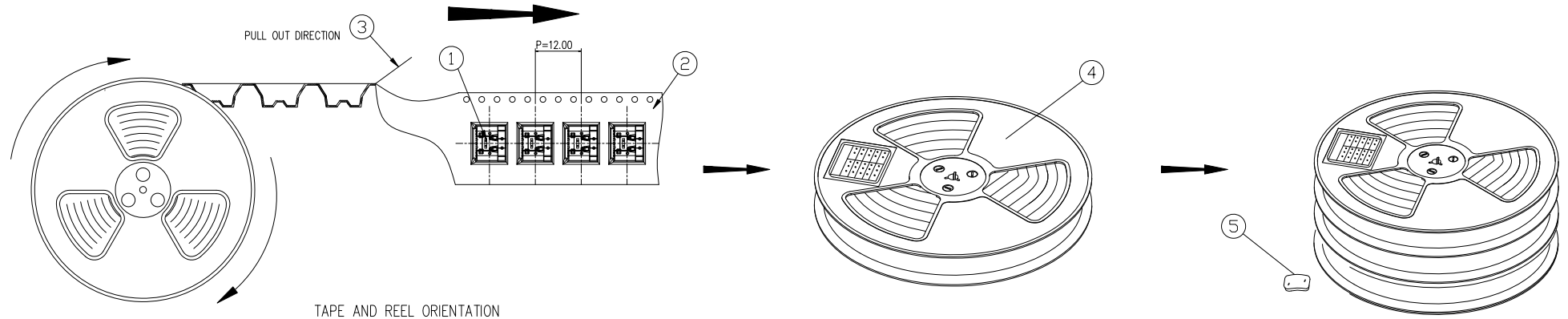
BILL OF MATERIAL:

ITEM	PART NAME	Q'TY	DRAWING NO.	PART NO.	MATERIAL	REMARK
3	THE UPPER MOLDING	1	B-ST-UTC-2-00	B-UTC-2-1G****0*	COPPER ALLOY+THERMOPLASTIC	PLATED Au
2	THE FOLLOWING MOLDING	1	B-ST-UTC-2-01	B-UTC-2-2G****1*	COPPER ALLOY+THERMOPLASTIC	PLATED Au
1	OUT SHELL	1	S-ST-UTC-2-02	S-UTC-2-1G**002*	STAINLESS STEEL	PLATED NICKEL

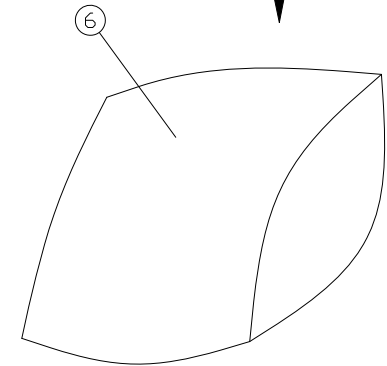
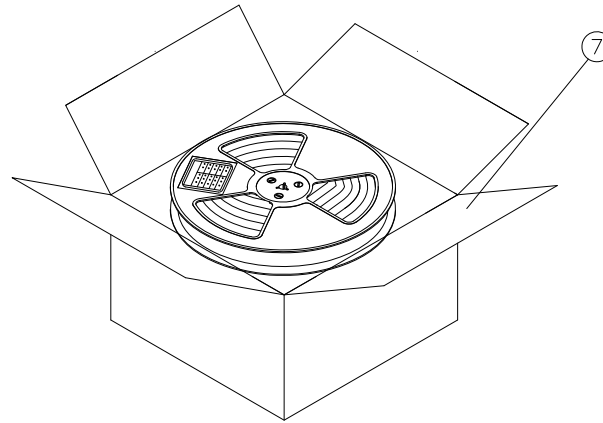
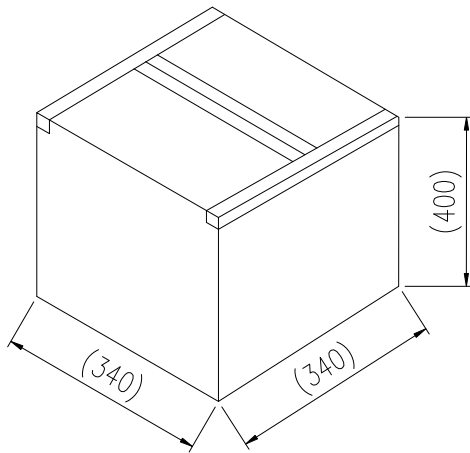
GENERAL TOLERANCE X. ±0.38 .X ±0.25 .XX ±0.20 .XXX ±0.15	ANGLE TOLERANCE X.* ±3.0° .X.* ±2.0° .XX.* ±1.0°	NAME(INTENDED USE): CUSTOMER DRAWING		 PALCONN TECHNOLOGY CO.,LTD. TITLE: USB 2.0 TYPE C RECEPTACLE, RIGHT ANGLE SMT TYPE		
		PART NO. CODE: UTC027-G**-**				
MAJOR(QC CHECKED) ▼= 0 places	SCALE: 1:1	APPROVED:		SERIES:	USB TYPE C	SIZE: A4
CRITICAL: ▽= 0 places	UNIT: mm	CHECKED:		DRAWING NO.:	C-UTC027-02	REV.: A
SHEET 2 OF 4		DESIGN:				

ABIDE BY ROHS,MEETS PT ENVIRONMENTAL Q3-7584

REV.	DESCRIPTION	ECN NO.	NEW DESIGNER
A	NEW RELEASE		Michael 2016.05.13



TAPE AND REEL ORIENTATION



BILL OF MATERIAL:

ITEM	PART NAME	Q'TY	MATERIAL
7	TRIANGLE CARDBOARD	1	K=K
6	ANTI-WATER POLYBAG	1	PE
5	DESICCANT	5	/
4	REEL	10	PS(BLUE)
3	COVER TAPE	11.28X10M	PET T=0.07mm
2	CARRIER TAPE	11.28X10M	PS T=0.40mm
1	PRODUCT	9000PCS	0.43g/pcs

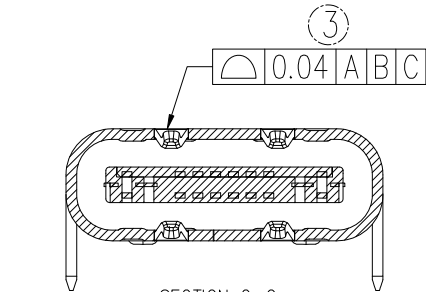
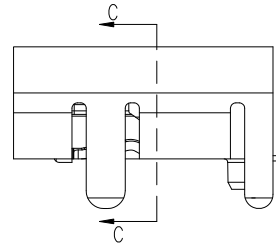
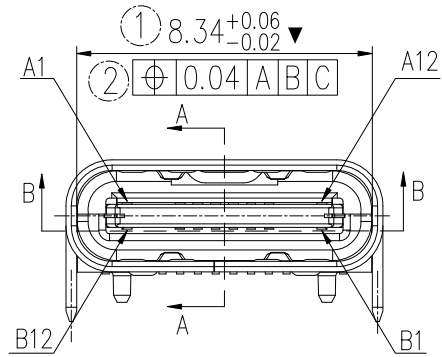
LEADER AND TRAILER TAPE

- COVER TAPE PEELING FORCE IN THE DIRECTION SHOWN SHALL BE 0.20N MIN.
- TAPE AND REEL MATERIALS:
 - CARRIER TAPE: POLYPROPYLENE OR POLYSTYRENE- ANTI-ESD
 - COVER TAPE: TREATED FOR ANTI-ESD
 - REEL: POLYPROPYLENE OR POLYSTYRENE
- PACKING QUANTITY AND STYLE:
 - QUANTITY: 900 PCS/REEL
 - 10REELS /OUTER CARTON
 - 9000 PCS/OUTER CARTON
- PACKING STYLE: TAPE&REEL
- PRODUCT THE WEIGHT OF THE:0.43g

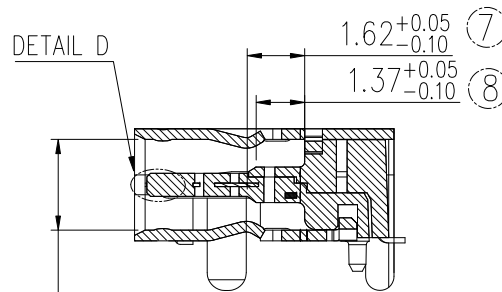
GENERAL TOLERANCE		ANGLE TOLERANCE		NAME(INTENDED USE):		PALCONN	
X.	±0.38	X.*	±3.0°	CUSTOMER DRAWING			
.X	±0.25	.X*	±2.0°	PART NO. CODE:		PALCONN TECHNOLOGY CO.,LTD.	
.XX	±0.20	.XX*	±1.0°	UTC027-G**-**		TITLE:	
.XXX	±0.15			APPROVED:		USB 2.0 TYPE C RECEPTACLE, RIGHT ANGLE SMT TYPE	
MAJOR(QC CHECKED)		SCALE: 1:1	CHECKED:		SERIES:	USB TYPE C	SIZE: A4
▼= 0 places		UNIT: mm	DESIGN:		DRAWING NO.: C-UTC027-02		REV.: A
CRITICAL:		SHEET 3 OF 4					
▽= 0 places							

ABIDE BY ROSH, MEETS PT ENVIRONMENTAL Q3-7584

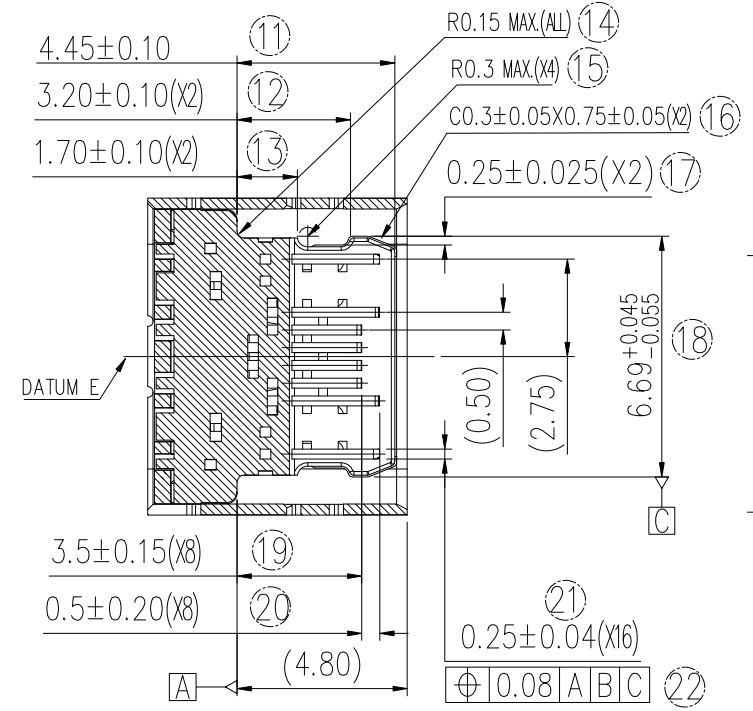
REV.	DESCRIPTION	ECN NO.	NEW DESIGNER
A	NEW RELEASE		Michael 2016.05.13



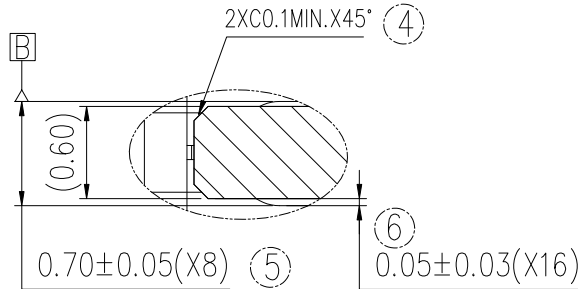
SECTION C-C
SCALE: 1:1



SECTION A-A
SCALE: 1:1



SECTION B-B
SCALE: 1:1



DETAIL D
SCALE: 4:1

GENERAL TOLERANCE X. ±0.38 .X ±0.25 .XX ±0.15 .XXX ±0.10	ANGLE TOLERANCE X.° ±3.0° .X.° ±2.0° .XX.° ±1.0°	NAME (INTENDED USE): CUSTOMER DRAWING PART NO. CODE: UTC027-G**-**	PALCONN		
MAJOR (QC CHECKED) ▼ = 0 places	SCALE: 1:1	APPROVED:	PALCONN TECHNOLOGY CO., LTD. TITLE: USB 2.0 TYPE C RECEPTACLE, RIGHT ANGLE SMT TYPE		
CRITICAL: ▽ = 0 places	UNIT: mm	CHECKED:	SERIES:	USB 2.0 TYPE C	SIZE: A4
SHEET 4 OF 4	DESIGN:		DRAWING NO.:	C-UTC027-02	REV.: A