

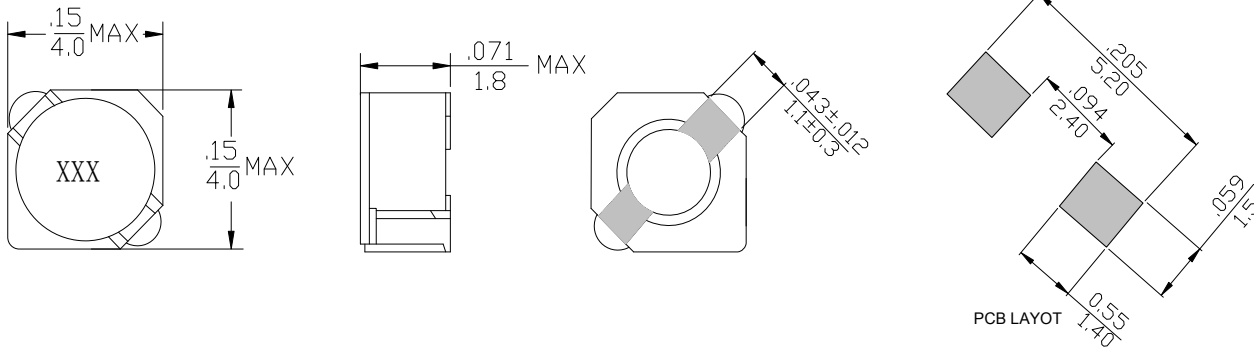
- Large Current and Low DCR
- Magnetically shielded construction
- Current capability up to 1.55A
- Recommended solder profile:Reflow
- ROHS Compliance Product
- Operating Temperature range: -40°C TO +100°C



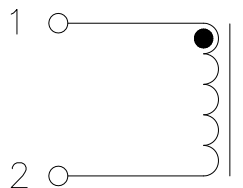
Electrical Specifications @ 25°C

P/N	OCL@100KHz 0.1V ($\mu\text{H}\pm 30\%$)	D.C.R (m Ω MAX)	RATED CURRENT (A MAX)
PDRH4040-1R5N	1.5	52	1.55
PDRH4040-2R2N	2.2	72	1.20
PDRH4040-3R3N	3.3	85	1.10
PDRH4040-4R7N	4.7	105	0.90
PDRH4040-6R8N	6.8	170	0.73
PDRH4040-100N	10	210	0.55
PDRH4040-150N	15	295	0.45
PDRH4040-220N	22	430	0.40
PDRH4040-330N	33	675	0.32

Dimensions (unit: inch/mm)



Schematics



TUSTIN OFFICE:

15991 Red Hill Avenue, Suite #102, Tustin,
California 92780 USA

Tel:+1-714-460-0718 Fax:+1-714-460-0728

<http://www.palnova.com>

SANTA CLARA OFFICE:

3000 Kenneth Street, Santa Clara,
California 95054 USA

Tel:+1-408-855-8866 Fax:+1-408-855-8868