

RevNo	Revision note	Date	Signature	Checked
B	UPDATED THE DESCRIPTION OF THE TITLE BLOCK	04-23-12		

NOTES:

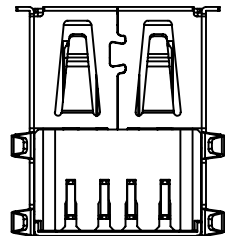
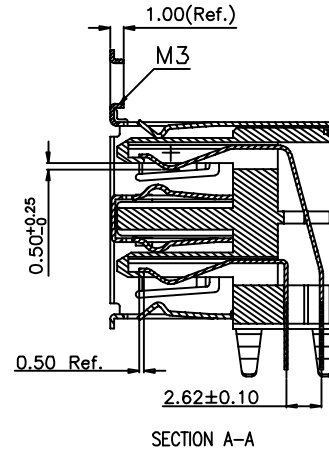
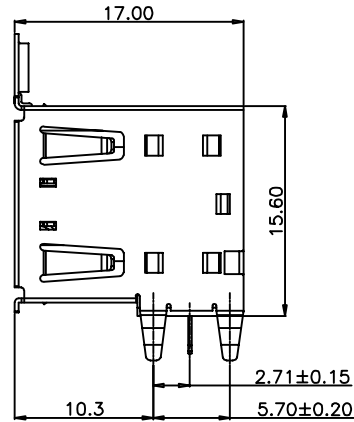
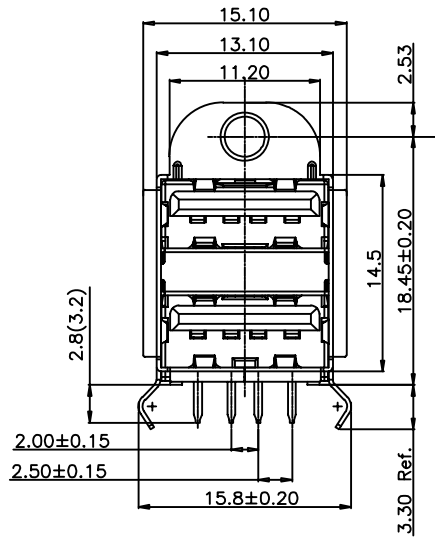
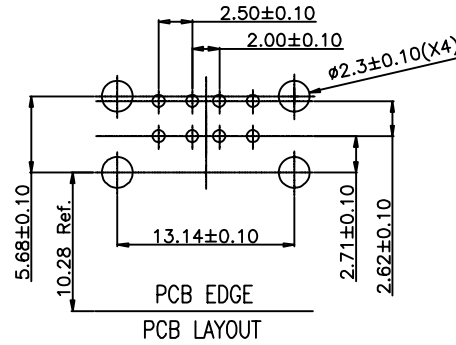
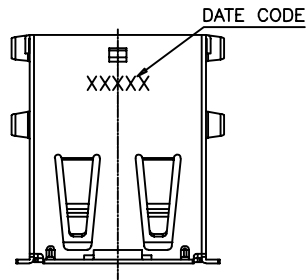
- HOUSING MATERIAL: THERMOPLASTIC
- LONG CONTACT MATERIAL: BRASS C2680R-EH, T=0.25±0.01mm
- SHORT CONTACT MATERIAL: BRASS C2680R-EH, T=0.25±0.01mm
- BACK SHELL MATERIAL: SPCC, T=0.30±0.01mm
- OUTER SHELL MATERIAL: BRASS, C2680R-H, T=0.30±0.01mm
- INNER SHELL MATERIAL: BRASS, C2680R-H, T=0.30±0.01mm
- CONTACT PLATING:
NICKEL UNDERPLATING OVER ALL
GOLD PLATING AT CONTACT AREA
TIN PLATING AT SOLDERING AREA
- SHELL PLATING: NICKEL
- ELECTRICAL PERFORMANCES:
CURRENT RATING: 1.5A AT 250 VAC MIN.
LOW LEVEL CONTACT RESISTANCE: 30 mΩ MAX.
INSULATION RESISTANCE: 1000 MΩ MIN.
DIELECTRIC WITHSTANDING VOLTAGE: 500V AC
FOR 1 MINUTE

PART NO. CODE:

U2C001 - 8 X X - X X
① ② ③ ④ ⑤ ⑥

- ① SERIES:
U2C001: USB 2.0 CONN, SERIES A, DOUBLE DECK, RIGHT ANGLE, THROUGH HOLE TYPE
- ② POSITIONS:
8: 8 POSITIONS
- ③ COLOR OF HOUSING:
K: BLACK
W: WHITE
- ④ CONTACT PLATING:
1: Au 1u"
2: Au 3~5u"
3: Au 10u"
4: Au 15u"
5: Au 30u"
- ⑤ ENVIRONMENT:
O: RoHS
H: HALOGEN FREE
- ⑥ WAY OF PACKING:
T: TRAY
R: TAPE & REEL
B: WATERPROOF BAG

DATE CODE MARKING STANDARD:
XXXXXX
WORK DAY
(E.G. 1 FOR MONDAY)
(E.G. 2 FOR TUESDAY)
(E.G. 3 FOR WEDNESDAY)
(E.G. 4 FOR THURSDAY)
(E.G. 5 FOR FRIDAY)
(E.G. 6 FOR SATURDAY)
(E.G. 7 FOR SUNDAY)
WEEK
(E.G. 01 FOR 01 WEEK)
YEAR
(E.G. 12 FOR 2012)



BILL OF MATERIAL :

6	INNER SHELL	1	BRASS	NICKEL PLATING / TIN
5	OUTER SHELL	1	BRASS	NICKEL PLATING / TIN
4	BACK SHELL	1	SPCC	NICKEL PLATING / TIN
3	SHORT CONTACT	4	BRASS	AU OVER Ni
2	LONG CONTACT	4	BRASS	AU OVER Ni
1	HOUSING	1	THERMOPLASTIC	N/A
ITEM	PART NAME	Q'TY/EA	MATERIAL	PLATING

GENERAL TOLERANCES (UNLESS SPECIFIED) DIMENSION STYLE : MM (INCH)		
	MM	ANGLE°
4 PLACES	± ---	± ---
3 PLACES	± 0.05	± ---
2 PLACES	± 0.13	± 0.5°
1 PLACES	± 0.25	± 1.0°
0 PLACES	± 0.38	± 2.0°
THIRD ANGLE PROJECTION		

FINISH	SEE NOTES
MATERIAL	SEE NOTES
DRAWN BY	DATE
R. Ly	04-23-12
CHECKED BY	DATE
A. TENG	04-23-12
APPROVED BY	DATE
---	---

PALCONN			
TITLE USB 2.0, 8P, SERIES A, FEMALE, R/A, DUAL, W/FLANGE, THROUGH HOLE TYPE			
SIZE	A4	DRAWING NO.	U2C001-8XX-XX
SCALE	NONE	SHEET	1 OF 1
REV.	B		