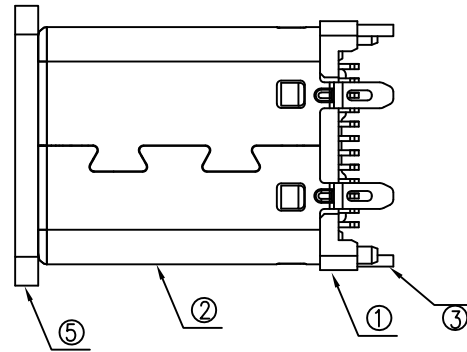
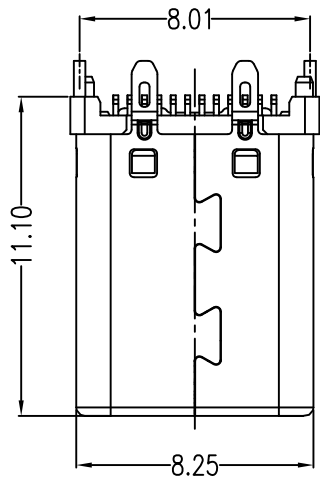




**RoHS  
Compliant**  
2013/95/EC

HF

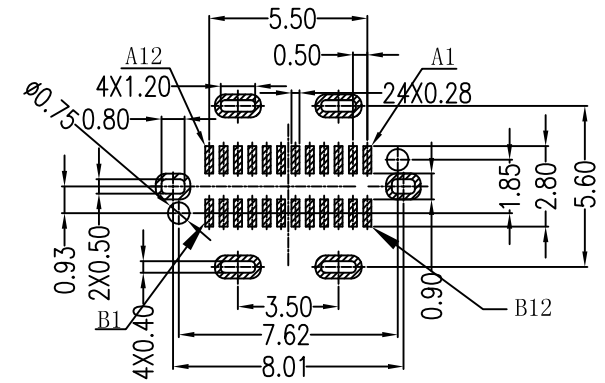
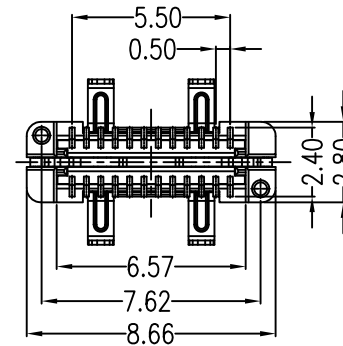
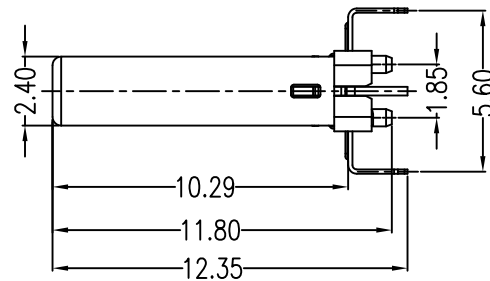
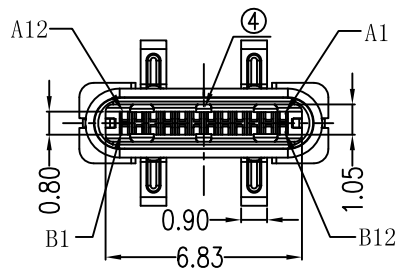
REV.	ECN NO.	DESCRIPTION	DATE	DRAWING
A0		New Issue	2016-11-11	Jason.W



**NOTES:**

**SPECIFICATION:**

1. CURRENT RATING: 3.0A /5.0A MAX(SEE TABLE I )
2. VOLTAGE: 100 VAC
3. TEMPERATURE RANGE: -30 °C ~ 85 °C
4. CONTACT RESISTANCE: 40 MILLIONHM MAX
5. INSULATION RESISTANCE: 100 MEGOHMS MIN.
6. LNSERTION FORCE : 5N~20N
7. UNMATING FORCE: 8N~20N
8. DURABILITY: 10,000 CYCLES



RECOMMENDED PCB LAYOUT( $t=0.80\pm0.05$ )  
COMPONENT SIDE(GENERAL TOLERANCE: $\pm0.05$ )

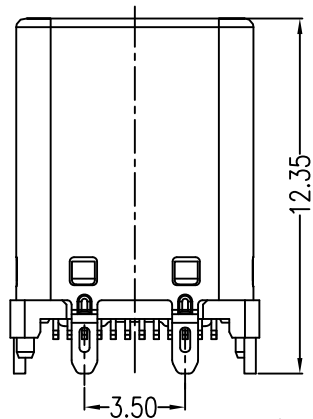


TABLE I (note 1)

NO.	PART NO.	CURRENT RATING	PLATING GOLD U"
2	UCM24DB6T2-T63	5A	30U"
1	UCM24DB2T2-T63	3A	3U"

TABLE II

PIN	SIGNAL NAME	PIN	SIGNAL NAME
A1	GND	B12	GND
A2	SSTXP1	B11	SSRXP1
A3	SSTXN1	B10	SSRXN1
A4	VBUS	B9	VBUS
A5	CC1	B8	SBU2
A6	DP1	B7	DN2
A7	DN1	B6	DP2
A8	SBU1	B5	CC2
A9	VBUS	B4	VBUS
A10	SSRXN2	B3	SSTXN2
A11	SSRXP2	B2	SSTXP2
A12	GND	B1	GND

TABLE III

NO.	DESCRIPTION	MATERIAL	REMARKS	QTY
5	COVER	HIGH TEMPERATURE PLASTIC	LCP BLACK	1PCS
4	SPRING	STAINLESS STEEL	---	2PCS
3	LATCH	STAINLESS STEEL	TIN: 80-120u"Min/Ni base: 50u"Min	1PCS
2	SHELL	STAINLESS STEEL	Ni: 50u"Min Plated	1PCS
1	TERMINAL HOUSING	HIGH TEMPERATURE PLASTIC	LCP BLACK/ CONTACT: Au: 3u"/30u"Min	2PCS



TITLE: USB CM TYPE VERTICAL SMT 4FOOTS DIP CONN		REV.: A0	SCALE: 1:1
PART NO.: (INNER) UCM24DBXT2-T63	APV: Bin. H	DATE: 2016.11.11	SIZE: A4
PART NO.: (CUSTOMER) P-MB-CF022	CHK: Jason.W	DATE: 2016.11.11	SHEET: 1/1
DRW. NO.: C-UC009	DRW: Jason.W	DATE: 2016.11.11	UNIT: mm
UNLESS SPECIFIED, TOLERANCE:			ANGLE OF PROJECTION
X. ±0.40			
X.x ±0.30			
X.xx ±0.20			
X.xxx ±0.05			
ANGLES ±1°			