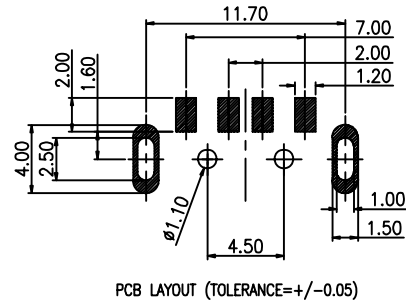
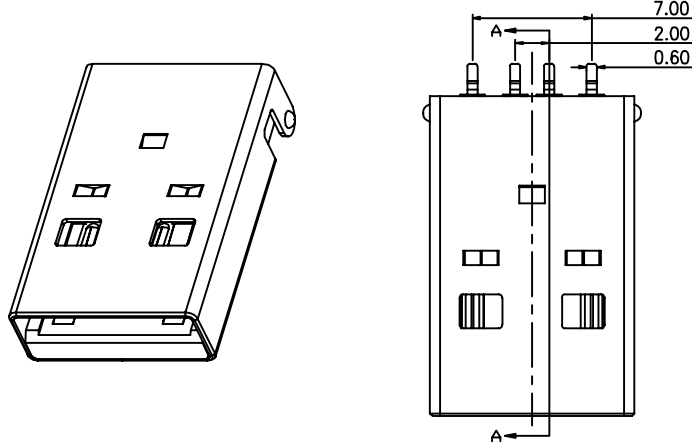


RevNo	Revision note	Date	Signature	Checked
A	NEW RELEASE	02-28-12		
B	UPDATED THE DESCRIPTION OF THE TITLE BLOCK	04-23-12		



PCB LAYOUT (TOLERANCE=+/-0.05)

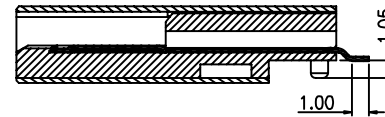
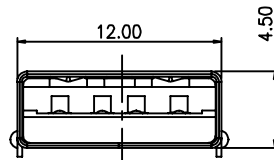
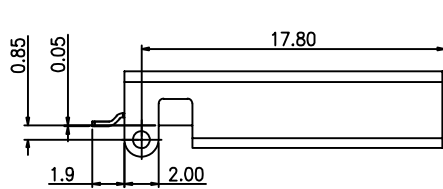
NOTES:

- HOUSING MATERIAL: PA-9T
- CONTACT MATERIAL: BRASS, T=0.25±0.01mm
- OUTER SHELL MATERIAL: SPCC, T=0.30±0.01mm
- CONTACT PLATING:  
NICKEL UNDERPLATING OVER ALL  
GOLD PLATING AT CONTACT AREA  
TIN PLATING AT SOLDERING AREA
- SHELL PLATING: NICKEL
- ELECTRICAL PERFORMANCES:  
CURRENT RATING: 1.5A AT 250 VAC MIN.  
LOW LEVEL CONTACT RESISTANCE: 30 mΩ MAX.  
INSULATION RESISTANCE: 1000 MΩ MIN.  
DIELECTRIC WITHSTANDING VOLTAGE: 500V AC FOR  
1 MINUTE

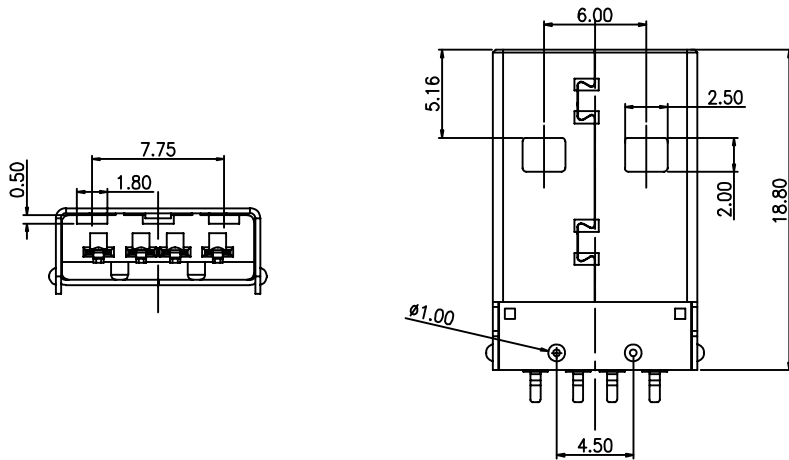
PART NO. CODE:

U2A147 - 4 X X - X X  
① ② ③ ④ ⑤ ⑥

- SERIES:  
U2A147: USB 2.0 CONN, SERIES A,  
PLUG, SMT TYPE
- POSITIONS:  
4: 4 POSITIONS
- INSULATOR COLOR:  
K: BLACK  
W: WHITE  
C: CREAM-COLOR
- CONTACT PLATING:  
1: Au 1u"  
2: Au 3~5u"  
3: Au 10u"  
4: Au 15u"  
5: Au 30u"
- ENVIRONMENT:  
0: RoHS  
H: HALOGEN FREE
- WAY OF PACKING:  
T: TRAY  
R: TAPE & REEL  
B: WATERPROOF BAG



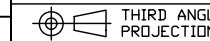
SECTION A-A



BILL OF MATERIAL :

ITEM	PART NAME	Q'TY/EA	MATERIAL	PLATING
3	OUTER SHELL	1	SPCC	PLATING NICKEL
2	HOUSING	1	PA-9T	N/A
1	CONTACT	4	BRASS	AU OVER NI

GENERAL TOLERANCES ( UNLESS SPECIFIED ) DIMENSION STYLE : MM < INCH >		
	MM	ANGLE°
4 PLACES	± ---	± ---
3 PLACES	± 0.05	± ---
2 PLACES	± 0.13	± 0.5°
1 PLACES	± 0.25	± 1.0°
0 PLACES	± 0.38	± 2.0°



FINISH	
SEE NOTES	
MATERIAL	
SEE NOTES	
DRAWN BY	DATE
R. Ly	04-23-12
CHECKED BY	DATE
A. TENG	04-23-12
APPROVED BY	DATE
---	---

			
TITLE		USB 2.0, 4P, SERIES A, MALE, RIGHT ANGLE, SMT TYPE	
SIZE	A4	DRAWING NO.	U2A147-4XX-XX
SCALE	NONE	SHEET	1 OF 1
		REV.	B