

PLANAR TRANSFORMERS

PPQ35 600W SERIES

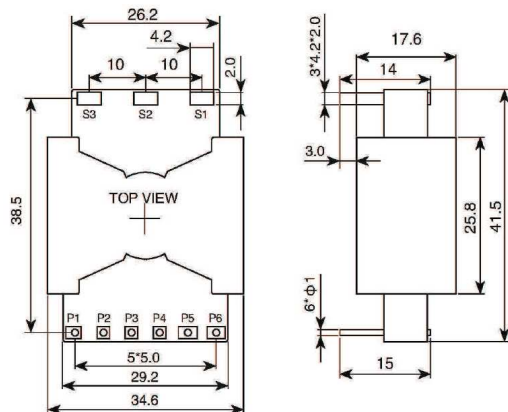
- Use PQ35 planar magnetic core, multilayer PCB technique
- Use for AC/DC module power, max output power 600W
- Working frequency: 200K - 400K
- Outline dimension: 34.6 x 41.5 x 17.6 mm
- Withstand voltage between secondary coils: 3KVDC
- Working temperature range: -40°C - +85°C
- Can offer secondary power winding
- Weight: ≤80g



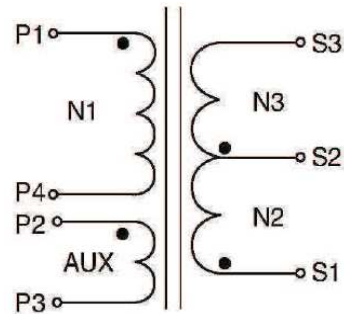
Electrical Specifications @ 25°C

Part Number	Turn Ratio	Primary winding N1(P1-P4)			SEC.
		Inductance μH (min)	Leakage μH (max)	DC Resistance mΩ (max)	DC Resistance mΩ (max)
	N1:(N2+N3):AUX				
PPQ35T440011	40:(1+1):3	1000±10%	6	310	0.2+0.2

Dimensions (unit: mm)



Schematic



PRODUCT P/N: PPQ35T440011

Rev 01 1/10/17

SOUTHERN CALIFORNIA OFFICE:

15991 Red Hill Avenue, Suite #102,
Tustin, California 92780 USA

Tel:+1-714-460-0718 Fax:+1-714-460-0728

<http://www.palnova.com>

NORTHERN CALIFORNIA OFFICE:

500 Yosemite Drive
Milpitas, CA. 95035 USA

Tel:+1-408-855-8866 Fax:+1-408-855-8868