



PLANAR TRANSFORMERS

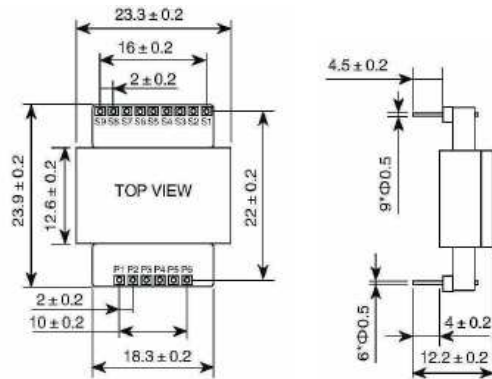
PER23-1 80W SERIES

- ER23 Planar Ferrite Core
- Suitable for DC/DC Power Modules
- Operating Frequency 200 - 500 KHz
- Mechanical Outline 23.9 x 23.3 x 8.2 mm
- Electrical Isolation 1.5 KV DC
- Working Temperature -40° C - +85° C
- Weight \leq 15g

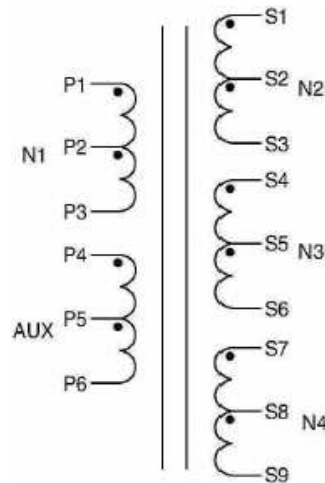


Electrical Specifications @ 25°C					
Part Number	Turn Ratio	Primary winding N1(P1-P3)			
		Inductance μH (min)	Leakage μH (max)	DC Resistance $\text{m}\Omega$ (max)	
	N1:N2:N3:N4:AUX				
PER23T907031	(7+7):(7+7):7+7):(3+3):(7+7)	630	0.6	60+60	
PER23T912031	(12+12):(7+7):(7+7):(3+3):(7+7)	1900	2.0	240+240	

Dimensions (unit: mm)



Schematic



PRODUCT P/N:PER23T9XXXXX

Rev 01 1/10/17

SOUTHERN CALIFORNIA OFFICE:

15991 Red Hill Avenue, Suite #102,
Tustin, California 92780 USA

Tel:+1-714-460-0718 Fax:+1-714-460-0728

<http://www.palnova.com>

NORTHERN CALIFORNIA OFFICE:

500 Yosemite Drive
Milpitas, CA. 95035 USA

Tel:+1-408-855-8866 Fax:+1-408-855-8868