

RevNo	Revision note	Date	Signature	Checked
B	UPDATED THE DESCRIPTION OF THE TITLE BLOCK	04-23-12		

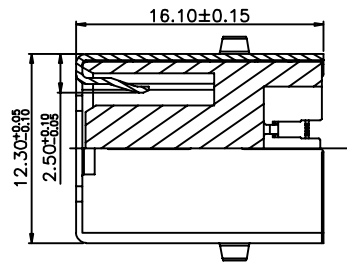
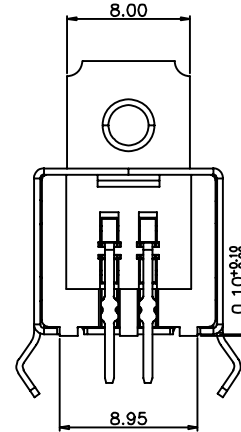
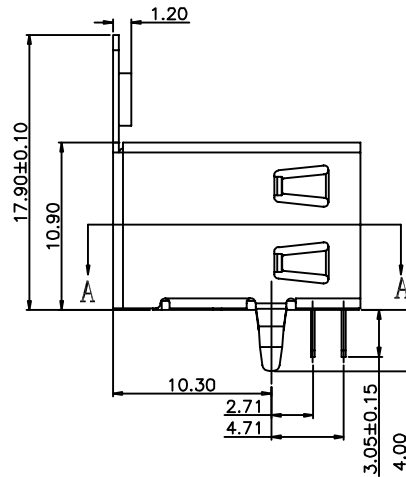
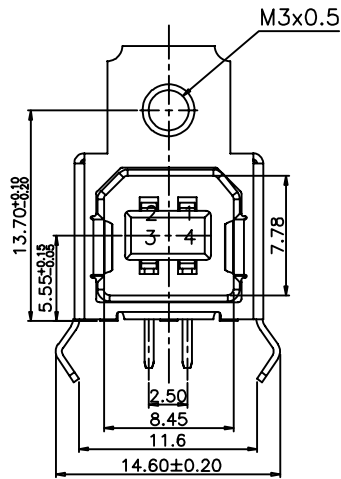
NOTES:

- HOUSING MATERIAL: PBT + 30%GF
- LONG CONTACT MATERIAL: PHR BRONZE,  
T=0.25±0.01mm
- SHORT CONTACT MATERIAL: PHR BRONZE,  
T=0.25±0.01mm
- OUTER SHELL MATERIAL: BRASS C2680R-H,  
T=0.40±0.01mm
- CONTACT PLATING:  
NICKEL UNDERPLATING OVER ALL  
GOLD PLATING AT CONTACT AREA  
TIN PLATING AT SOLDERING AREA
- SHELL PLATING: NICKEL
- ELECTRICAL PERFORMANCES:  
CURRENT RATING: 1.5A AT 250 VAC MIN.  
LOW LEVEL CONTACT RESISTANCE: 30 mΩ MAX.  
INSULATION RESISTANCE: 1000 MΩ MIN.  
DIELECTRIC WITHSTANDING VOLTAGE: 500V AC  
FOR 1 MINUTE

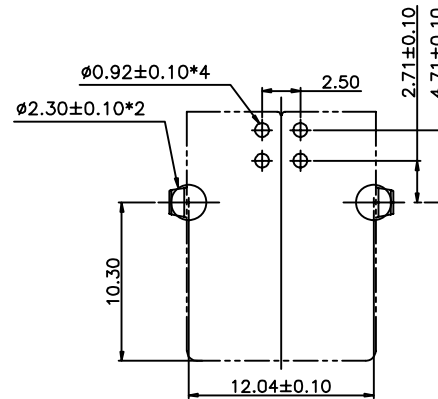
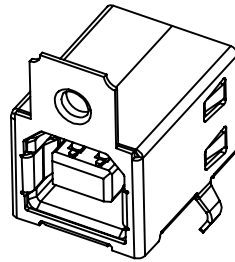
PART NO. CODE:

U2B001 - 4 X X - X X  
① ② ③ ④ ⑤ ⑥

- SERIES:  
U2B001: USB 2.0 CONN, SERIES B,  
SINGLE DECK, RIGHT ANGLE,  
THROUGH HOLE TYPE
- POSITIONS:  
4: 4 POSITIONS
- INSULATOR COLOR:  
K: BLACK  
W: WHITE
- CONTACT PLATING:  
1: Au 1u"  
2: Au 3~5u"  
3: Au 10u"  
4: Au 15u"  
5: Au 30u"
- ENVIRONMENT:  
O: RoHS  
H: HALOGEN FREE
- WAY OF PACKING:  
T: TRAY  
R: TAPE & REEL  
B: WATERPROOF BAG



A-A SECTION



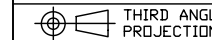
REFERENCE PCB LAYOUT

BILL OF MATERIAL :

ITEM	PART NAME	Q'TY/EA	MATERIAL	PLATING
4	SHELL	1	BRASS	NICKEL PLATING
3	SHORT CONTACT	2	PHOSPHOR BRONZE	NICKEL PLATING
2	LONG CONTACT	2	PHOSPHOR BRONZE	AU OVER Ni
1	HOUSING	1	PBT+30%GF.	N/A

GENERAL TOLERANCES  
( UNLESS SPECIFIED )  
DIMENSION STYLE : MM ( INCH )

	MM	ANGLE°
4 PLACES	± 0.05	± 0.5°
3 PLACES	± 0.05	± 0.5°
2 PLACES	± 0.13	± 1.0°
1 PLACES	± 0.25	± 2.0°
0 PLACES	± 0.38	± 3.0°



FINISH  
SEE NOTES

MATERIAL  
SEE NOTES

DRAWN BY DATE  
R. Ly 04-23-12

CHECKED BY DATE  
A. TENG 04-23-12

APPROVED BY DATE  
--- ---



TITLE  
USB 2.0, 4P, SERIES B, FEMALE, R/A,  
UPPER FLANGE, THRU-HOLE TYPE

SIZE A4 DRAWING NO. U2B001-4XX-XX

SCALE NONE SHEET 1 OF 1 REV. B