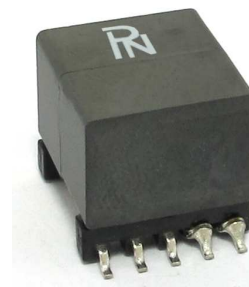


- Designed to meet UL 60950-1
- Ideally Used In POE Transformer
- Isolation 1500 Vrms
- Recommended solder profile:Reflow
- ROHS Compliance Product
- Operating Temperature range: -40°C TO +85°C



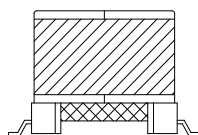
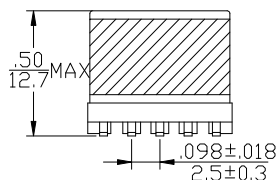
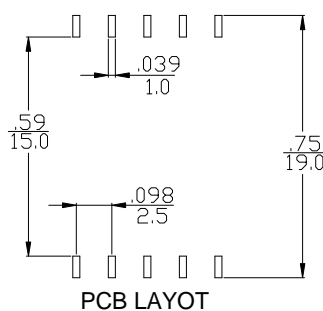
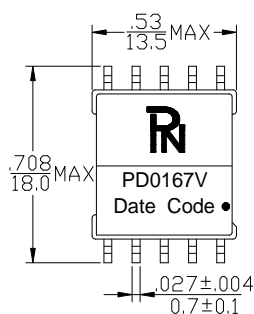
Electrical Specifications @ 25°C

P/N	T/R (±1%)	OCL@ 100KHz 0.1V (μH ±10%)	LL@ 200KHz 0.1V (μH MAX)	Hi-pot (Vrms)
		(3-4):(8,7-10,9):(2-1)	(3-4)	(2-1) ,(tie7+8+9+10)
PD0167V	2:1:1	166.5	2	1500

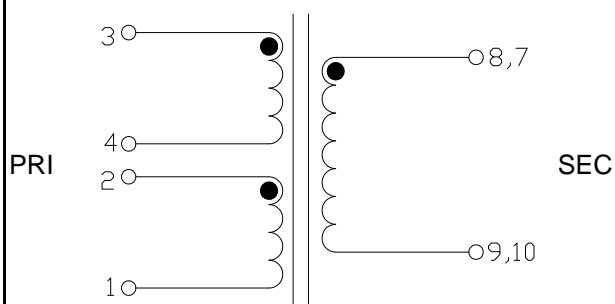
Additional Specifications

P/N	D.C.R (mΩ MAX)		
		(2-1)	(3-4)
PD0167V	1100	760	101

Dimensions (unit: inch/mm)



Schematics



TUSTIN OFFICE:

15991 Red Hill Avenue, Suite #102, Tustin, California 92780 USA

Tel:+1-714-460-0718 Fax:+1-714-460-0728

<http://www.palnova.com>

SANTA CLARA OFFICE:

3000 Kenneth Street, Santa Clara, California 95054 USA

Tel:+1-408-855-8866 Fax:+1-408-855-8868