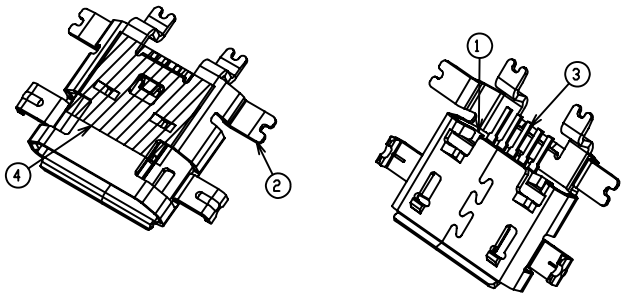
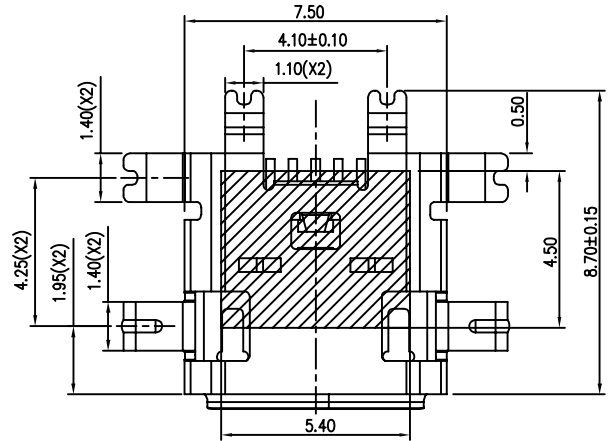
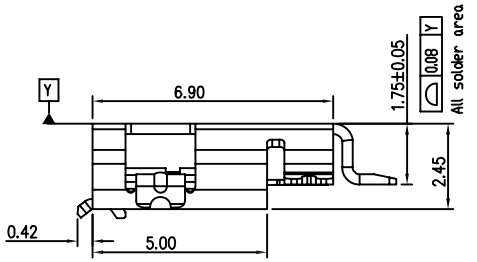
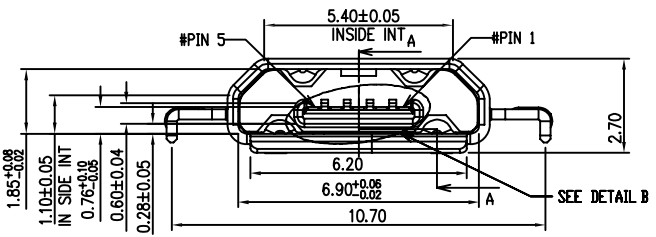


RevNo	Revision note	Date	Signature	Checked
B	REVISED THE TITLE BLOCK	04-25-12		



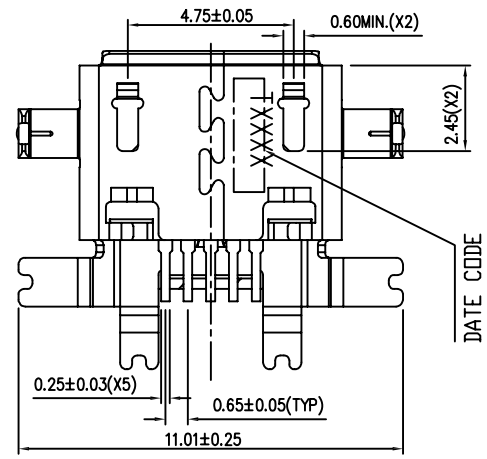
NOTE:

- 1.0 Electrical Specification:
- 1.1 Contact Resistance:
 - Initial: 30 mΩ Maximum
 - After Durability: Change(detail)+10m Ω
 - 1.2 Insulation Resistance:
 - Initial: 100 MΩ Minimum.
 - After testing: 100 MΩ Minimum.
 - 1.3 Dielectric withstanding Voltage:
 - 100V AC for one minute.



2.0 Mechanical Specification:

- 2.1 Mating Force:
 - Initial: 35N Maximum
 - After durability: 35N Maximum
- 2.2 Unmating Force:
 - Initial: 8N Minimum
 - After durability: 8N Minimum
- 2.3 Durability:
 - 10000 cycles (rated: 500cycles/hours).

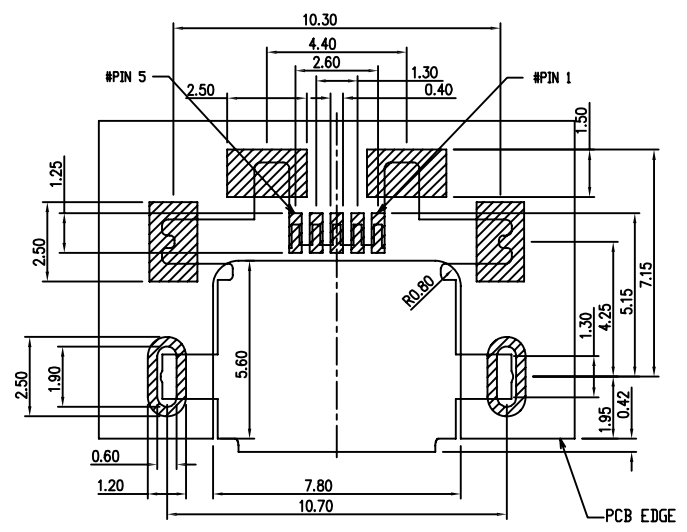
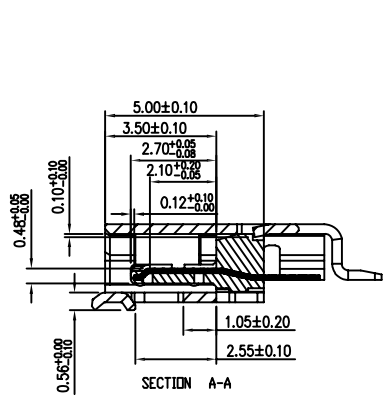


3.0 D/C NO: T XX XX

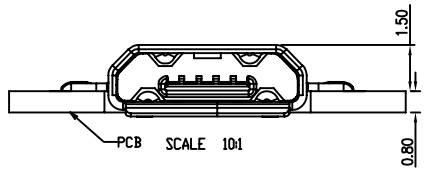
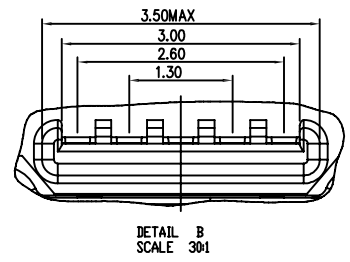
- ① YEAR: YEAR CODE
XX: EG 2011 YEAR, "XX" WITH "11"
- ② WEEK: CYCLE CODE
XX: EG 01/05/2011, "XX" WITH "01";
01/10/2011, "XX" WITH "02"

GENERAL TOLERANCES (UNLESS SPECIFIED) DIMENSION STYLE : MM (INCH)	<table border="1"> <tr> <th></th> <th>MM</th> <th>ANGLE°</th> </tr> <tr> <td>4 PLACES</td> <td>± ---</td> <td>± ---</td> </tr> <tr> <td>3 PLACES</td> <td>± 0.05</td> <td>± ---</td> </tr> <tr> <td>2 PLACES</td> <td>± 0.13</td> <td>± 0.5°</td> </tr> <tr> <td>1 PLACES</td> <td>± 0.25</td> <td>± 1.0°</td> </tr> <tr> <td>0 PLACES</td> <td>± 0.38</td> <td>± 2.0°</td> </tr> </table>			MM	ANGLE°	4 PLACES	± ---	± ---	3 PLACES	± 0.05	± ---	2 PLACES	± 0.13	± 0.5°	1 PLACES	± 0.25	± 1.0°	0 PLACES	± 0.38	± 2.0°	FINISH SEE NOTES	
		MM	ANGLE°																			
4 PLACES	± ---	± ---																				
3 PLACES	± 0.05	± ---																				
2 PLACES	± 0.13	± 0.5°																				
1 PLACES	± 0.25	± 1.0°																				
0 PLACES	± 0.38	± 2.0°																				
		MATERIAL SEE NOTES	TITLE MICRO USB 5P, SERIES B, FEMALE, R/A, REVERSE, SMT TYPE																			
		DRAWN BY R. Ly	DATE 04-25-12	SIZE A4																		
		CHECKED BY A. TENG	DATE 04-25-12	DRAWING NO. MCB002-5KX-XX																		
		APPROVED BY ---	DATE ---	SCALE NONE																		
	THIRD ANGLE PROJECTION			SHEET 1 OF 2																		
				REV. B																		

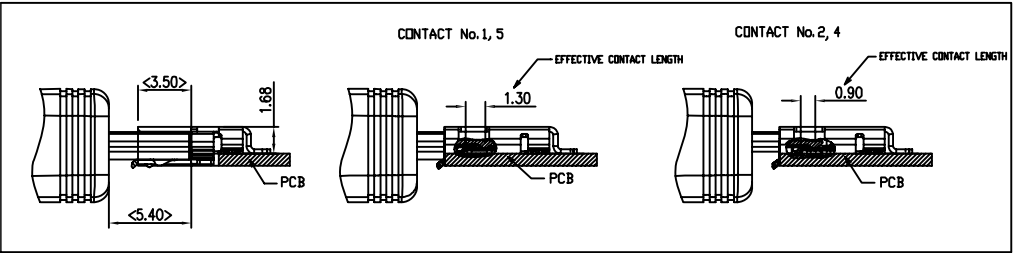
RevNo	Revision note	Date	Signature	Checked
B	REVISED THE TITLE BLOCK	04-25-12		



RECOMMENDED PCB LAYOUT TOLERANCE IS ±0.05mm.



MATING VIEW



1. MATERIALS :
 FRONT SHELL : STAINLESS STEEL, T=0.30mm
 HOUSING : UL 94-V0/BLACK
 CONTACT : PHOSPHOR BRONZE, T=0.15mm

2. PART NO. CODE:
 MCB002 - 5 K X - X X
 ① ② ③ ④ ⑤ ⑥

- ① SERIES:
MCB002: MICRO USB 2.0 CONN, SMT (B TYPE)
- ② POSITIONS:
5: 5 POSITIONS
- ③ INSULATOR COLOR:
K: BLACK
W: WHITE
C: CREAM
- ④ CONTACT PLATING:
1: Au 1u"
2: Au 3~5u"
4: Au 15u"
5: Au 30u"
- ⑤ ENVIRONMENT:
O: RoHS
H: HALOGEN FREE
- ⑥ WAY OF PACKING:
T: TRAY
R: TAPE & REEL
B: WATERPROOF BAG

BILL OF MATERIAL :

ITEM	PART NAME	Q'TY/EA	MATERIAL	FINISH
4	MYLAR	1	HIGH TEMP. MYLAR TAPE	~
3	CONTACT	5	PHOSPHOR BRONZE	AU OVER Ni
2	OUTER SHELL	1	STAINLESS STEEL	PLATING TIN
1	HOUSING	1	THERMOPLASTIC	N/A

GENERAL TOLERANCES
(UNLESS SPECIFIED)
 DIMENSION STYLE : MM < INCH >

	MM	ANGLE°
4 PLACES	± ---	± ---
3 PLACES	± 0.05	± ---
2 PLACES	± 0.13	± 0.5°
1 PLACES	± 0.25	± 1.0°
0 PLACES	± 0.38	± 2.0°

THIRD ANGLE PROJECTION

FINISH	SEE NOTES
MATERIAL	SEE NOTES
DRAWN BY	DATE
R. Ly	04-25-12
CHECKED BY	DATE
A. TENG	04-25-12
APPROVED BY	DATE
---	---

PALCONN

TITLE: MICRO USB 5P, SERIES B, FEMALE, R/A, REVERSE, SMT TYPE

SIZE: A4 DRAWING NO.

SCALE: NONE SHEET 2 OF 2 REV. B