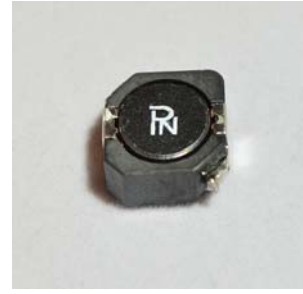


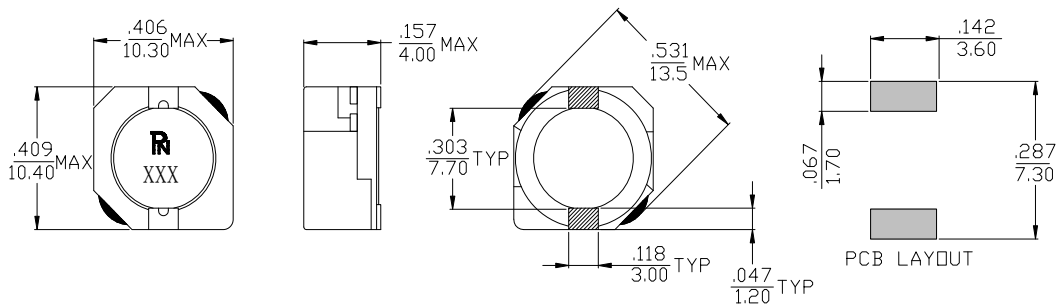
- Large Current and Low DCR
- Magnetically shielded construction
- Current capability up to 10A
- Recommended solder profile:Reflow
- ROHS Compliance Product
- Operating Temperature range: -40°C TO +85°C



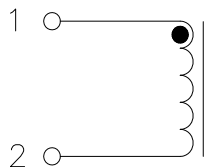
### Electrical Specifications @ 25°C

P/N	OCL@100KHz 0.1V ( $\mu\text{H}\pm 30\%$ )	D.C.R (m $\Omega$ MAX)	RATED CURRENT (A MAX)
PDRH104R-1R5N	1.5	8.1	10.00
PDRH104R-2R5N	2.5	10	7.50
PDRH104R-3R8N	3.8	13	6.00
PDRH104R-5R2N	5.2	22	5.50
PDRH104R-7R0N	7	27	4.80
PDRH104R-100N	10	35	4.40
PDRH104R-150N	15	50	3.60
PDRH104R-220N	22	73	2.90
PDRH104R-330N	33	93	2.30
PDRH104R-470N	47	128	2.10
PDRH104R-680N	68	213	1.50
PDRH104R-101N	100	304	1.35
PDRH104R-151N	150	506	1.15
PDRH104R-221N	220	756	0.92
PDRH104R-331N	330	1090	0.70

### Dimensions (unit: inch/mm)



### Schematics



#### TUSTIN OFFICE:

15991 Red Hill Avenue, Suite #102, Tustin,  
California 92780 USA

Tel:+1-714-460-0718 Fax:+1-714-460-0728

<http://www.palnova.com>

#### SANTA CLARA OFFICE:

3000 Kenneth Street, Santa Clara,  
California 95054 USA

Tel:+1-408-855-8866 Fax:+1-408-855-8868