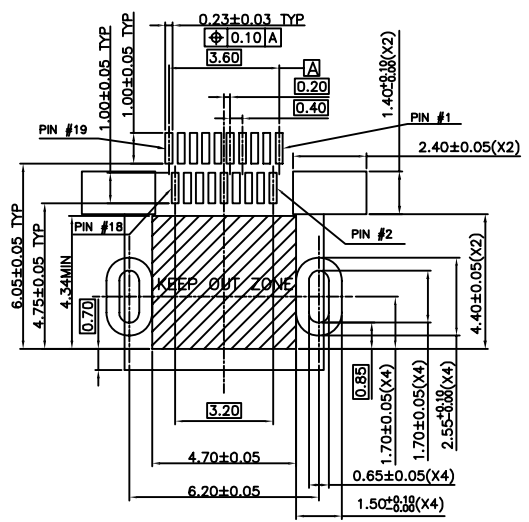
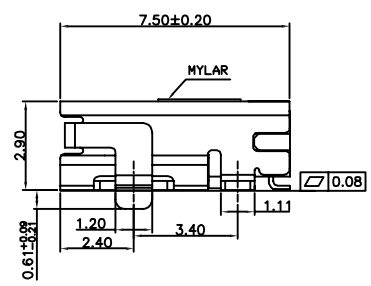
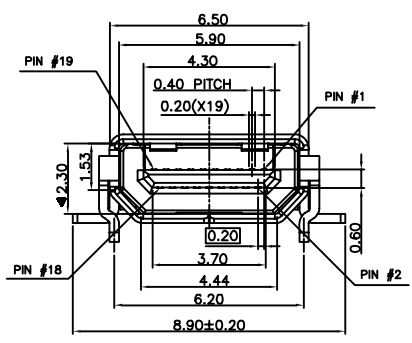
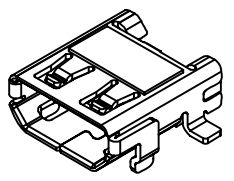
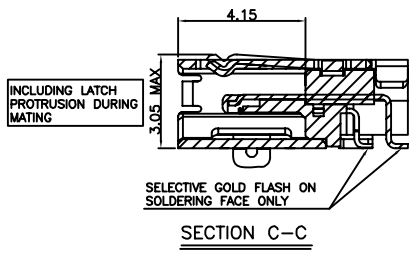
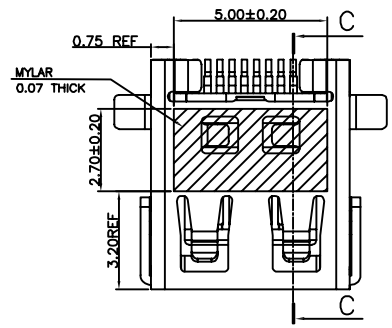
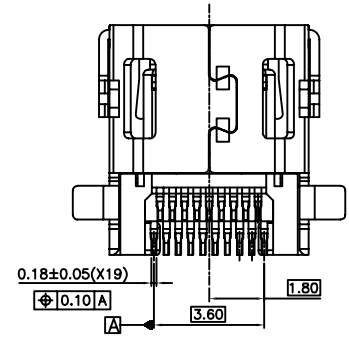


RevNo	Revision note	Date	Signature	Checked
A	NEW RELEASE	03-01-12		



RECOMMENDED P.C.B.LAYOUT



NOTES:

- MATERIAL:
HOUSING: THERMOPLASTIC
TERMINAL: PHOSPHOR BRONZE
SHELL: STAINLESS STEEL
- CONTACT PLATING:
NICKEL UNDERPLATING OVER ALL
GOLD PLATING AT CONTACT AREA
GOLD FLASH AT SOLDERING AREA
- SHELL PLATING: Sn PLATING OVER ALL
- PACKAGING SPECIFICATION: TAPE & REEL
- TERMINAL SOLDER-TAIL COPLANARITY 0.08MM MAX
- ELECTRICAL:
INSULATION RESISTANCE: 100 MΩ MIN.
CONTACT RESISTANCE: 30 mΩ MAX.
DIELECTRIC WITHSTANDING VOLTAGE: 500V AC
FOR 1 MINUTE

CURRENT RATING: 0.5A
VOLTAGE RATING: 40V AC

PART NO. CODE:

HDM017 - K K X - X X
① ② ③ ④ ⑤ ⑥

- SERIES:
HDM017: MICRO HDMI SMT D TYPE, R/A
- POSITIONS:
K: 19 POSITIONS
- INSULATOR COLOR:
K: BLACK
W: WHITE
- CONTACT PLATING:
1: Au 1u"
2: Au 3~5u"
4: Au 15u"
5: Au 30u"
- ENVIRONMENT:
0: RoHS
H: HALOGEN FREE
- WAY OF PACKING:
T: TRAY
R: TAPE & REEL
B: WATERPROOF BAG

6	MYLAR	1pc	PET	N/A
5	SHELL	1pc	STAINLESS STEEL	Sn OVER Ni
4	10PIN TERMINAL	1SET	PHOSPHOR BRONZE	Au OVER Ni
3	9PIN TERMINAL	1SET	PHOSPHOR BRONZE	Au OVER Ni
2	10PIN INSERT MOLDING	1pc	THERMOPLASTIC	N/A
1	9PIN INSERT MOLDING	1pc	THERMOPLASTIC	N/A
ITEM	PART NAME	Q'TY	MATERIAL	PLATING

GENERAL TOLERANCES (UNLESS SPECIFIED) DIMENSION STYLE : MM < INCH >		
	MM	ANGLE°
4 PLACES	± ---	± ---
3 PLACES	± 0.05	± ---
2 PLACES	± 0.13	± 0.5°
1 PLACES	± 0.25	± 1.0°
0 PLACES	± 0.38	± 2.0°
THIRD ANGLE PROJECTION		

FINISH		SEE NOTES
MATERIAL		SEE NOTES
DRAWN BY	DATE	
R. LY	03-01-12	
CHECKED BY	DATE	
A. TENG	03-01-12	
APPROVED BY	DATE	
---	---	



TITLE MICRO HDMI D TYPE CONNECTOR, 19P, FEMALE, RIGHT ANGLE, SMT			
SIZE	DRAWING NO.		
A4	HDM017-KKX-XX		
SCALE	SHEET	1 OF 1	REV.
NONE			A