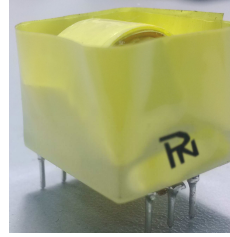
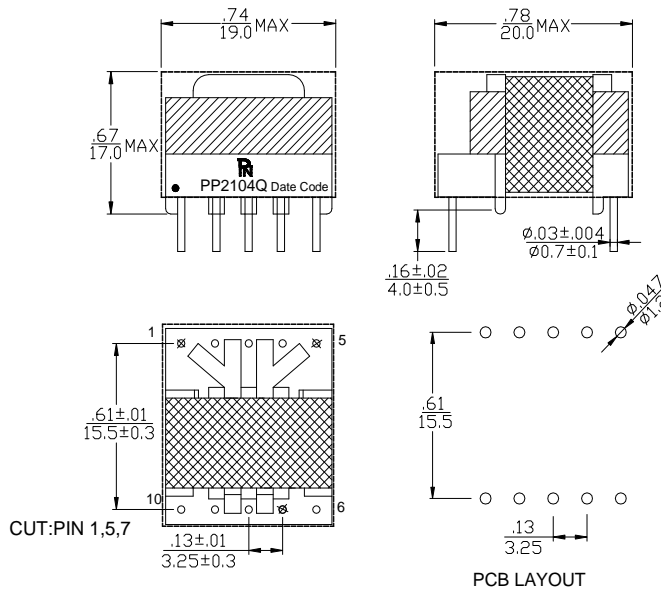


- Designed to meet UL 60950-1
- Core Material Ferrite
- Isolation 3000 Vrms
- Recommended solder profile: Wave soldering
- ROHS Compliance Product
- Operating Temperature range: 0°C TO +70°C

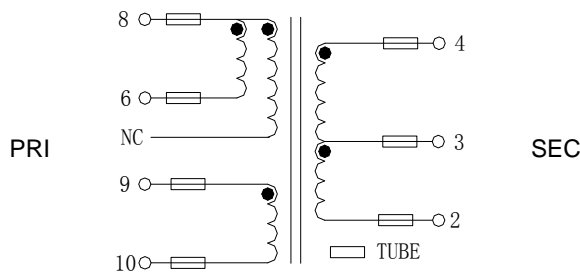


Electrical Specifications @ 25°C					
P/N	T/R (±2%)	OCL@10KHz 0.1V (mH±10%)	LL@100KHz 0.1V (µH MAX)	D.C.R (Ω MAX)	Hi-pot (Vrms)
	(8-6):(9-10):(4-3):(3-2)	(8-6)	(8-6) ,(tie2+3+4+9+10)	(8-6)	PRI TO SEC
PP2104Q	124:18:11:5	2	80	5	3000

### Dimensions (unit: inch/mm)



### Schematics



#### TUSTIN OFFICE:

15991 Red Hill Avenue, Suite #102, Tustin,  
California 92780 USA

Tel:+1-714-460-0718 Fax:+1-714-460-0728

<http://www.palnova.com>

#### SANTA CLARA OFFICE:

3000 Kenneth Street, Santa Clara,  
California 95054 USA

Tel:+1-408-855-8866 Fax:+1-408-855-8868