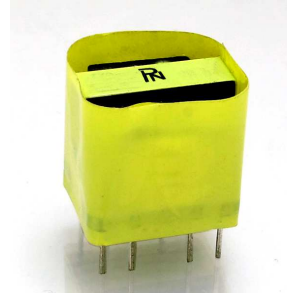


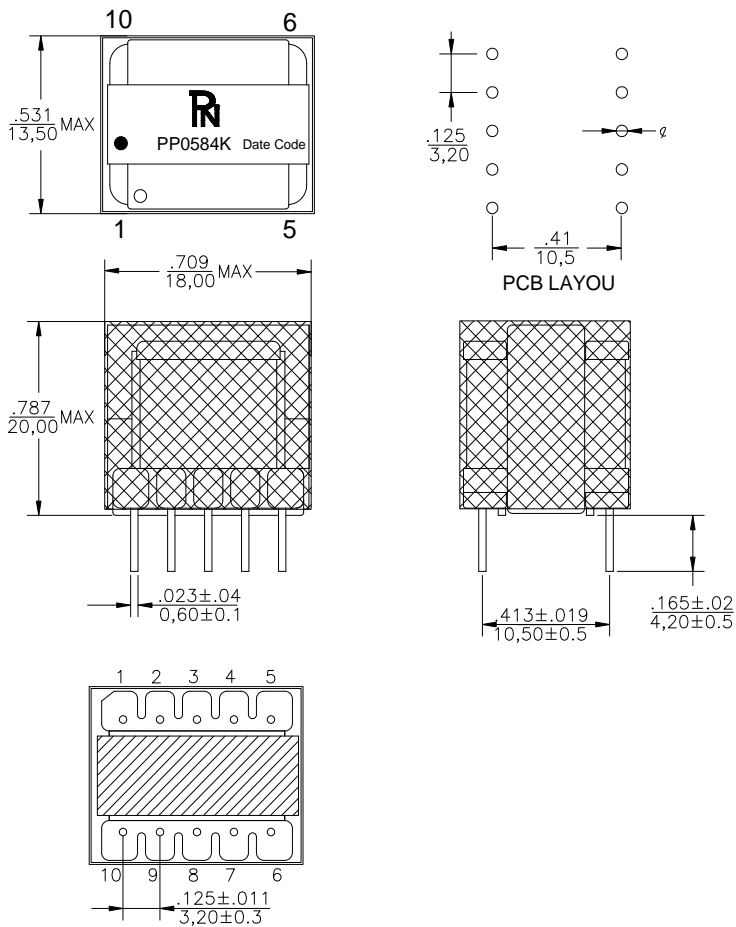
- Designed to meet UL 60950-1
- Core Material Ferrite
- Isolation 3000 Vrms
- Recommended solder profile: Wave soldering
- ROHS Compliance Product
- Operating Temperature range: 0°C TO +70°C



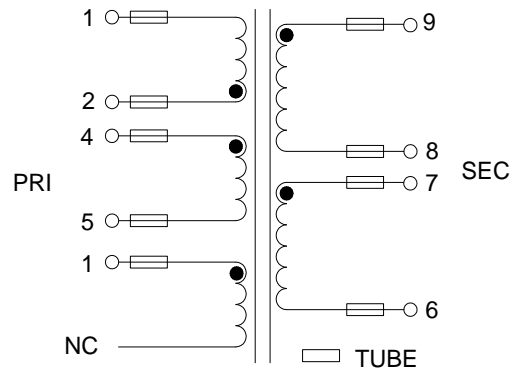
Electrical Specifications @ 25°C

P/N	T/R (±2%)	OCL@50KHz 1.0V (mH±10%)	LL@100KHz 1.0V (µH MAX)	Hi-pot (Vrms)
	(2-1):(4-5):(7-6):(9-8)	(2-1)	(2-1), (tie3+4+5+6+7+8+9)	PRI TO SEC
PP0584K	104:5:5:7	2.25	90	3000

Dimensions (unit: inch/mm)



Schematics



TUSTIN OFFICE:

15991 Red Hill Avenue, Suite #102, Tustin, California 92780 USA

Tel:+1-714-460-0718 Fax:+1-714-460-0728

<http://www.palnova.com>

SANTA CLARA OFFICE:

3000 Kenneth Street, Santa Clara, California 95054 USA

Tel:+1-408-855-8866 Fax:+1-408-855-8868