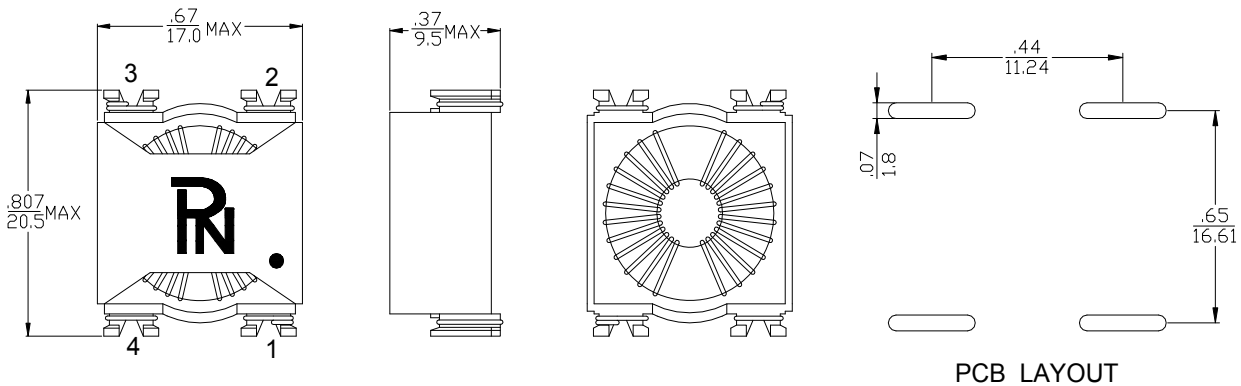


- Common mode chokes for telecom applications
- Excellent EMI performance
- Current capability up to 2.0A
- Recommended solder profile:Reflow
- ROHS Compliance Product
- Operating Temperature range: -40°C TO +85°C

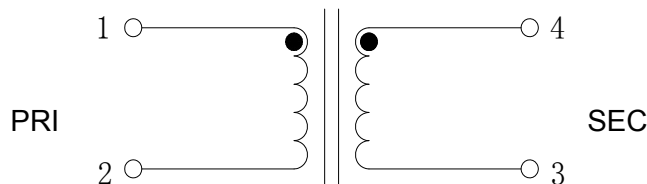
Electrical Specifications @ 25°C

P/N	T/R (±2%)	OCL@100KHz 0.1V (mH ±30%)	DCR (mΩ MAX)	Hi-pot Vrms
PC13004	(1-2):(3-4)	(1-2)=(3-4)	(1-2)=(3-4)	(1-2) TO (3-4)
	1: 1	3	120	500

Dimensions (unit: inch/mm)



Schematics



TUSTIN OFFICE:

15991 Red Hill Avenue, Suite #102, Tustin,
California 92780 USA

Tel:+1-714-460-0718 Fax:+1-714-460-0728

<http://www.palnova.com>

SANTA CLARA OFFICE:

3000 Kenneth Street, Santa Clara,
California 95054 USA

Tel:+1-408-855-8866 Fax:+1-408-855-8868