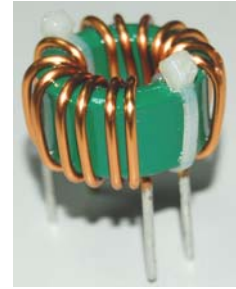


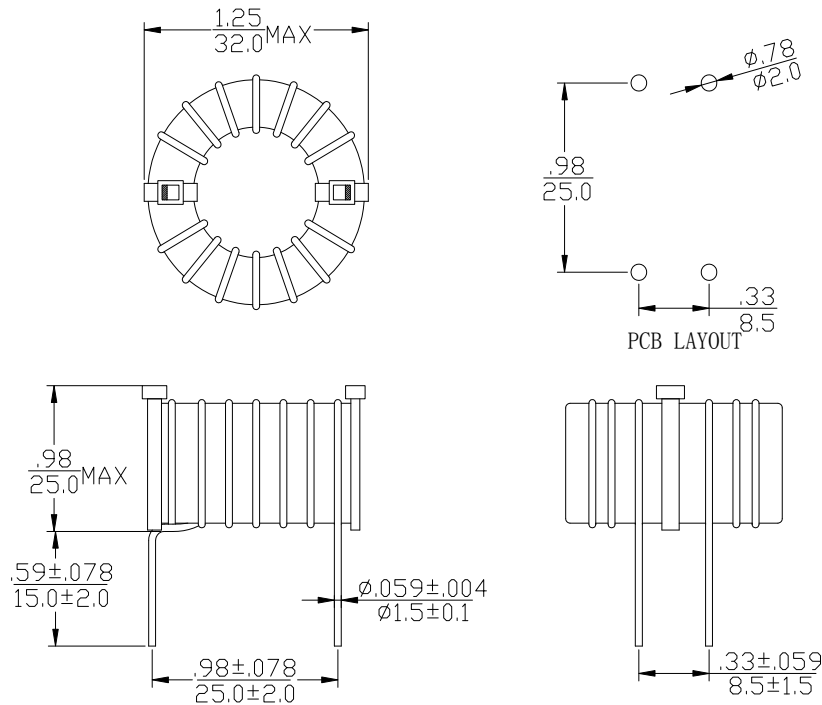
- Excellent EMI performance
- Suppression for common mode noise
- Current capability up to 12A
- Recommended solder profile: Wave soldering
- ROHS Compliance Product
- Operating Temperature range: 0°C TO +70°C



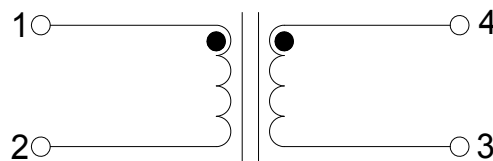
### Electrical Specifications @ 25°C

P/N	T/R	OCL @1KHz 0.25V ( $\mu$ H MIN )	DCR (m $\Omega$ MAX)	Rated Current (A MAX)
PH25003	(1-2):(4-3)	(1-2)=(3-4)	(1-2)=(3-4)	(1-2)=(3-4)
	1:1	350	15	12

### Dimensions (unit: inch/mm)



### Schematics



#### TUSTIN OFFICE:

15991 Red Hill Avenue, Suite #102, Tustin,  
California 92780 USA

Tel:+1-714-460-0718 Fax:+1-714-460-0728

<http://www.palnova.com>

#### SANTA CLARA OFFICE:

3000 Kenneth Street, Santa Clara,  
California 95054 USA

Tel:+1-408-855-8866 Fax:+1-408-855-8868