

- Large Current and Low DCR
- Magnetically shielded construction
- Current capability up to 9.8A
- Recommended solder profile:Reflow
- ROHS Compliance Product
- Operating Temperature range: -40°C TO +85°C



Electrical Specifications @ 25°C

P/N	OCL@100KHz 0.1V	D.C.R (mΩ MAX)	RATED CURRENT (A MAX)
PDRH127-1R2N	1.2μH±30%	7	9.80
PDRH127-2R4N	2.4μH±30%	12	8.00
PDRH127-3R5N	3.5μH±30%	14	7.50
PDRH127-4R7N	4.7μH±30%	16	6.80
PDRH127-6R1N	6.1μH±30%	18	6.60
PDRH127-7R6N	7.6μH±30%	20	5.90
PDRH127-100M	10μH±20%	22	5.40
PDRH127-120M	12μH±20%	24	4.90
PDRH127-150M	15μH±20%	27	4.50
PDRH127-180M	18μH±20%	39	3.90
PDRH127-220M	22μH±20%	43	3.60
PDRH127-270M	27μH±20%	46	3.40
PDRH127-330M	33μH±20%	65	3.00
PDRH127-390M	39μH±20%	73	2.75
PDRH127-470M	47μH±20%	100	2.50
PDRH127-560M	56μH±20%	110	2.35
PDRH127-680M	68μH±20%	140	2.10
PDRH127-820M	82μH±20%	160	1.95
PDRH127-101M	100μH±20%	220	1.70
PDRH127-121M	120μH±20%	250	1.60
PDRH127-151M	150μH±20%	280	1.42
PDRH127-181M	180μH±20%	350	1.30
PDRH127-221M	220μH±20%	390	1.16
PDRH127-271M	270μH±20%	560	1.06
PDRH127-331M	330μH±20%	640	0.95
PDRH127-391M	390μH±20%	700	0.88
PDRH127-471M	470μH±20%	980	0.79
PDRH127-561M	560μH±20%	1070	0.73
PDRH127-681M	680μH±20%	1460	0.67
PDRH127-821M	820μH±20%	1640	0.60
PDRH127-102M	1000μH±20%	1820	0.55

TUSTIN OFFICE:

15991 Red Hill Avenue, Suite #102, Tustin,
California 92780 USA

Tel:+1-714-460-0718 Fax:+1-714-460-0728

<http://www.palnova.com>

SANTA CLARA OFFICE:

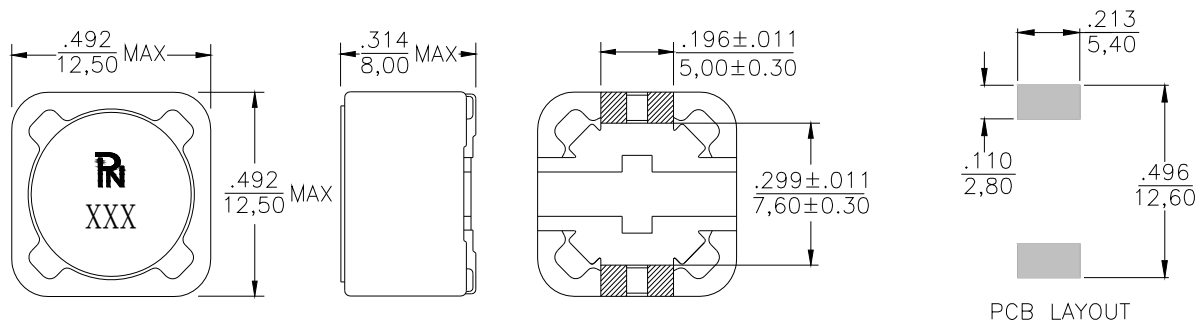
3000 Kenneth Street, Santa Clara,
California 95054 USA

Tel:+1-408-855-8866 Fax:+1-408-855-8868

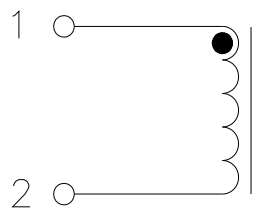


SHIELDED SURFACE MOUNT POWER INDUCTOR

Dimensions (unit: inch/mm)



Schematics



TUSTIN OFFICE:

15991 Red Hill Avenue, Suite #102, Tustin,
California 92780 USA

Tel:+1-714-460-0718 Fax:+1-714-460-0728

<http://www.palnova.com>

SANTA CLARA OFFICE:

3000 Kenneth Street, Santa Clara,
California 95054 USA

Tel:+1-408-855-8866 Fax:+1-408-855-8868