

- Large Current and Low DCR
- Magnetically shielded construction
- Current capability up to 8A
- Recommended solder profile: Reflow
- ROHS Compliance Product
- Operating Temperature range: -40°C TO +85°C



Electrical Specifications @ 25°C

P/N	OCL@100KHz 0.1V	D.C.R (mΩ MAX)	RATED CURRENT (A MAX)
PDRH125-1R3N	1.3μH+30%/-20%	12	8.00
PDRH125-2R1N	2.1μH+30%/-20%	14	7.00
PDRH125-3R1N	3.1μH+30%/-20%	17	6.00
PDRH125-4R4N	4.4μH+30%/-20%	20	5.00
PDRH125-5R8N	5.8μH+30%/-20%	21	4.40
PDRH125-7R5N	7.5μH+30%/-20%	24	4.20
PDRH125-7R6N	7.6μH+30%/-20%	26.5	4.50
PDRH125-100M	10μH±20%	25	4.00
PDRH125-120M	12μH±20%	27	3.50
PDRH125-150M	15μH±20%	30	3.30
PDRH125-180M	18μH±20%	34	3.00
PDRH125-220M	22μH±20%	36	2.80
PDRH125-270M	27μH±20%	51	2.30
PDRH125-330M	33μH±20%	57	2.10
PDRH125-390M	39μH±20%	68	2.00
PDRH125-470M	47μH±20%	75	1.80
PDRH125-560M	56μH±20%	110	1.70
PDRH125-680M	68μH±20%	120	1.50
PDRH125-820M	82μH±20%	140	1.40
PDRH125-101M	100μH±20%	160	1.30
PDRH125-121M	120μH±20%	170	1.10
PDRH125-151M	150μH±20%	230	1.00
PDRH125-181M	180μH±20%	290	0.90
PDRH125-221M	220μH±20%	400	0.80
PDRH125-271M	270μH±20%	460	0.75
PDRH125-331M	330μH±20%	510	0.68
PDRH125-391M	390μH±20%	690	0.65
PDRH125-471M	470μH±20%	770	0.58
PDRH125-561M	560μH±20%	860	0.54
PDRH125-681M	680μH±20%	1200	0.48
PDRH125-821M	820μH±20%	1340	0.43
PDRH125-102M	1000μH±20%	1530	0.40

TUSTIN OFFICE:

15991 Red Hill Avenue, Suite #102, Tustin,
California 92780 USA

Tel:+1-714-460-0718 Fax:+1-714-460-0728

<http://www.palnova.com>

SANTA CLARA OFFICE:

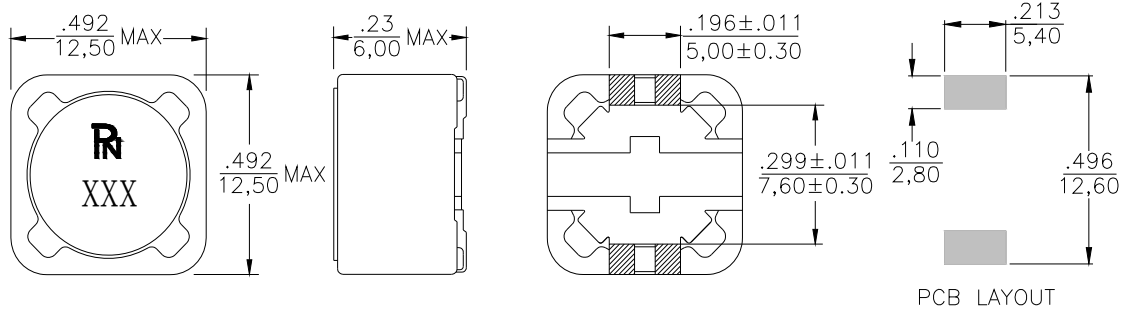
3000 Kenneth Street, Santa Clara,
California 95054 USA

Tel:+1-408-855-8866 Fax:+1-408-855-8868

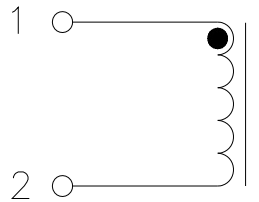


SHIELDED SURFACE MOUNT POWER INDUCTOR

Dimensions (unit: inch/mm)



Schematics



TUSTIN OFFICE:

15991 Red Hill Avenue, Suite #102, Tustin,
California 92780 USA
Tel:+1-714-460-0718 Fax:+1-714-460-0728
<http://www.palnova.com>

SANTA CLARA OFFICE:

3000 Kenneth Street, Santa Clara,
California 95054 USA
Tel:+1-408-855-8866 Fax:+1-408-855-8868