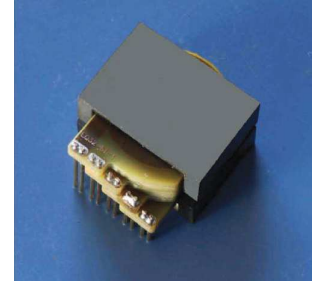




PLANAR TRANSFORMERS

PEQ32 15A SERIES

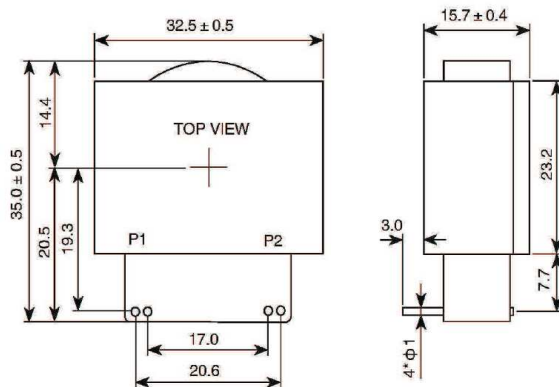
- Use EQ32 planar magnetic core, multilayer PCB technique
- Use for DC/DC module power, max output rated current 15A RMS
- Working frequency: 100K - 300K
- Outline dimension: 35 x 32.5 x 15.7 mm
- Insulation and withstand voltage between magnetic: 0.5KVDC
- Working temperature range: -40°C - +85°C
- Weight: ≤75g



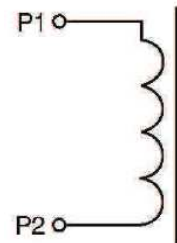
Electrical Specifications			
Part Number	Inductance μH	DC Resistance mΩ (max)	I rated (DC) A RMS
PEQ32L801151	71~80	11	15

Remarks: The inductance can be customized according to customer demand.

Dimensions (unit: mm)



Schematic



PRODUCT P/N: PEQ32L801151

Rev 01 1/10/17

SOUTHERN CALIFORNIA OFFICE:

NORTHERN CALIFORNIA OFFICE:

15991 Red Hill Avenue, Suite #102,
Tustin, California 92780 USA

500 Yosemite Drive
Milpitas, CA. 95035 USA

Tel:+1-714-460-0718 Fax:+1-714-460-0728

Tel:+1-408-855-8866 Fax:+1-408-855-8868

<http://www.palnova.com>