

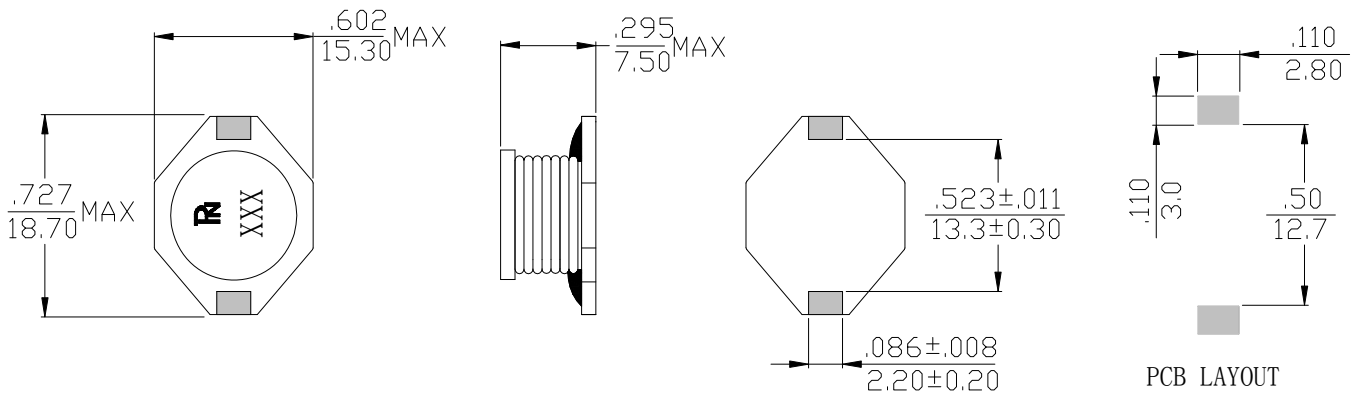
- Large Current and Low DCR
- DC/DC-converter
- Current capability up to 2.6A
- Recommended solder profile:Reflow
- ROHS Compliance Product
- Operating Temperature range: -40°C TO +85°C



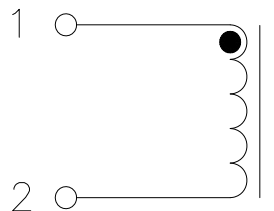
### Electrical Specifications @ 25°C

P/N	OCL@100KHz 0.1V ( $\mu\text{H}\pm 20\%$ )	D.C.R (m $\Omega$ MAX)	RATED CURRENT (A MAX)
PDB1306-470M	47	86	2.60
PDB1306-680M	68	130	2.30
PDB1306-221M	220	380	1.20

### Dimensions (unit: inch/mm)



### Schematics



#### TUSTIN OFFICE:

15991 Red Hill Avenue, Suite #102, Tustin,  
California 92780 USA

Tel:+1-714-460-0718 Fax:+1-714-460-0728

<http://www.palnova.com>

#### SANTA CLARA OFFICE:

3000 Kenneth Street, Santa Clara,  
California 95054 USA

Tel:+1-408-855-8866 Fax:+1-408-855-8868