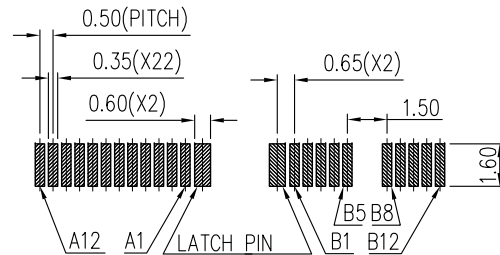
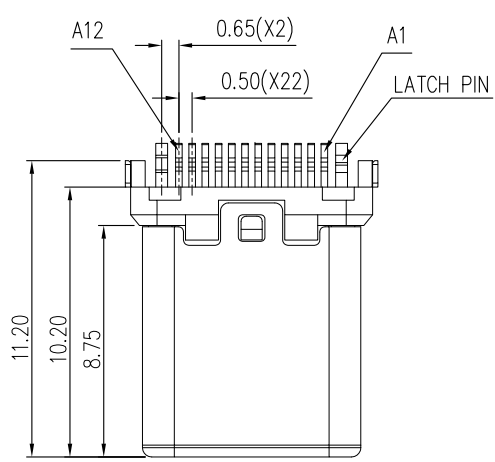


ABIDE BY ROHS,MEETS PT ENVIRONMENTAL Q3-7584

REV.	DESCRIPTION	ECN NO.	NEW DESIGNER
A	NEW RELEASE	\	Genway 2016.04.22



TOP SIDE BOTTOM SIDE
 RECOMMENDED P.C.B LAYOUT
 (T=1.00±0.05mm)

PIN DEFINITION			
PIN	Signal Name	PIN	Signal Name
A1	GND	B12	GND
A2	TX1+	B11	RX1+
A3	TX1-	B10	RX1-
A4	VBUS	B9	VBUS
A5	CC	B8	SBU2
A6	D+	B7	
A7	D-	B6	
A8	SBU1	B5	VCONN
A9	VBUS	B4	VBUS
A10	RX2-	B3	TX2-
A11	RX2+	B2	TX2+
A12	GND	B1	GND

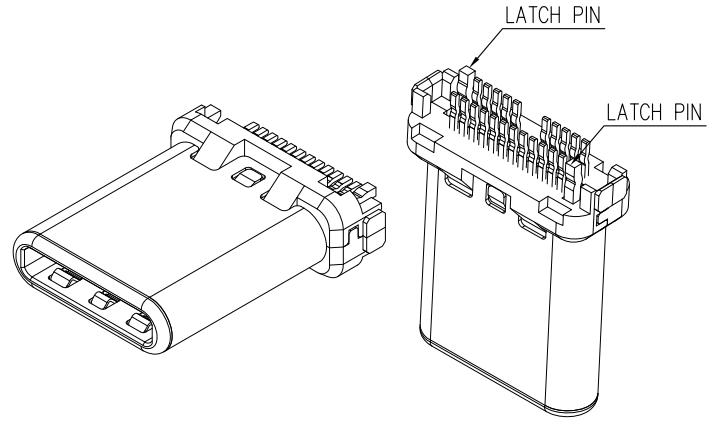
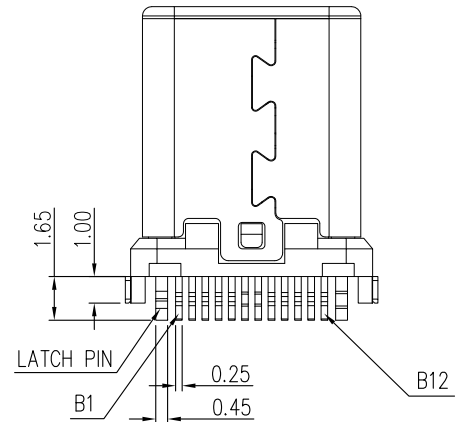
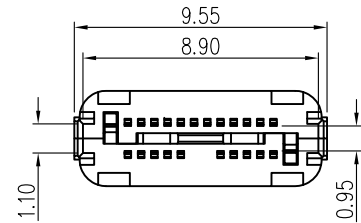
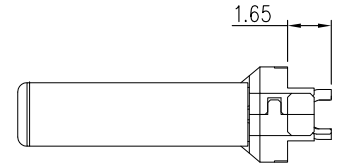
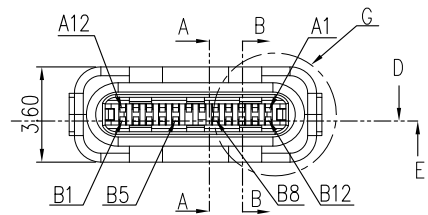
NOTES:

- MATERIALS:**
 SHELL: STAINLESS STEEL, T=0.15±0.01mm
 SPRING: STAINLESS STEEL, T=0.10±0.01mm
 LATCH: STAINLESS STEEL, T=0.40±0.01mm
 HOUSING: THERMOPLASTIC
 CONTACT: COPPER ALLOY, T=0.20±0.01mm
- PLATING:**
 CONTACT: CONTACT AREA Au PLATED 30u"Min. OR REFER TO THE PART NO. CODE DEFINED. UNDER PLATE 80u"Min. NICKEL OVERALL. 120u" Min. TIN PLATING ON SOLDER TAIL
 LATCH: UNDER PLATE 50u"Min. NICKEL OVERALL 120u" Min. TIN PLATING ON SOLDER TAIL
 SHELL: 30u"Min. NICKEL PLATING OVERALL
- ELECTRICAL PERFORMANCE:**
 INSULATION RESISTANCE: 100Mohm MIN.
 CONTACT RESISTANCE: 40mohm MAX.
 DIELECTRIC WITHSTANDING: 100 VAC
 CURRENT RATING: 5A MAX.
- MECHANICAL PERFORMANCE:**
 MATING FORCE: 5~20N
 UNMATING FORCE: 8~20N
 DURABILITY: 10000 CYCLES

PART NO. CODE

UTC002- N K 5 - H R
 ① ② ③ ④ ⑤ ⑥

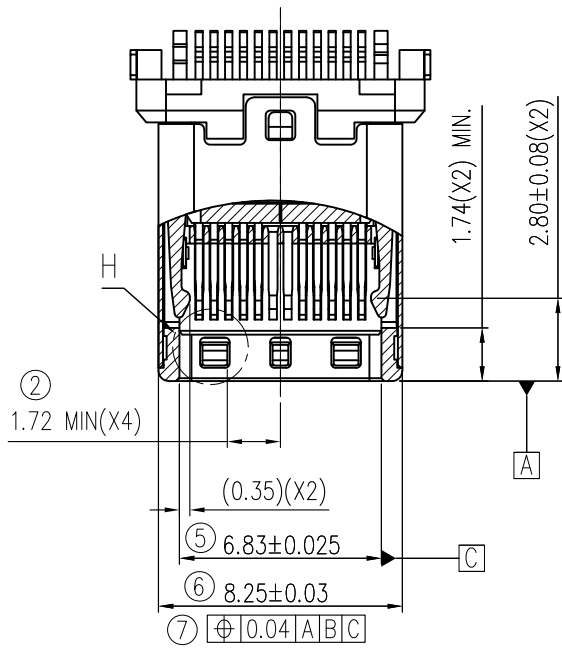
- SERIES:**
 UTC002: USB TYPE-C FULL-FEATURED SMT PLUG, 22 POSITIONS
- POSITIONS:**
 N: 22 POSITIONS.
- INSULATOR COLOR:**
 K: BLACK
 W: WHITE
- CONTACT PLATING:**
 2: PLATED AU 3U" MIN
 3: PLATED AU 10U" MIN
 5: PLATED AU 30U" MIN
- ENVIRONMENT:**
 O: RoHS
 H: HALOGEN FREE
- WAY OF PACKING:**
 T: TRAY
 R: TAPE & REEL



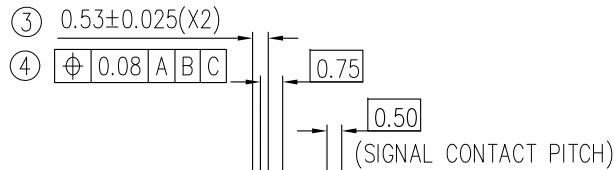
GENERAL TOLERANCE X. ±0.38 .X ±0.25 .XX ±0.20 .XXX ±0.15	ANGLE TOLERANCE X.* ±2.0° .X.* ±1.0° .XX.* ±0.5°	NAME (INTENDED USE): CUSTOMER DRAWING PART NO. CODE: UTC002-N**-**	 PALCONN TECHNOLOGY CO.,LTD. TITLE: USB TYPE-C FULL-FEATURED PLUG, 22 POSITIONS SMT TYPE		
MAJOR (QC CHECKED) ▽= places	SCALE: 1:1	APPROVED: Brian 2016.04.22			
CRITICAL: ▽= places	UNIT: mm	CHECKED: Genway 2016.04.22	SERIES:	USB TYPE C	SIZE: A4
SHEET 1 OF 4	DESIGN: Jun 2016.04.22	DRAWING NO.: C-UTC002-00	REV.: A		

ABIDE BY ROHS, MEETS PT ENVIRONMENTAL Q3-7584

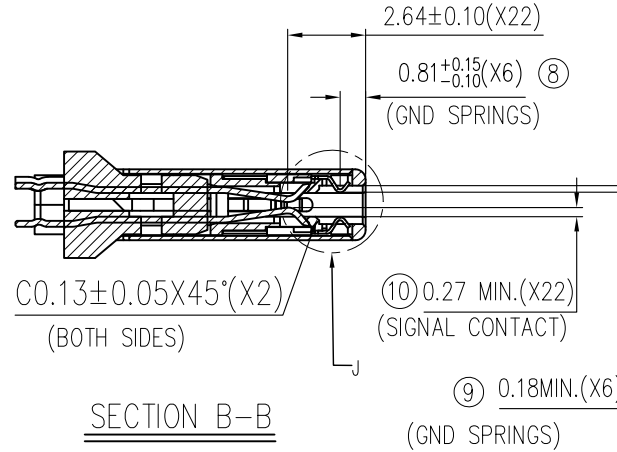
REV.	DESCRIPTION	ECN NO.	NEW DESIGNER
A	NEW RELEASE	\	Genway 2016.04.22



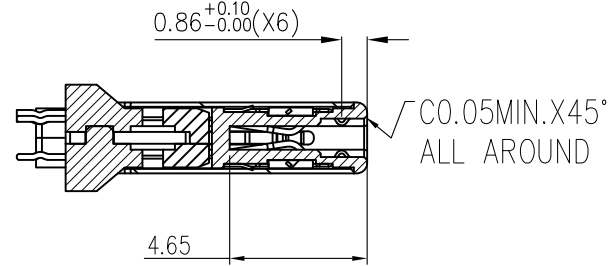
SECTION D-D
SCALE: 1:1



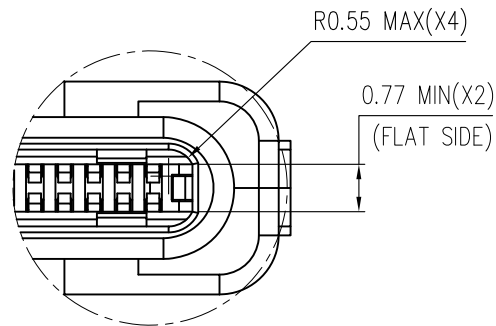
SECTION E-E
SCALE: 1:1



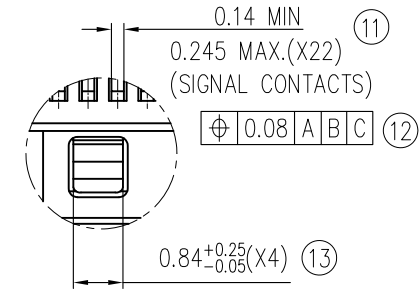
SECTION B-B
SCALE: 1:1



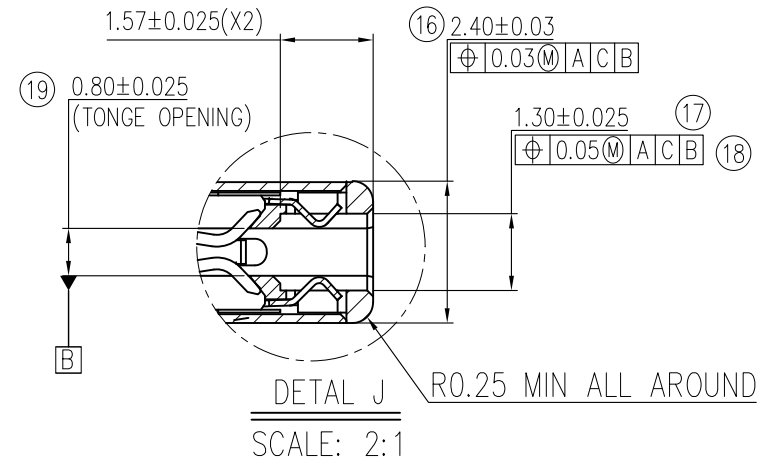
SECTION A-A
SCALE: 1:1




DETAIL G
SCALE: 2:1



DETAIL H
SCALE: 2:1

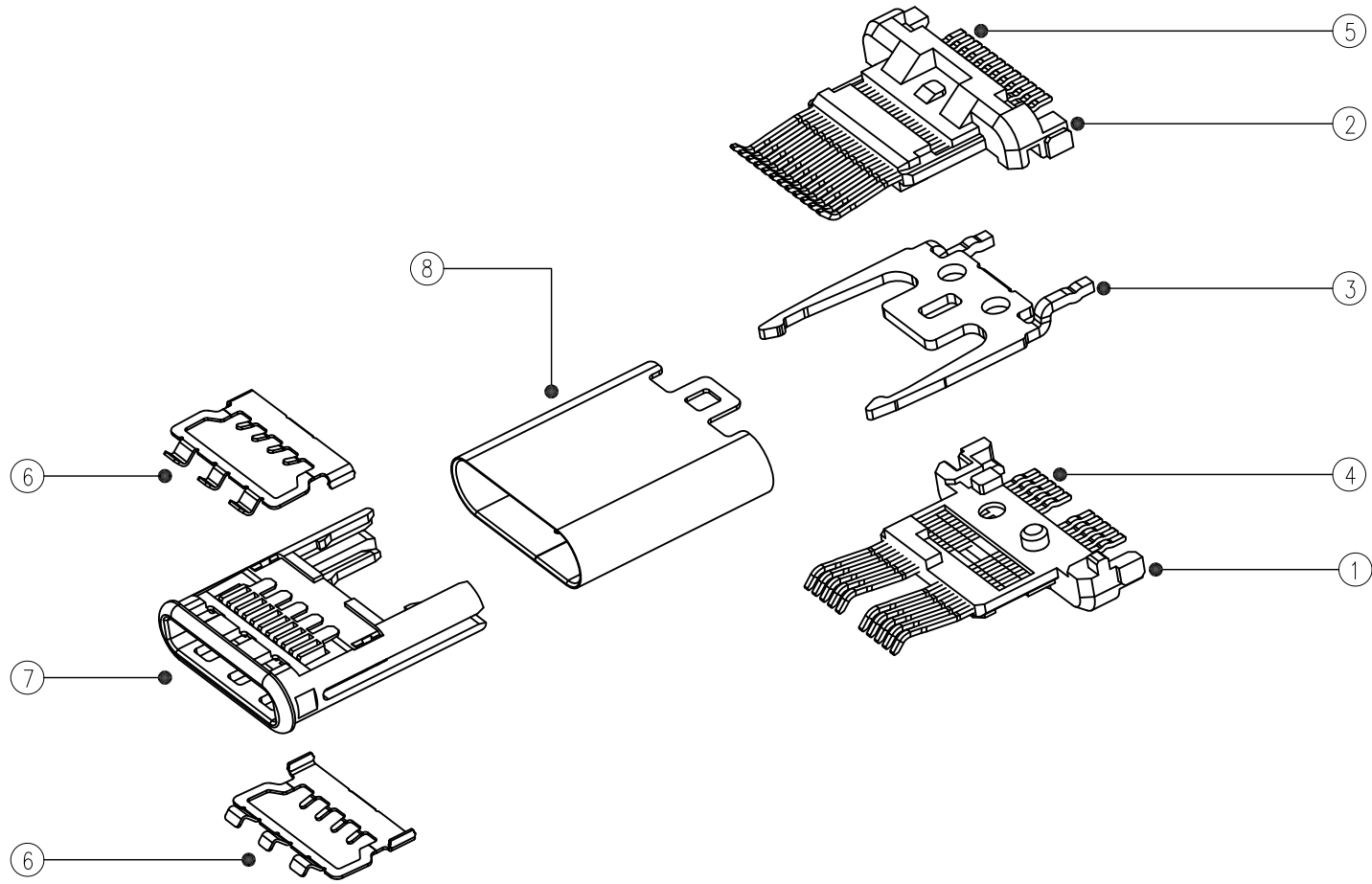


DETAIL J
SCALE: 2:1

GENERAL TOLERANCE X. ±0.38 .X ±0.25 .XX ±0.20 .XXX ±0.15	ANGLE TOLERANCE X.° ±2.0° .X.° ±1.0° .XX.° ±0.5°	NAME (INTENDED USE): CUSTOMER DRAWING PART NO. CODE: UTC002-N**-**	 PALCONN TECHNOLOGY CO.,LTD. TITLE: USB TYPE-C FULL-FEATURED PLUG, 22 POSITIONS SMT TYPE		
MAJOR (QC CHECKED) ▽= 19 places	SCALE: 1:1	APPROVED: Brian 2016.04.22			
CRITICAL: ▽= places	UNIT: mm	CHECKED: genway 2016.04.22	SERIES:	USB TYPE C	SIZE: A4
SHEET 2 OF 4	DESIGN: Jun 2016.04.22	DRAWING NO.: C-UTC002-00	REV.: A		

ABIDE BY ROHS,MEETS PT ENVIRONMENTAL Q3-7584

REV.	DESCRIPTION	ECN NO.	NEW DESIGNER
A	NEW RELEASE	\	Genway 2016.04.22



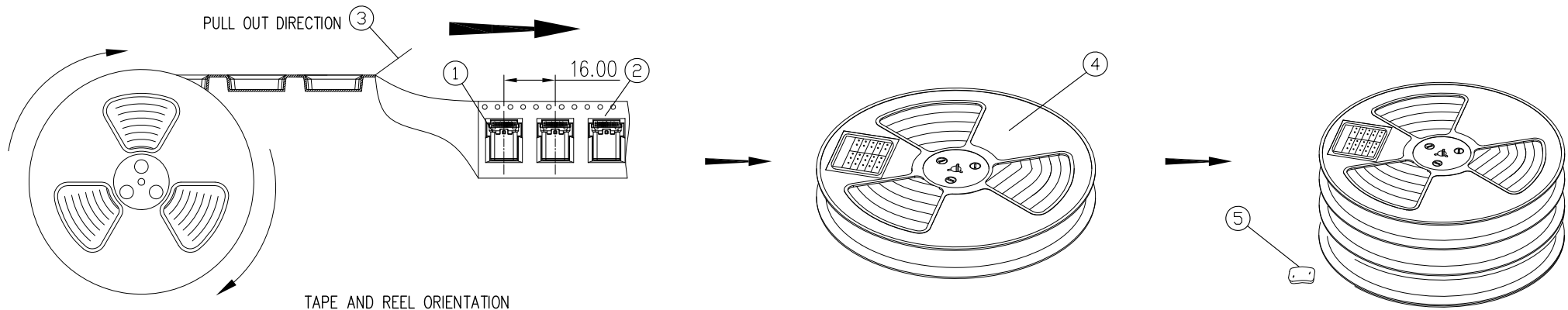
BILL OF MATERIAL:

ITEM	PART NAME	Q'TY	DRAWING NO.	PART NO.	MATERIAL	REMARK
8	SHELL	1	S-ST-001-C-01	S-001-C-1N**0000	STAINLESS STEEL	NI
7	HOUSING	1	I-ST-001-C-00	I-001-C-1P**000*	THERMOPLASTIC	---
6	SPRING	1	T-ST-001-C-02	T-001-C-2P**0010	STAINLESS STEEL	AU+NI
5	CONTACT	1	T-ST-001-C-09	T-001-C-1N**0000	COPPER ALLOY	NI
4	CONTACT	1	T-ST-001-C-10	T-001-C-1N**0010	COPPER ALLOY	NI
3	LATCH	1	T-ST-001-C-04	T-001-C-2N**0000	STAINLESS STEEL	AU+SN+NI
2	MOLDING 2	1	B-ST-001-C-04	B-001-C-N**0*01*	COPPER ALLOY+THERMOPLASTIC	---
1	MOLDING 1	1	B-ST-001-C-03	B-001-C-N**0*00*	COPPER ALLOY+THERMOPLASTIC	---

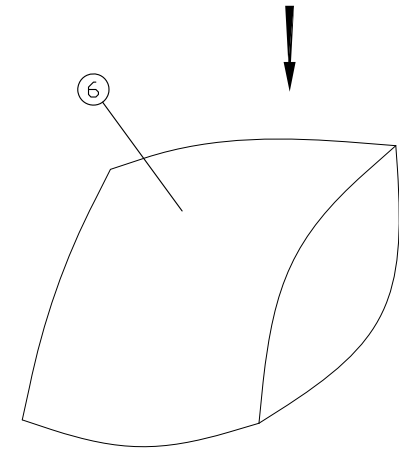
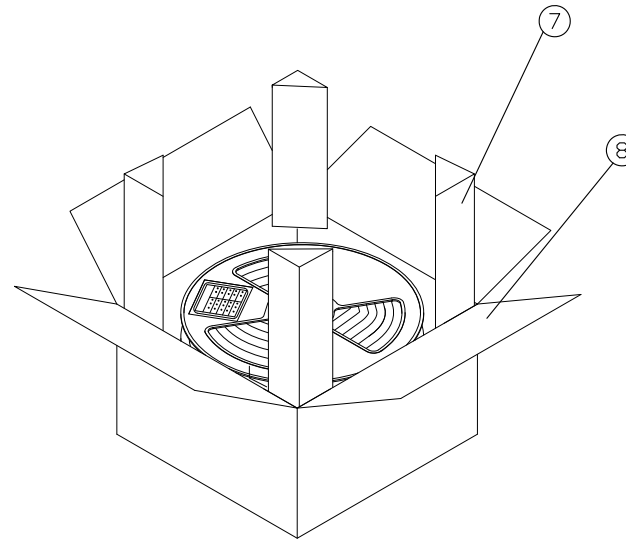
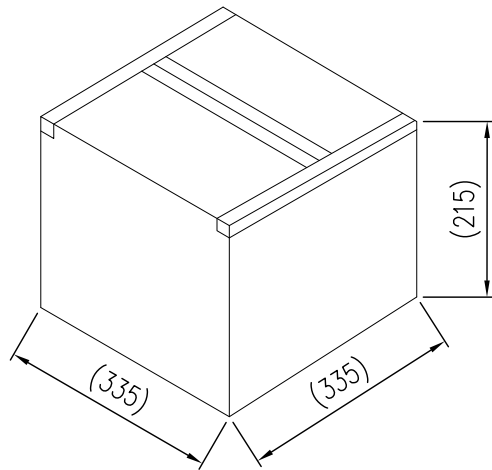
GENERAL TOLERANCE X. ±0.38 .X ±0.25 .XX ±0.20 .XXX ±0.15	ANGLE TOLERANCE X.* ±2.0° .X.* ±1.0° .XX.* ±0.5°	NAME(INTENDED USE): CUSTOMER DRAWING	PALCONN PALCONN TECHNOLOGY CO.,LTD. TITLE: USB TYPE-C FULL-FEATURED PLUG, 22 POSITIONS SMT TYPE
MAJOR(QC CHECKED) ▽= 19 places	SCALE: 1:1	APPROVED: Brian 2016.04.22	
CRITICAL: ▽= places	UNIT: mm	CHECKED: genway 2016.04.22	SERIES: USB TYPE C
SHEET 3 OF 4	DESIGN: Jun 2016.04.22	DRAWING NO.: C-UTC002-00	SIZE: A4 REV.: A

ABIDE BY ROHS,MEETS PT ENVIRONMENTAL Q3-7584

REV.	DESCRIPTION	ECN NO.	NEW DESIGNER
A	NEW RELEASE	\	Genway 2016.04.22



TAPE AND REEL ORIENTATION




BILL OF MATERIAL:

ITEM	PART NAME	Q'TY	MATERIAL
8	TRIANGLE CARDBOARD	4	A=B
7	OUTER CARTON	1	K=K
6	ANTI-WATER POLYBAG	1	PE
5	DESICCANT	5	/
4	REEL	6	PS(BLUE)
3	COVER TAPE	15.00M	PET T=0.07mm
2	CARRIER TAPE	14.90M	PS T=0.30mm
1	PRODUCT	5400PCS	/

LEADER AND TRAILER TAPE

- COVER TAPE PEELING FORCE IN THE DIRECTION SHOWN SHALL BE 0.20N MIN.
- TAPE AND REEL MATERIALS:
 - CARRIER TAPE: POLYPROPYLENE OR POLYSTYRENE- ANTI-ESD
 - COVER TAPE: TREATED FOR ANTI-ESD
 - REEL: POLYPROPYLENE OR POLYSTYRENE
- PACKING QUANTITY AND STYLE:
 - QUANTITY: 900 PCS/REEL
 - 6 REELS /OUTER CARTON
 - 5400 PCS/OUTER CARTON
- PACKING STYLE: TAPE&REEL

GENERAL TOLERANCE	ANGLE TOLERANCE	NAME(INTENDED USE):		 PALCONN TECHNOLOGY CO.,LTD. TITLE: USB TYPE-C FULL-FEATURED PLUG, 22 POSITIONS SMT TYPE		
X. ±0.38	X.* ±3.0°	CUSTOMER DRAWING				
.X ±0.25	.X* ±2.0°	PART NO. CODE:		USB TYPE C SIZE: A4		
.XX ±0.20	.XX* ±1.0°	UTC002-N**-**				
.XXX ±0.15		MAJOR(QC CHECKED)	SCALE: 1:1	APPROVED:	Brian	2016.04.22
▼= 19 places		CRITICAL:	UNIT: mm	CHECKED:	Genway	2016.04.22
▽= places		SHEET 4 OF 4	DESIGN:	Jun	2016.04.22	DRAWING NO.: C-UTC002-00
						REV.: A