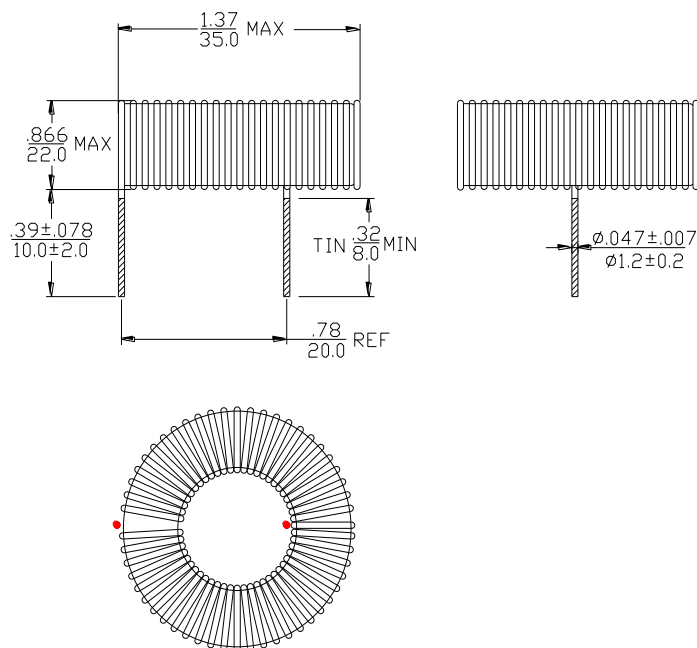


- Inductor
- Recommended solder profile: Wave soldering
- ROHS Compliance Product
- Operating Temperature range: 0°C TO +70°C

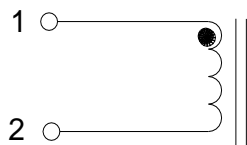
Electrical Specifications @ 25°C

P/N	T/R	OCL @100KHz 0.1V	DCR@25°C	RATED CURRENT
PH27004	(1-2)	(1-2)	(1-2)	/
	REF	300µH ± 10%	5.2Ω MAX	12A MAX

Dimensions (unit: inch/mm)



Schematics



NOTES:

TUSTIN OFFICE:

15991 Red Hill Avenue, Suite #102, Tustin,
California 92780 USA

Tel: +1-714-460-0718 Fax: +1-714-460-0728

<http://www.palnova.com>

Milpitas OFFICE:

500 Yosemite Drive,
Milpitas, California 95035 USA

Tel: +1-408-855-8866 Fax: +1-408-855-8868