



PLANAR TRANSFORMERS

PPQ35 140A SERIES

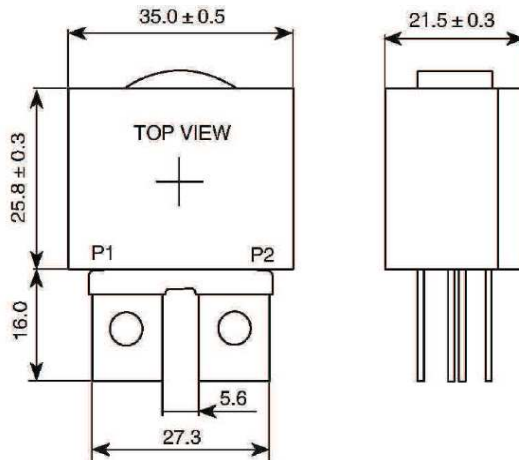
- Use PQ32 planar magnetic core, multilayer PCB technique
- Use for DC/DC module power, max output rated current 140A RMS
- Working frequency: 100K - 200K
- Outline dimension: 35*44*21.5mm (MAX)
- Insulation and withstand voltage between magnetic: 0.5KVDC
- Working temperature range: -40°C - +85°C
- Weight: ≤80g



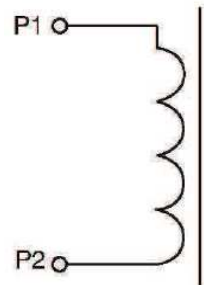
Electrical Specifications			
Part Number	Inductance μH	DC Resistance mΩ (max)	I rated (DC) A RMS
PPQ35L330142	3.3±10%	0.5	140

Remarks: The inductance can be customized according to customer demand.

Dimensions (unit: mm)



Schematic



PRODUCT P/N: PPQ35L330142

Rev 01 1/10/17

SOUTHERN CALIFORNIA OFFICE:

15991 Red Hill Avenue, Suite #102,
Tustin, California 92780 USA

Tel:+1-714-460-0718 Fax:+1-714-460-0728

<http://www.palnova.com>

NORTHERN CALIFORNIA OFFICE:

500 Yosemite Drive
Milpitas, CA. 95035 USA

Tel:+1-408-855-8866 Fax:+1-408-855-8868