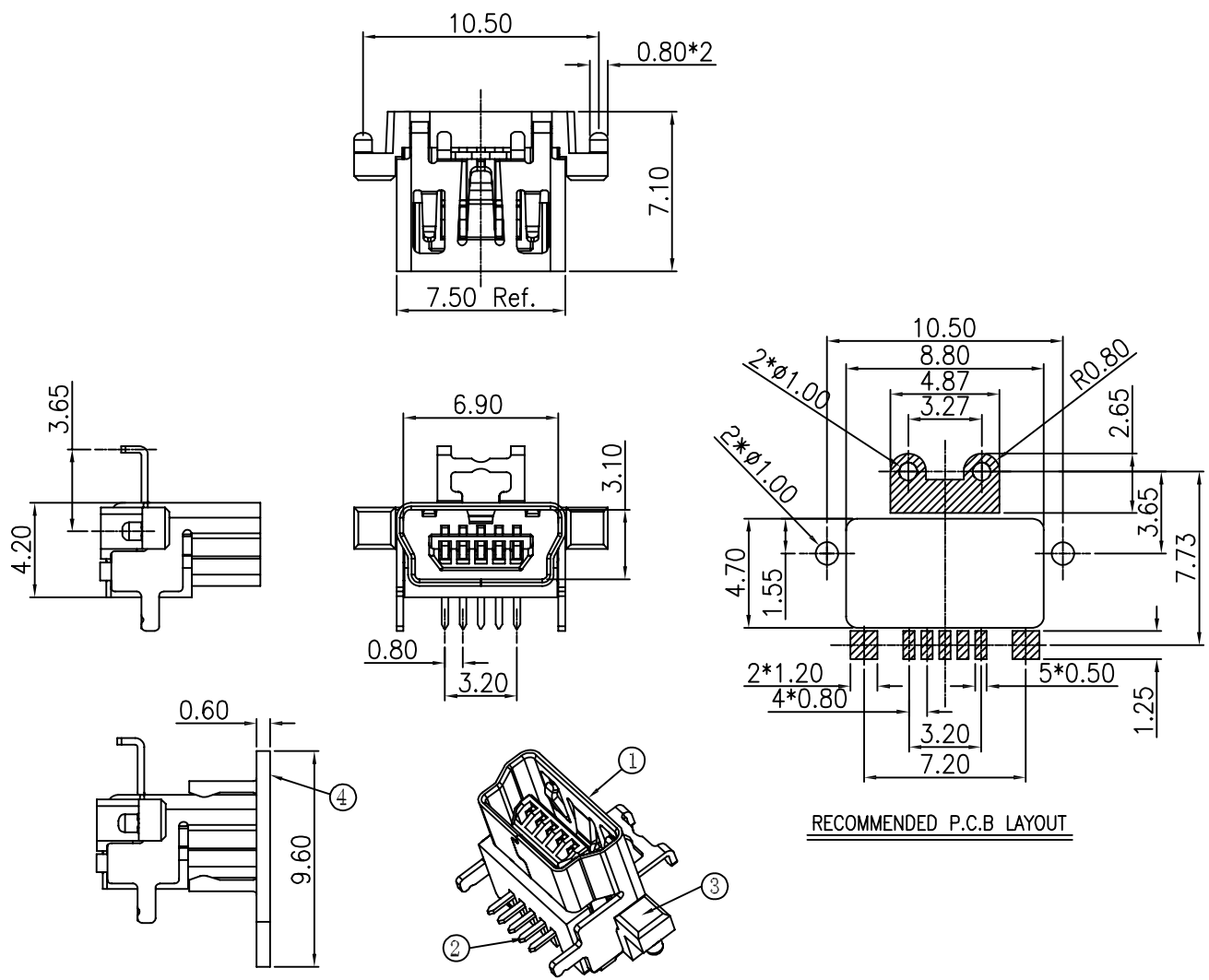


RevNo	Revision note	Date	Signature	Checked
B	REVISED THE TITLE BLOCK	04-24-12		



- NOTES:
- MATERIAL:
COVER: THERMOPLASTIC
HOUSING: THERMOPLASTIC
CONTACT: PHOSPHOR BRONZE, T=0.20mm
OUTER SHELL: BRASS, T=0.30mm
 - CONTACT PLATING:
NICKEL UNDERPLATING OVER ALL
GOLD PLATING AT CONTACT AREA
TIN PLATING AT SOLDERING AREA
 - SHELL PLATING: NICKEL
 - ELECTRICAL PERFORMANCES:
RATED VOLTAGE: 30V AC (R.M.S)
CONTACT RESISTANCE: 50 mΩ MAX.
INSULATION RESISTANCE: 100 MΩ MIN.
DIELECTRIC WITHSTANDING VOLTAGE: 100V AC FOR 1 MINUTE
 - COPLANARITY OF SMT TERMINAL IS 0.10mm MAX.

PART NO. CODE:
MUB013 - 5 K X - X X
① ② ③ ④ ⑤ ⑥

- ① SERIES:
MUB013: MINI USB CONNECTOR,
SERIES B, SMT TYPE
- ② POSITIONS:
5: 5 POSITIONS
- ③ INSULATOR COLOR:
K: BLACK
- ④ CONTACT PLATING:
1: Au 1u"
2: Au 3~5u"
4: Au 15u"
5: Au 30u"
- ⑤ ENVIRONMENT:
O: RoHS
H: HALOGEN FREE
- ⑥ WAY OF PACKING:
T: TRAY
R: TAPE & REEL
B: WATERPROOF BAG


BILL OF MATERIAL :

ITEM	PART NAME	Q'TY/EA	MATERIAL	PLATING
4	COVER	1	THERMOPLASTIC	N/A
3	HOUSING	1	THERMOPLASTIC	N/A
2	CONTACT	5	PHOSPHOR BRONZE	PLATING GOLD
1	OUTER SHELL	1	BRASS	PLATING TIN

GENERAL TOLERANCES (UNLESS SPECIFIED) DIMENSION STYLE : MM < INCH >		
	MM	ANGLE°
4 PLACES	± 0.15	± 0.5°
3 PLACES	± 0.05	± 0.5°
2 PLACES	± 0.13	± 0.5°
1 PLACES	± 0.25	± 1.0°
0 PLACES	± 0.38	± 2.0°

THIRD ANGLE PROJECTION

FINISH	
SEE NOTES	
MATERIAL	
SEE NOTES	
DRAWN BY	DATE
R. Ly	04-24-12
CHECKED BY	DATE
A. TENG	04-24-12
APPROVED BY	DATE
---	---



TITLE		MINI USB 5P, SERIES B, FEMALE, R/A, SMT TYPE	
SIZE	A4	DRAWING NO.	MUB013-5KX-XX
SCALE	NONE	SHEET	1 OF 1
		REV.	B

A
B
C
D
E
F
G
H

A
B
C
D
E
F
G
H

1 2 3 4 5 6 7 8

1 2 3 4 5 6 7 8