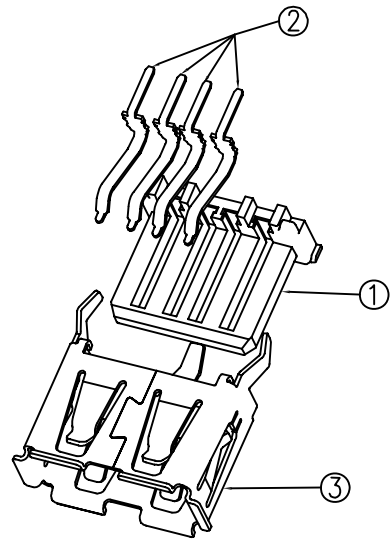
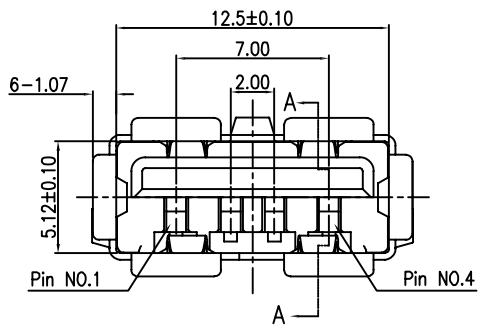
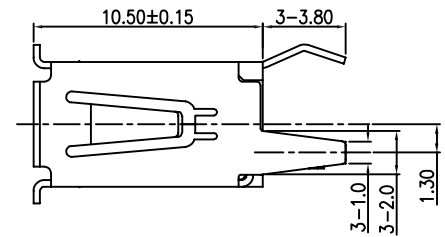
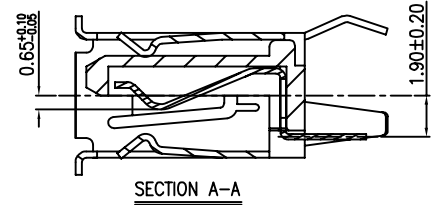
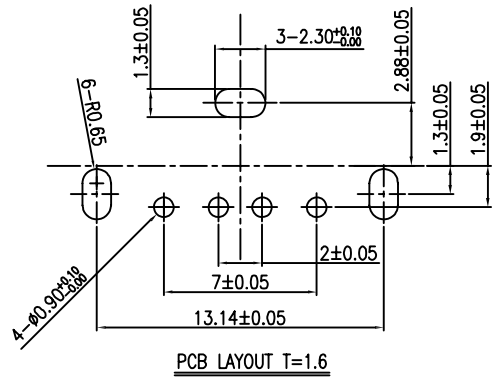
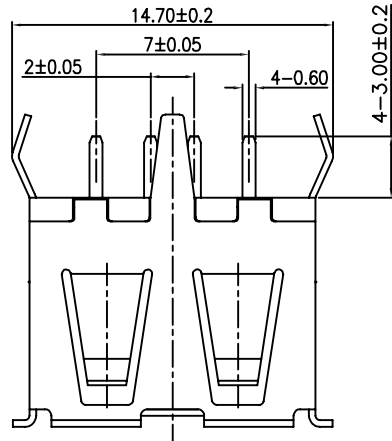


RevNo	Revision note	Date	Signature	Checked
A	NEW RELEASE	02-28-12		
B	UPDATED THE DESCRIPTION OF THE TITLE BLOCK	04-23-12		



- NOTES:
- HOUSING MATERIAL: THERMOPLASTIC
  - CONTACT MATERIAL: PHOSPHOR BRONZE, T=0.25±0.01mm
  - SHELL MATERIAL: BRASS, T=0.30±0.01mm
  - CONTACT PLATING:  
NICKEL UNDERPLATING OVER ALL  
GOLD PLATING AT CONTACT AREA  
TIN PLATING AT SOLDERING AREA
  - SHELL PLATING: NICKEL
  - ELECTRICAL PERFORMANCES:  
CURRENT RATING: 1.5A AT 250 VAC MIN.  
CONTACT RESISTANCE: 30 mΩ MAX.  
INSULATION RESISTANCE: 1000 MΩ MIN.  
DIELECTRIC WITHSTANDING VOLTAGE: 500V AC FOR 1 MINUTE

PART NO. CODE:  
 U2A142 - 4 X X - X X  
 ① ② ③ ④ ⑤ ⑥


- SERIES:  
U2A142: USB 2.0 CONN, SERIES A, SINGLE DECK, VERTICAL, THROUGH HOLE TYPE
- POSITIONS:  
4: 4 POSITIONS
- INSULATOR COLOR:  
K: BLACK  
W: WHITE
- CONTACT PLATING:  
1: Au 1u"  
2: Au 3~5u"  
3: Au 10u"  
4: Au 15u"  
5: Au 30u"
- ENVIRONMENT:  
O: RoHS  
H: HALOGEN FREE
- WAY OF PACKING:  
T: TRAY  
R: TAPE & REEL  
B: WATERPROOF BAG

BILL OF MATERIAL :

ITEM	PART NAME	Q'TY/EA	MATERIAL	PLATING
3	SHELL	1	BRASS	PLATING NICKEL
2	CONTACT	4	PHR BRONZE	PLATING GOLD
1	HOUSING	1	THERMOPLASTIC	N/A

GENERAL TOLERANCES ( UNLESS SPECIFIED ) DIMENSION STYLE : MM < INCH >	
MM	ANGLE°
4 PLACES ± --- ± ---	
3 PLACES ± 0.05 ± ---	
2 PLACES ± 0.13 ± 0.5°	
1 PLACES ± 0.25 ± 1.0°	
0 PLACES ± 0.38 ± 2.0°	

FINISH	
SEE NOTES	
MATERIAL	
SEE NOTES	
DRAWN BY	DATE
R. Ly	04-23-12
CHECKED BY	DATE
A. TENG	04-23-12
APPROVED BY	DATE
---	---



TITLE USB 2.0, 4P, SERIES A, FEMALE, VERTICAL, 3 POSTS, THROUGH HOLE TYPE

SIZE	A4	DRAWING NO.	U2A142-4XX-XX
SCALE	NONE	SHEET	1 OF 1
REV.	B		

