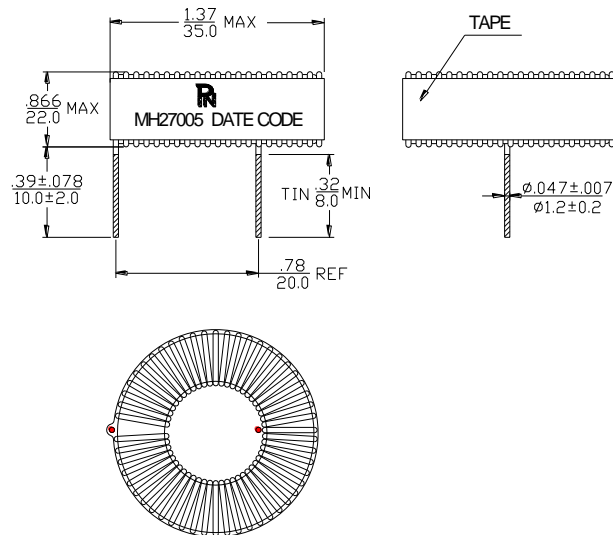


- Inductor
- Recommended solder profile: Wave soldering
- ROHS Compliance Product
- Operating Temperature range: 0°C TO +70°C

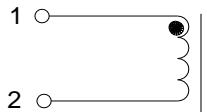
### Electrical Specifications @ 25°C

P/N	T/R	OCL @100KHz 0.1V	DCR@25°C	RATED CURRENT
PH27005	(1-2)	(1-2)	(1-2)	/
	39TS REF	300μH ± 10%	50mΩ MAX	7A MAX

### Dimensions (unit: inch/mm)



### Schematics



PRODUCT P/N: PH27005

REV: 02-05/26/15

#### TUSTIN OFFICE:

15991 Red Hill Avenue, Suite #102, Tustin,  
California 92780 USA

Tel:+1-714-460-0718 Fax:+1-714-460-0728

<http://www.palnova.com>

#### Milpitas OFFICE:

500 Yosemite Drive,  
Milpitas, CA. 95035 USA

Tel:+1-408-855-8866 Fax:+1-408-855-8868