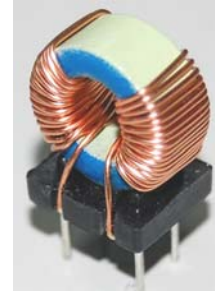


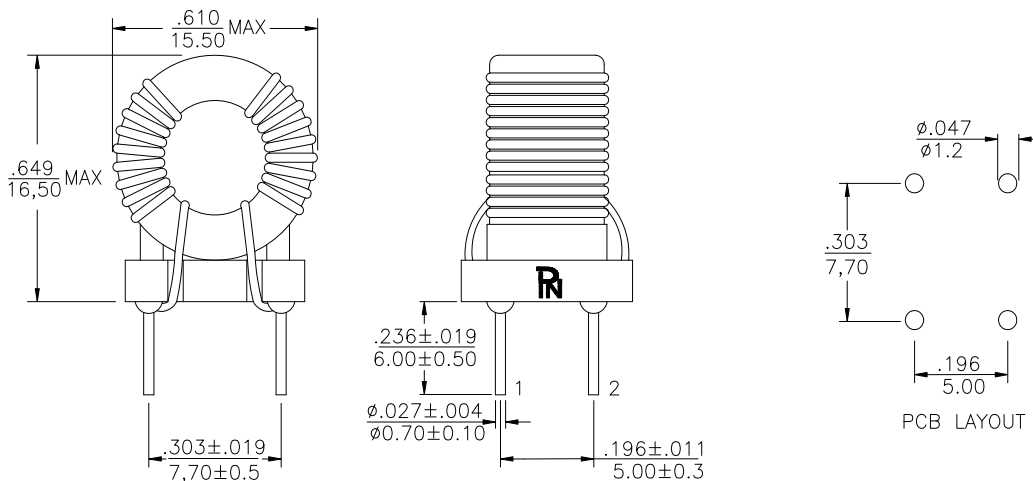
- Common mode chokes for telecom applications
- Excellent EMI performance
- Current capability up to 2.3A
- Recommended solder profile: Wave soldering
- ROHS Compliance Product
- Operating Temperature range: 0°C TO +70°C



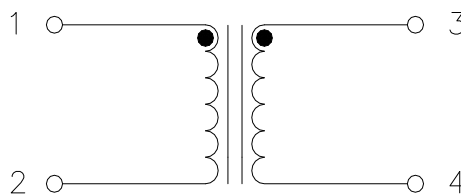
Electrical Specifications @ 25°C

P/N	T/R	OCL@1KHz 0.25V ($\mu\text{H} \pm 10\%$)	HI-POT Vrms
PP0902CNL	(1-2) : (3-4)	(1-2)=(3-4)	(1-2) TO (3-4)
	1:1	20	1500

Dimensions (unit: inch/mm)



Schematics



TUSTIN OFFICE:

15991 Red Hill Avenue, Suite #102, Tustin,
California 92780 USA

Tel:+1-714-460-0718 Fax:+1-714-460-0728

SANTA CLARA OFFICE:

3000 Kenneth Street, Santa Clara,
California 95054 USA

Tel:+1-408-855-8866 Fax:+1-408-855-8868

<http://www.palnova.com>