

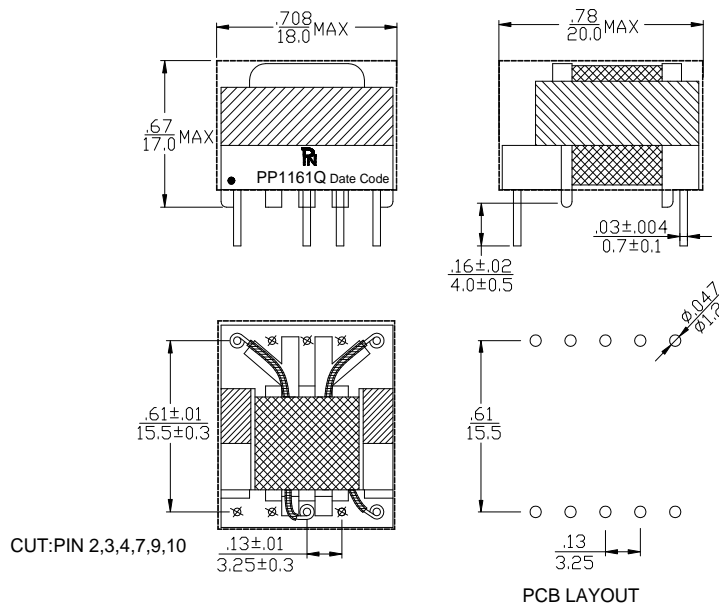
- Designed to meet UL 60950-1
- Core Material Ferrite
- Isolation 3000 Vrms
- Recommended solder profile: Wave soldering
- ROHS Compliance Product
- Operating Temperature range: 0°C TO +70°C



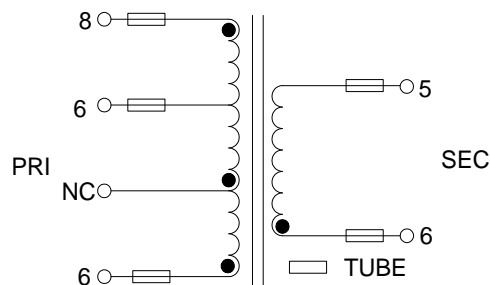
Electrical Specifications @ 25°C

P/N	T/R (±2%)	OCL@10KHz 0.1V (mH±10%)	LL@100KHz 0.1V (μH MAX)	D.C.R (Ω MAX)		Hi-pot (Vrms)
	(8-6):(5-1)	(8-6)	(8-6),(tie1+5)	(8-6)	(1-5)	PRI TO SEC
PP1161Q	61.5:7	1.4	85	3.5	0.12	3000

Dimensions (unit: inch/mm)



Schematics



TUSTIN OFFICE:

15991 Red Hill Avenue, Suite #102, Tustin, California 92780 USA

Tel:+1-714-460-0718 Fax:+1-714-460-0728

<http://www.palnova.com>

SANTA CLARA OFFICE:

3000 Kenneth Street, Santa Clara, California 95054 USA

Tel:+1-408-855-8866 Fax:+1-408-855-8868