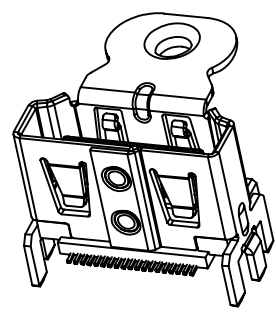
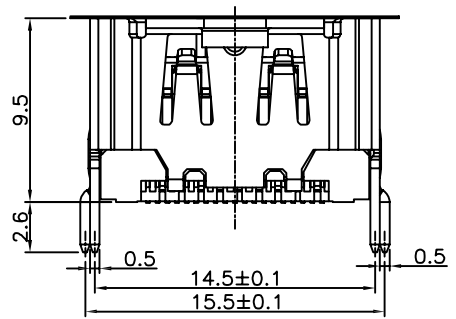
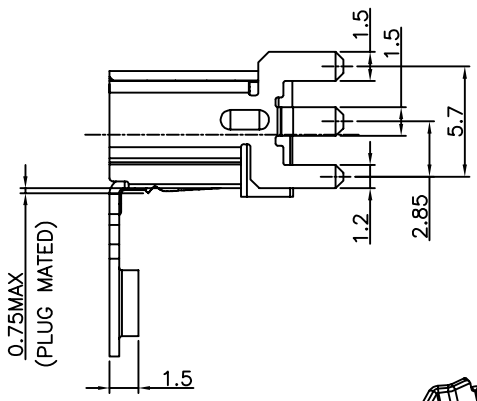
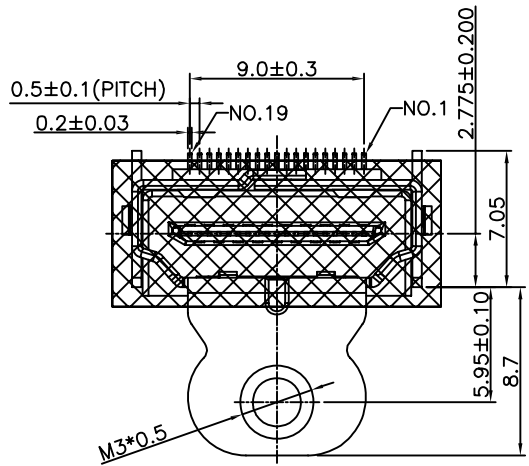
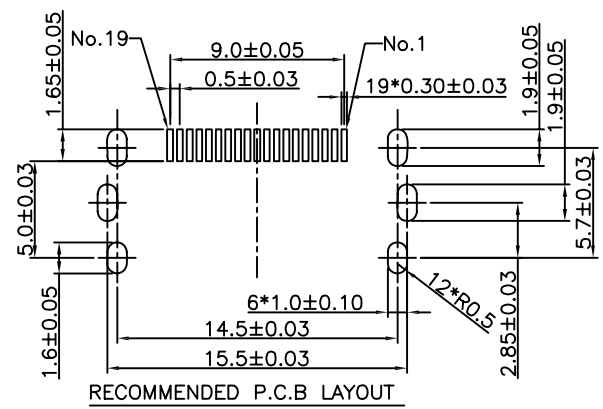
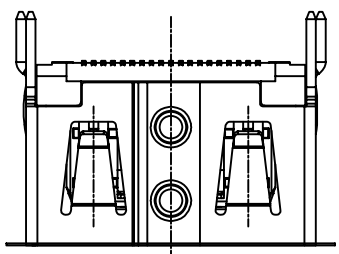


RevNo	Revision note	Date	Signature	Checked
A	NEW RELEASE	03-01-12		



NOTES:

- MATERIAL:
HOUSING: THERMOPLASTIC
TERMINAL: COPPER ALLOY, T=0.20mm
SHELL: SK7, T=0.50mm
- CONTACT PLATING:
NICKEL UNDERPLATING OVER ALL
GOLD PLATING AT CONTACT AREA
GOLD FLASH AT SOLDERING AREA
- SHELL PLATING: Ni PLATING OVER ALL
- PACKAGING SPECIFICATION: TAPE & REEL
- ELECTRICAL:
INSULATION RESISTANCE: 100 MΩ MIN.
CONTACT RESISTANCE: 30 mΩ MAX.
DIELECTRIC WITHSTANDING VOLTAGE: 500V AC FOR 1 MINUTE
CURRENT RATING: 0.5A
VOLTAGE RATING: 40V AC

PART NO. CODE:


HDM018 - K K X - X X
① ② ③ ④ ⑤ ⑥

- SERIES:
HDM018: HDMI VERTICAL SMT TYPE WITH FLANGE
- POSITIONS:
K: 19 POSITIONS
- INSULATOR COLOR:
K: BLACK
W: WHITE
- CONTACT PLATING:
1: Au 1u"
2: Au 3~5u"
4: Au 15u"
5: Au 30u"
- ENVIRONMENT:
O: RoHS
H: HALOGEN FREE
- WAY OF PACKING:
T: TRAY
R: TAPE & REEL
B: WATERPROOF BAG

3	SHELL	1 PC	SK7	Ni
2	19PIN TERMINAL	1 SET	COPPER ALLOY	AU OVER Ni
1	HOUSING	1 PC	THERMOPLASTIC	N/A
ITEM	PART NAME	Q'TY	MATERIAL	PLATING

GENERAL TOLERANCES (UNLESS SPECIFIED) DIMENSION STYLE : MM < INCH >		
	MM	ANGLE°
4 PLACES	± 0.10	± 0.5°
3 PLACES	± 0.05	± 0.5°
2 PLACES	± 0.13	± 1.0°
1 PLACES	± 0.25	± 2.0°
0 PLACES	± 0.38	± 2.0°
THIRD ANGLE PROJECTION		

FINISH	SEE NOTES
MATERIAL	SEE NOTES
DRAWN BY	DATE
R. Ly	03-01-12
CHECKED BY	DATE
A. TENG	03-01-12
APPROVED BY	DATE
---	---



TITLE HDMI CONNECTOR, 19P FEMALE VERTICAL, SMT TYPE WITH FLANGE			
SIZE A4	DRAWING NO. HDM018-KKX-XX		
SCALE NONE	SHEET 1	OF 1	REV. A