

PECO13 Series

Specifications

- Standard Input Current 0.1-100 A
- Frequency 50Hz — 400Hz
- Standard accuracy 0.2, 0.5, 1
- Operating Temp. -40°C to +70°C
- ANSI C57.13 and IEC60044-1 Standards
- Custom design Turns-Ratio available
- Approximate weight 46g

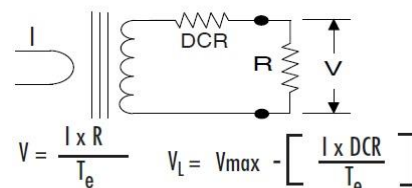
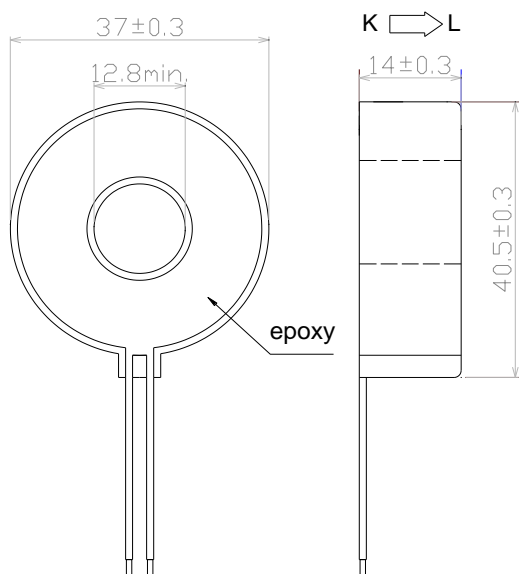
Applications

- Electrical load monitoring
- Energy and sub-metering products
- Network equipment
- Instruments and sensors
- Control systems
- Go GREEN initiatives

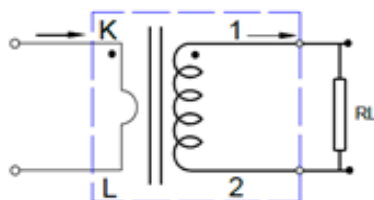
Electrical Specifications @ 25°C

P/N	Input Current (A)	Available Outputs (mA)	Insulation Voltage (VAC/1 min.)
PECO13-50	50	10, 20, 30, 40, 50, 100	4000
PECO13-60	60		4000
PECO13-80	80		4000
PECO13-100	100		4000

Mechanical Dimensions: (mm)



Schematic



Note:

1. Primary current direction from K to L
2. Secondary current directions from S(1) to F(2)
3. RL: Output load resistance

PRODUCT P/N: PECO13-XX

REV: 00-09/20/17

TUSTIN OFFICE:

15991 Red Hill Avenue, Suite #102, Tustin,
California 92780 USA

Tel:+1-714-460-0718 Fax:+1-714-460-0728

<http://www.palnova.com>

Milpitas OFFICE:

500 Yosemite Drive,
Milpitas, CA. 95035 USA

Tel:+1-408-855-8866 Fax:+1-408-855-8868