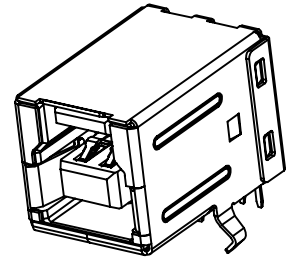
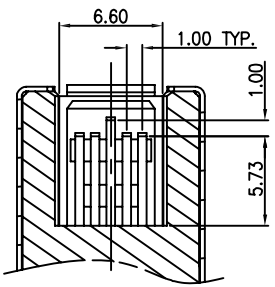
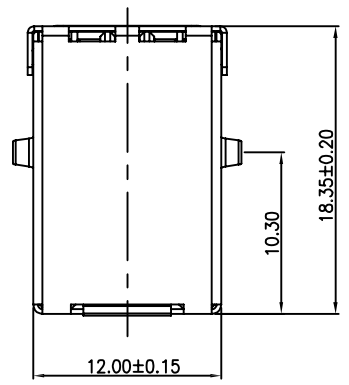


RevNo	Revision note	Date	Signature	Checked
B	REVISED THE TITLE BLOCK	04-24-12		



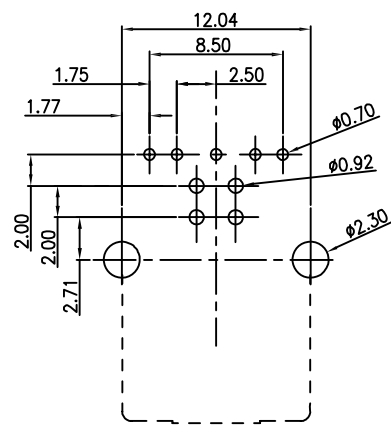
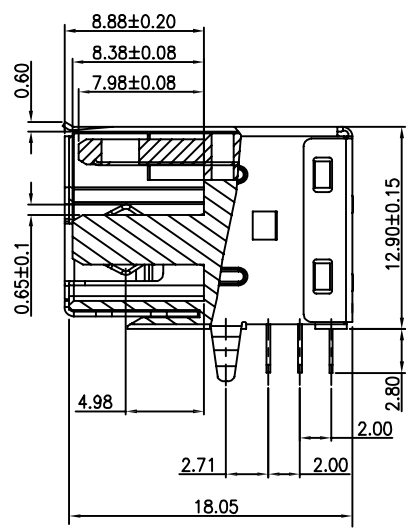
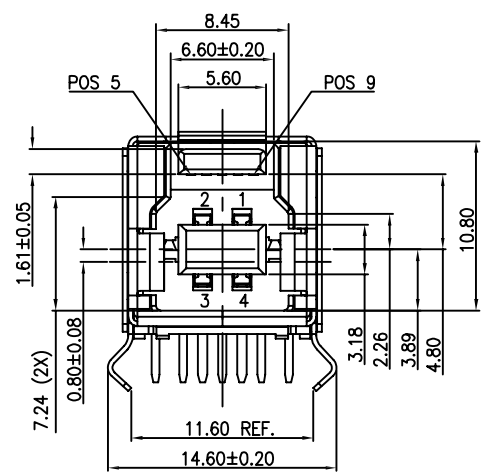
NOTES:

- 1.MATERIALS :  
 OUTER SHELL : BRASS, T=0.30mm  
 HOUSING : PBT, UL 94V-0  
 BACK COVER : PBT, UL 94V-0  
 4P CONTACT : PH. BRONZE, T=0.25mm  
 5P CONTACT : BRASS, T=0.20mm
- 2.ELECTRICAL :  
 INSULATION RESISTANCE : 100 Mohm MIN.  
 CONTACT RESISTANCE : 30 mohm MAX.  
 DIELECTRIC WITHSTANDING VOLTAGE : 100 VAC FOR 1 MINUTE
- CURRENT RATING : 1.5A AT 250 VAC MIN.
- 3.MECHANICAL :  
 MATING FORCE : 35N MAXIMUM  
 UNMATING FORCE : 10N MINIMUM  
 DURABILITY : 1500 CYCLES

PART NO. CODE:

U3B001 - 9 B X - X X  
 ① ② ③ ④ ⑤ ⑥

- ① SERIES:  
 U3B001: USB 3.0 CONNECTOR, SERIES B, RIGHT ANGLE DIP TYPE
- ② POSITIONS:  
 9: 9 POSITIONS
- ③ INSULATOR COLOR:  
 K: BLACK  
 W: WHITE  
 B: BLUE
- ④ CONTACT PLATING:  
 1: Au 1u"  
 2: Au 3~5u"  
 4: Au 15u"  
 5: Au 30u"
- ⑤ ENVIRONMENT:  
 O: RoHS  
 H: HALOGEN FREE
- ⑥ WAY OF PACKING:  
 T: TRAY  
 R: TAPE & REEL  
 B: WATERPROOF BAG



PCB LAYOUT (T=1.60mm)

BILL OF MATERIAL :

6	OUTER SHELL	1	BRASS	NICKEL
5	BACK COVER	1	PBT	N/A
4	HOUSING	1	PBT	N/A
3	HOUSING + CON	1	PBT + BRASS	N/A
2	LONG CONTACT	2	PHOSPHOR BRONZE	GOLD & TIN
1	SHORT CONTACT	2	PHOSPHOR BRONZE	GOLD & TIN
ITEM	PART NAME	Q'TY/EA	MATERIAL	PLATING

GENERAL TOLERANCES ( UNLESS SPECIFIED ) DIMENSION STYLE : MM < INCH >		FINISH SEE NOTES	
		MATERIAL SEE NOTES	
4 PLACES	± --- ± ---	DRAWN BY	DATE
3 PLACES	± 0.05 ± ---	R. Ly	04-24-12
2 PLACES	± 0.13 ± 0.5°	CHECKED BY	DATE
1 PLACES	± 0.25 ± 1.0°	A. TENG	04-24-12
0 PLACES	± 0.38 ± 2.0°	APPROVED BY	DATE
		---	---

**PALCONN**

TITLE: USB 3.0, 9P, SERIES B, FEMALE, RIGHT ANGLE, THRU-HOLE TYPE

SIZE: A4 DRAWING NO. U3B001-9BX-XX

SCALE: NONE SHEET 1 OF 1 REV. B



THIRD ANGLE PROJECTION