



Table of Contents

Product Part Number Terminology.....	P2
1 x 1 Tab Down Series.....	P3
1 x 1 Tab Up/Extended Series.....	P10
1 x 1 Vertical/SMT Series.....	P17
1 x 2 Series.....	P21
1 x 4 Series.....	P31
RJ45 + USB Series.....	P37
2 x N Series.....	P42
Schematic 10/100 Base.....	P51
Schematic 1000 Base.....	P64

Integrated RJ45 Part Number Terminology

● **Order Information**

P X X X XXX - X/X
A B C D E F

EX: PLU1T402-G/YR
(Tab down/100Mb/4 magnetic/3 spring/left-Green, right-yellow/side-positive, middle-negative)

● **A: Mechanical Code**

CODE	MECHANICAL
L	Tab down, 1x
R	Tab up, 1x
G	Extended, 25.4mm, tab up, 1x
P	Extended, 25.4mm, tab down, 1x
H	Vertical
M	Tab up, 1x, SMT
D	2x
U	RJ45+ single USB, starting with U
2U	RJ45+ two USB, starting with 2U

● **C: Number of Port Code**

Code	Port (1x)	Port (2x)
1	1*1	2*1
2	1*2	2*2
4	1*4	2*4
5	1*5	2*5
6	1*6	2*6
8	1*8	2*8

● **E: Schematic Code**

Code	Number of Cores	Type of Circuits
0XX	0 magnetic	XX=00~99(serial number of schematic) reverse position of magnetic, adding letter A after the code
4XX	4 magnetics	
5XX	5 magnetics	
6XX	6 magnetics	
8XX	8 magnetics	
12XX	12 magnetics	
XXXP	RJ45+PoE, adding letter P at the end of schematic code	

● **F: LED Code**

LED Color		LED Polarity	Note	Bi-color
Left	Right			
Y	G	left positive, right negative	1. LED: Y=Yellow, G=Green 2. L = left side is negative, M = middle is negative, R = right side is negative 3. Add letter P at end of code for parallel LED pin	D1=(Green/Yellow)
G	Y			D2=(Yellow/Green)
G	G	side positive, middle positive		D3=(Orange/Green)
Y	G			D4=(Green/Orange)
G	Y	left negative, right positive		D5=(Yellow/Orange)
G	G			D6=(Green/Red)
Y	G			
G	Y			
G	G			

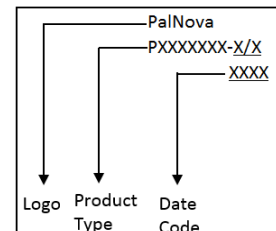
● **B: Transmission rate Code**

Code	Transmission rate
T	T = 10 BASE (802.3U)
U	U = 100 BASE (802.3U)
A	A = 1000 BASE (802.3ab)
G	G = 10 Gigabit (802.3at/802.3af)

● **D: Shield And Grounding Distribution Code**

Code	Number of Spring
S	Shield
T	with spring tab on top and side
D	spring tab on side
E	spring tab on top
U	un-shield

Code	Types of Pin Distance
F	1*1 + front pin +shield
M	1*1 + front pin + spring x3
C	1*1 + front pin + spring x2
A	1*1 + front pin + spring (upper)
L	1*N + front pin + pin
P	1*N + back pin + pin
B	1*N(n>1) + back pin + shield
R	1*N(n>1) + back pin + spring x3
G	1*N(n>1) + back pin + spring x2
Q	1*N(n>1) + back pin + spring (upper)
Y	1*N(n>1) + cut off behind pin



Southern California Office:

15991 Red Hill Avenue, Suite #102,
Tustin, CA 92780 USA
Tel:+1-714-460-0718 Fax:+1-714-460-0728

Northern California Office:

500 Yosemite Drive,
Milpitas, CA 95035 USA
Tel:+1-408-855-8866 Fax:+1-408-855-8868

• 1 X 1 Tab Down Series



Complies with requirement of IEEE 802.3u/802.3ab standards

RJ45 connector with 10/100/1000 BASE-TX magnetic

Design for 10/100 /1000BASE transmission over UTP-5 cable

Complies with ROHS requirements.

With/Out EMI Fingers

• Electrical Specifications@25°C --- Operating Temperature 0°C to +70°C

	Turns Ratio		Insertion Loss (dB Max)		Return Loss (dB Min)			Cross talk (dB Min)			CMR (dB Min)			HI-POT (Vrms)
	TX	RX	0.3-100		1-30	30-60	60-80	0.3-30	30-60	60-100	1-30	30-60	60-100	
			MHz		MHz	MHz	MHz	MHz	MHz	MHz	MHz	MHz		
			100 base	1000 base	MHz	MHz	MHz	MHz	MHz	MHz	MHz			
PLU1Sxxx	1CT:1	1CT:1	-1.1	-1.0	-16	-13	-10	-40	-35	-30	-30	-25	-20	1500
PLU1Sxxx-x/x	1CT:1	1CT:1	-1.1	-1.0	-16	-13	-10	-40	-35	-30	-30	-25	-20	1500
PLU1Sxxx-x/xR	1CT:1	1CT:1	-1.1	-1.0	-16	-13	-10	-40	-35	-30	-30	-25	-20	1500
PLU1Sxxx-x/xP	1CT:1	1CT:1	-1.1	-1.0	-16	-13	-10	-40	-35	-30	-30	-25	-20	1500
PLU1Sxxx-x/xRP	1CT:1	1CT:1	-1.1	-1.0	-16	-13	-10	-40	-35	-30	-30	-25	-20	1500
PLU1Exxx	1CT:1	1CT:1	-1.1	-1.0	-16	-13	-10	-40	-35	-30	-30	-25	-20	1500
PLU1Txxx	1CT:1	1CT:1	-1.1	-1.0	-16	-13	-10	-40	-35	-30	-30	-25	-20	1500
PLU1Txxx-x/x	1CT:1	1CT:1	-1.1	-1.0	-16	-13	-10	-40	-35	-30	-30	-25	-20	1500
PLU1Txxx-x/xR	1CT:1	1CT:1	-1.1	-1.0	-16	-13	-10	-40	-35	-30	-30	-25	-20	1500
PLU1Txxx-x/xP	1CT:1	1CT:1	-1.1	-1.0	-16	-13	-10	-40	-35	-30	-30	-25	-20	1500
PLU1Uxxx	1CT:1	1CT:1	-1.1	-1.0	-16	-13	-10	-40	-35	-30	-30	-25	-20	1500
PLA1Sxxx	1CT:1	1CT:1	-1.1	-1.0	-16	-13	-10	-40	-35	-30	-30	-25	-20	1500
PLA1Sxxx-x/x	1CT:1	1CT:1	-1.1	-1.0	-16	-13	-10	-40	-35	-30	-30	-25	-20	1500
PLA1Sxxx-x/xR	1CT:1	1CT:1	-1.1	-1.0	-16	-13	-10	-40	-35	-30	-30	-25	-20	1500
PLA1Sxxx-x/xP	1CT:1	1CT:1	-1.1	-1.0	-16	-13	-10	-40	-35	-30	-30	-25	-20	1500
PLA1Sxxx-x/xRP	1CT:1	1CT:1	-1.1	-1.0	-16	-13	-10	-40	-35	-30	-30	-25	-20	1500
PLA1Txxx	1CT:1	1CT:1	-1.1	-1.0	-16	-13	-10	-40	-35	-30	-30	-25	-20	1500
PLA1Txxx-x/x	1CT:1	1CT:1	-1.1	-1.0	-16	-13	-10	-40	-35	-30	-30	-25	-20	1500
PLA1Txxx-x/xR	1CT:1	1CT:1	-1.1	-1.0	-16	-13	-10	-40	-35	-30	-30	-25	-20	1500
PLA1Txxx-x/xP	1CT:1	1CT:1	-1.1	-1.0	-16	-13	-10	-40	-35	-30	-30	-25	-20	1500

Southern California Office:

15991 Red Hill Avenue, Suite #102,
Tustin, CA 92780 USA

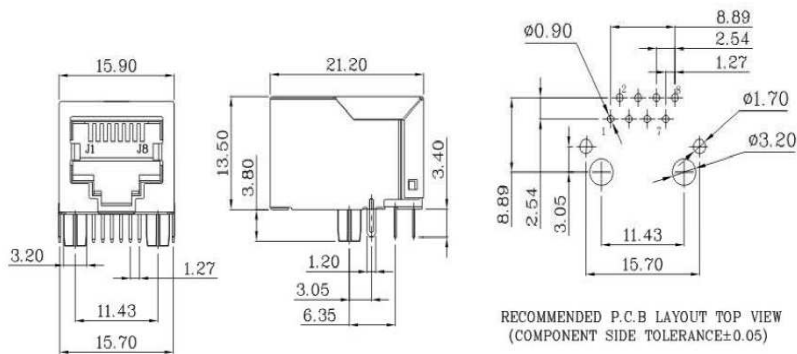
Tel:+1-714-460-0718 Fax:+1-714-460-0728

<http://www.palnova.com>

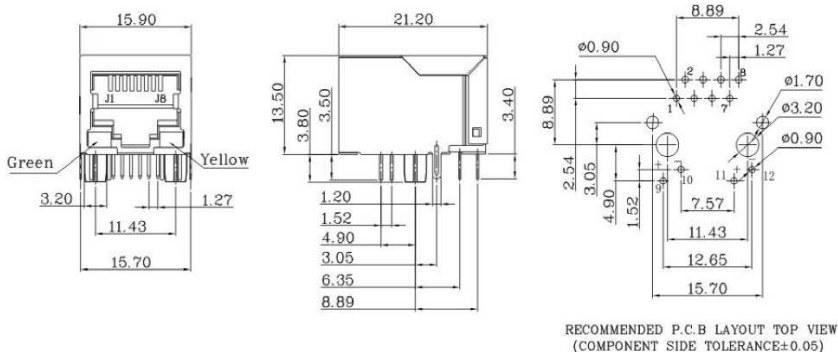
Northern California Office:

500 Yosemite Drive,
Milpitas, CA 95035 USA

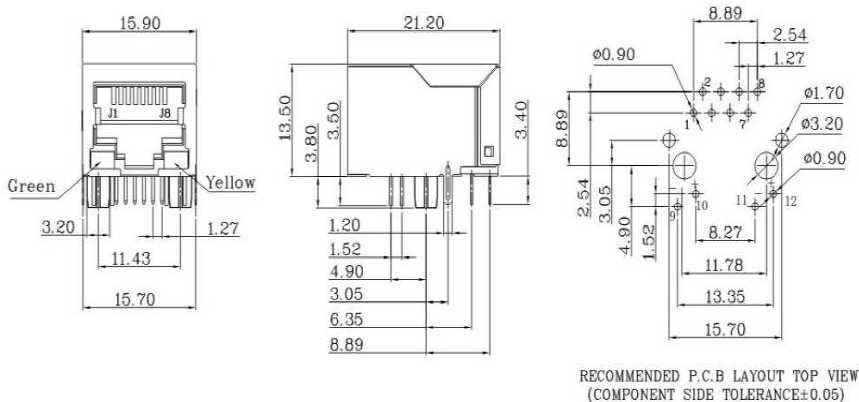
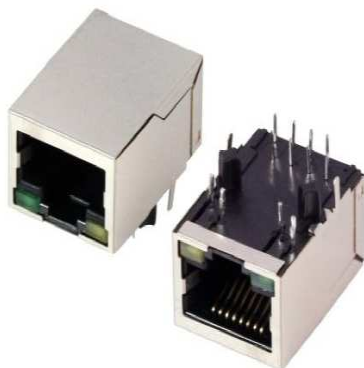
Tel:+1-408-855-8866 Fax:+1-408-855-8868



PLU1Sxxx



PLU1Sxxx-x/x



PLU1Sxxx-x/x(13.35)

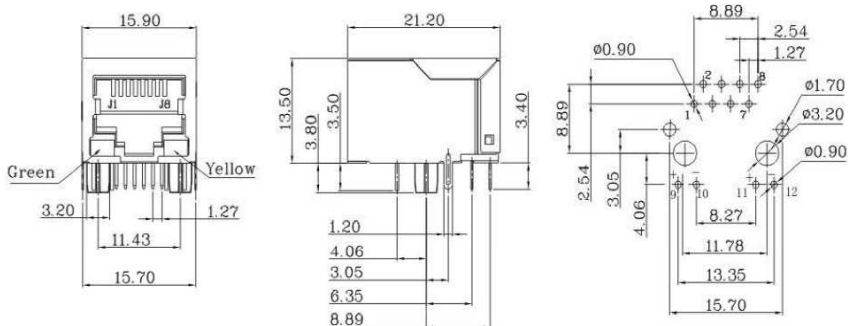
Southern California Office:

15991 Red Hill Avenue, Suite #102,
Tustin, CA 92780 USA
Tel:+1-714-460-0718 Fax:+1-714-460-0728

<http://www.palnova.com>

Northern California Office:

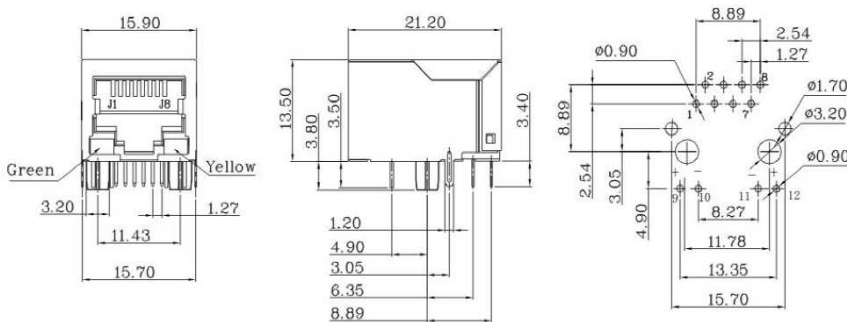
500 Yosemite Drive,
Milpitas, CA 95035 USA
Tel:+1-408-855-8866 Fax:+1-408-855-8868



RECOMMENDED P.C.B LAYOUT TOP VIEW
(COMPONENT SIDE TOLERANCE±0.05)



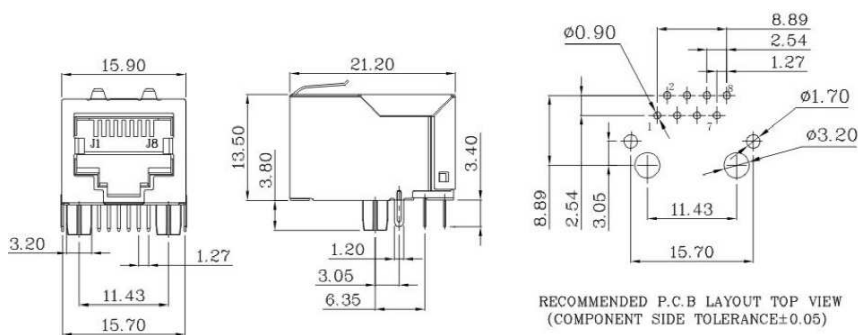
PLU1Sxxx-x/XP



RECOMMENDED P.C.B LAYOUT TOP VIEW
(COMPONENT SIDE TOLERANCE±0.05)



PLU1Sxxx-x/xRP(4.9)



RECOMMENDED P.C.B LAYOUT TOP VIEW
(COMPONENT SIDE TOLERANCE±0.05)



PLU1Exxx

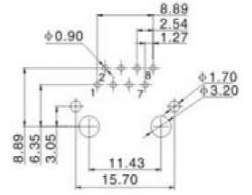
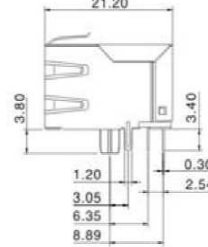
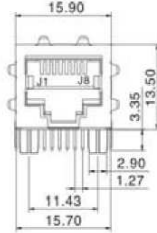
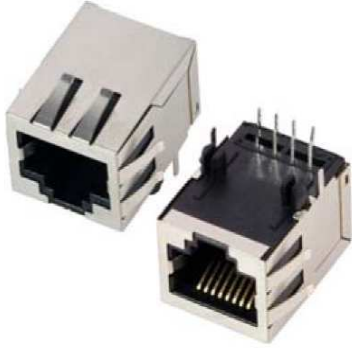
Southern California Office:

15991 Red Hill Avenue, Suite #102,
Tustin, CA 92780 USA
Tel:+1-714-460-0718 Fax:+1-714-460-0728

<http://www.palnova.com>

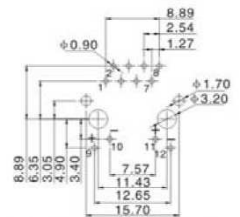
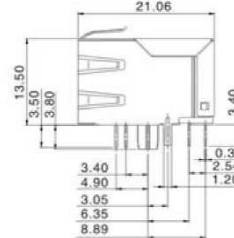
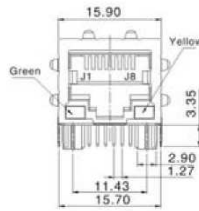
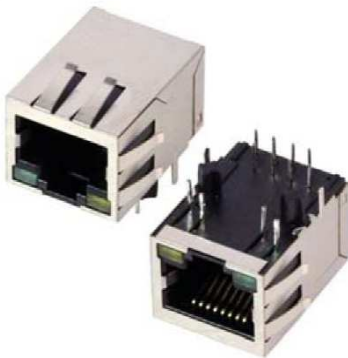
Northern California Office:

500 Yosemite Drive,
Milpitas, CA 95035 USA
Tel:+1-408-855-8866 Fax:+1-408-855-8868



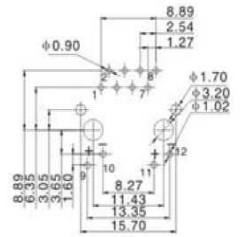
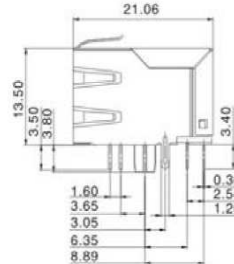
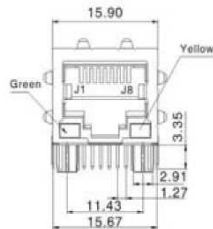
Dimensions Tolerances: ±0.05

PLU1Txxx



Dimensions Tolerances: ±0.05

PLU1Txxx-x/x



Dimensions Tolerances: ±0.05

PLU1Txxx-x/x (13.35)

Southern California Office:

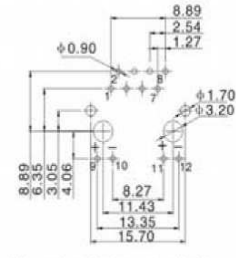
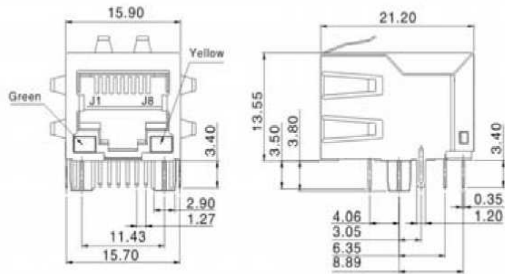
15991 Red Hill Avenue, Suite #102,
Tustin, CA 92780 USA
Tel:+1-714-460-0718 Fax:+1-714-460-0728

<http://www.palnova.com>

Northern California Office:

500 Yosemite Drive,
Milpitas, CA 95035 USA
Tel:+1-408-855-8866 Fax:+1-408-855-8868

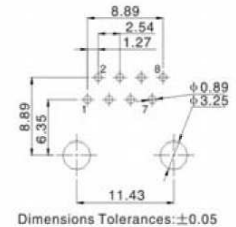
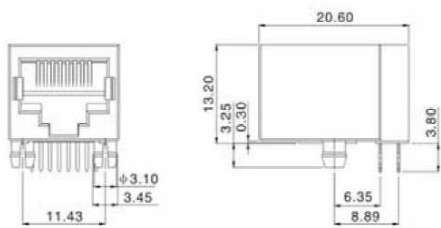
PALNOVA



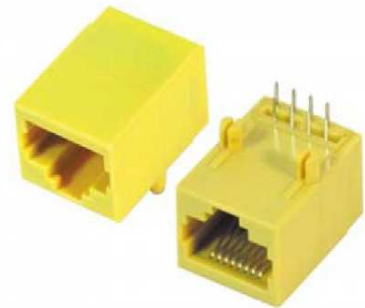
Dimensions Tolerances: ± 0.05



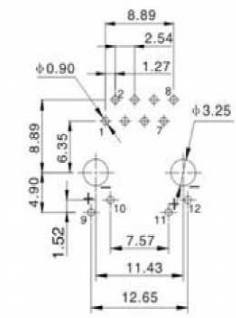
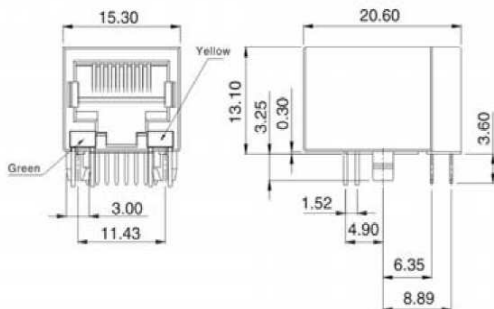
PLU1Txxx-x/xP



Dimensions Tolerances: ± 0.05



PLU1Uxxx



RECOMMENDED P.C.B LAYOUT TOP VIEW (COMPONENT SIDE TOLERANCE ± 0.05)



PLU1Uxxx-x/x

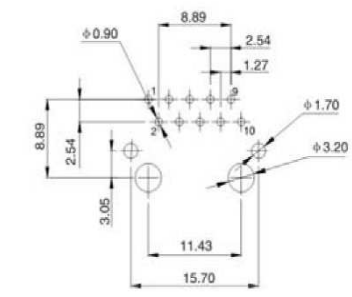
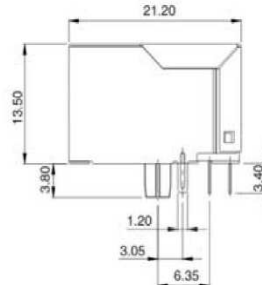
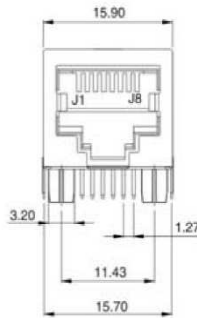
Southern California Office:

15991 Red Hill Avenue, Suite #102,
Tustin, CA 92780 USA
Tel:+1-714-460-0718 Fax:+1-714-460-0728

<http://www.palnova.com>

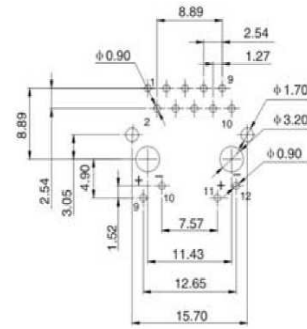
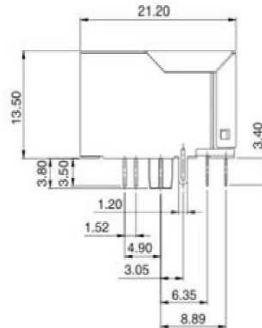
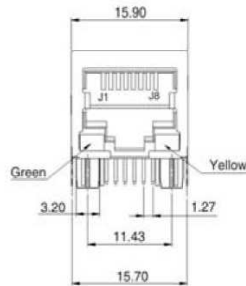
Northern California Office:

500 Yosemite Drive,
Milpitas, CA 95035 USA
Tel:+1-408-855-8866 Fax:+1-408-855-8868



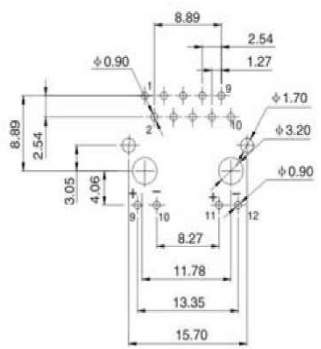
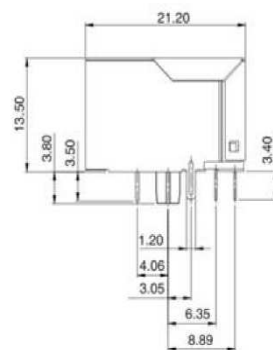
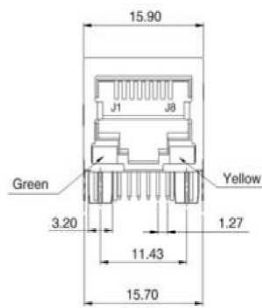
RECOMMENDED P.C.B LAYOUT TOP VIEW
(COMPONENT SIDE TOLERANCE ±0.05)

PLA1Sxxx



RECOMMENDED P.C.B LAYOUT TOP VIEW
(COMPONENT SIDE TOLERANCE ±0.05)

PLA1Sxxx-x/x



RECOMMENDED P.C.B LAYOUT TOP VIEW
(COMPONENT SIDE TOLERANCE ±0.05)

PLA1Sxxx-x/xP

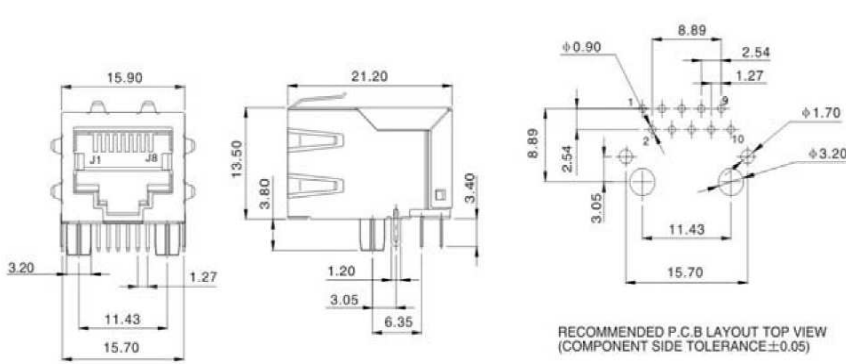
Southern California Office:

15991 Red Hill Avenue, Suite #102,
Tustin, CA 92780 USA
Tel:+1-714-460-0718 Fax:+1-714-460-0728

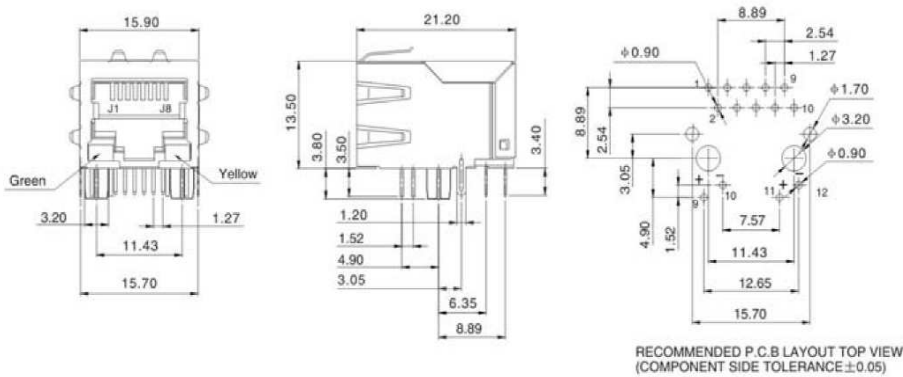
<http://www.palnova.com>

Northern California Office:

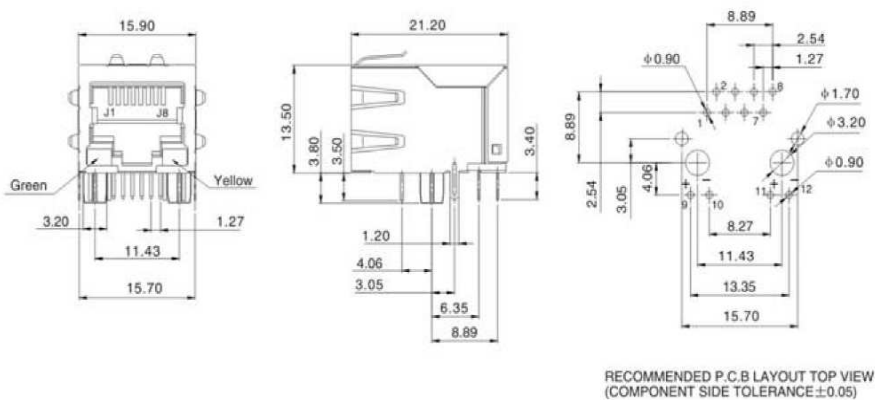
500 Yosemite Drive,
Milpitas, CA 95035 USA
Tel:+1-408-855-8866 Fax:+1-408-855-8868



PLA1Txxx



PLA1Txxx-x/x



PLA1Txxx-x/xP

Southern California Office:

15991 Red Hill Avenue, Suite #102,
Tustin, CA 92780 USA
Tel:+1-714-460-0718 Fax:+1-714-460-0728

<http://www.palnova.com>

Northern California Office:

500 Yosemite Drive,
Milpitas, CA 95035 USA
Tel:+1-408-855-8866 Fax:+1-408-855-8868

● 1 X 1 Tab Up / Extended Series



Complies with requirement of IEEE 802.3u/802.3ab standards

RJ45 connector with 10/100/1000 BASE-TX magnetic.

Design for 10/100 /1000BASE transmission over UTP-5 cable.

Complies with ROHS requirements.

With/Out LEDS

With/Out EMI Fingers

● Electrical Specifications@25°C --- Operating Temperature 0°C to +70°C

	Turns Ratio		Insertion Loss (dB Max)		Return Loss (dB Min)			Cross talk (dB Min)			CMR (dB Min)			HI-POT (Vrms)
	TX	RX	0.3-100		1-30	30-60	60-80	0.3-30	30-60	60-100	1-30	30-60	60-100	
			MHz	1000 base										
PRU1Sxxx	1CT:1	1CT:1	-1.1	-1.0	-16	-13	-10	-40	-35	-30	-30	-25	-20	1500
PRU1Txxx	1CT:1	1CT:1	-1.1	-1.0	-16	-13	-10	-40	-35	-30	-30	-25	-20	1500
PRU1Sxxx-x/x	1CT:1	1CT:1	-1.1	-1.0	-16	-13	-10	-40	-35	-30	-30	-25	-20	1500
PRU1Txxx-x/x	1CT:1	1CT:1	-1.1	-1.0	-16	-13	-10	-40	-35	-30	-30	-25	-20	1500
PRU1Uxxx	1CT:1	1CT:1	-1.1	-1.0	-16	-13	-10	-40	-35	-30	-30	-25	-20	1500
PGU1Sxxx	1CT:1	1CT:1	-1.1	-1.0	-16	-13	-10	-40	-35	-30	-30	-25	-20	1500
PGU1Txxx	1CT:1	1CT:1	-1.1	-1.0	-16	-13	-10	-40	-35	-30	-30	-25	-20	1500
PGU1Sxxx-x/xP	1CT:1	1CT:1	-1.1	-1.0	-16	-13	-10	-40	-35	-30	-30	-25	-20	1500
PGU1Txxx-x/xP	1CT:1	1CT:1	-1.1	-1.0	-16	-13	-10	-40	-35	-30	-30	-25	-20	1500
PGA1Sxxx	1CT:1	1CT:1	-1.1	-1.0	-16	-13	-10	-40	-35	-30	-30	-25	-20	1500
PGA1Sxxx-x/xP	1CT:1	1CT:1	-1.1	-1.0	-16	-13	-10	-40	-35	-30	-30	-25	-20	1500
PGA1Txxx	1CT:1	1CT:1	-1.1	-1.0	-16	-13	-10	-40	-35	-30	-30	-25	-20	1500
PGA1Txxx-x/xP	1CT:1	1CT:1	-1.1	-1.0	-16	-13	-10	-40	-35	-30	-30	-25	-20	1500
PGU1Uxxx-x/xP	1CT:1	1CT:1	-1.1	-1.0	-16	-13	-10	-40	-35	-30	-30	-25	-20	1500
PGU1Uxxx	1CT:1	1CT:1	-1.1	-1.0	-16	-13	-10	-40	-35	-30	-30	-25	-20	1500
PGA1Uxxx	1CT:1	1CT:1	-1.1	-1.0	-16	-13	-10	-40	-35	-30	-30	-25	-20	1500
PGA1Uxxx-x/xP	1CT:1	1CT:1	-1.1	-1.0	-16	-13	-10	-40	-35	-30	-30	-25	-20	1500

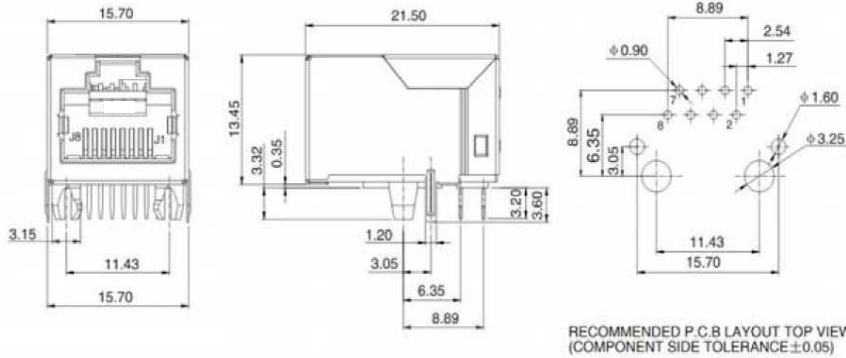
Southern California Office:

15991 Red Hill Avenue, Suite #102,
Tustin, CA 92780 USA
Tel:+1-714-460-0718 Fax:+1-714-460-0728

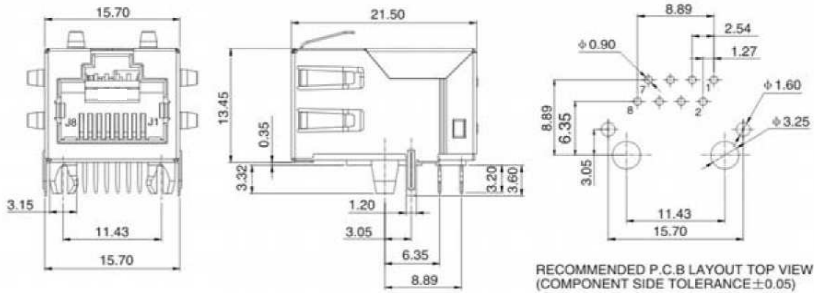
<http://www.palnova.com>

Northern California Office:

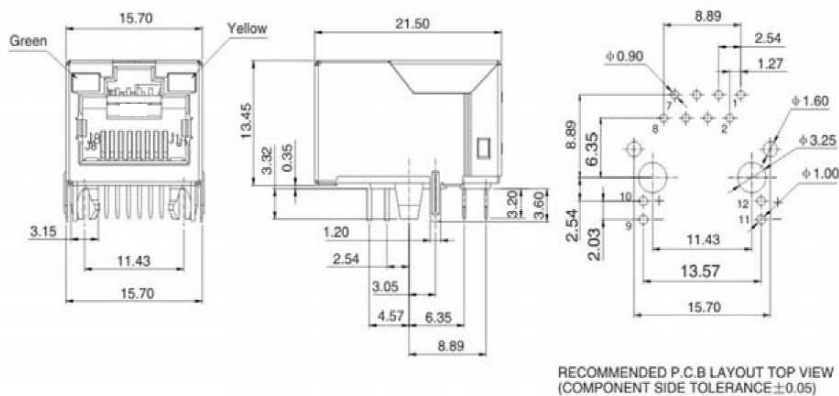
500 Yosemite Drive,
Milpitas, CA 95035 USA
Tel:+1-408-855-8866 Fax:+1-408-855-8868



PRU1Sxxx



PRU1Txxx



PRU1Sxxx-x/x

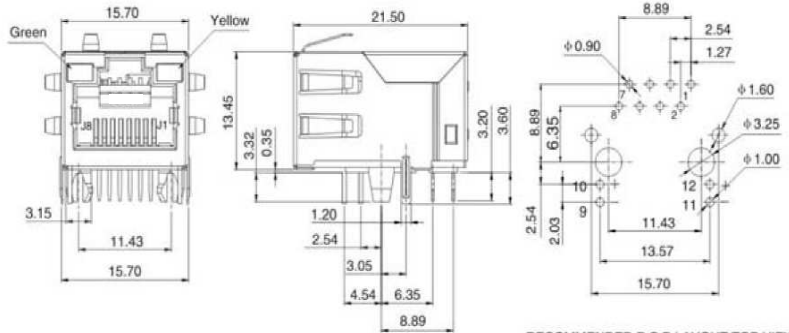
Southern California Office:

15991 Red Hill Avenue, Suite #102,
Tustin, CA 92780 USA
Tel:+1-714-460-0718 Fax:+1-714-460-0728

<http://www.palnova.com>

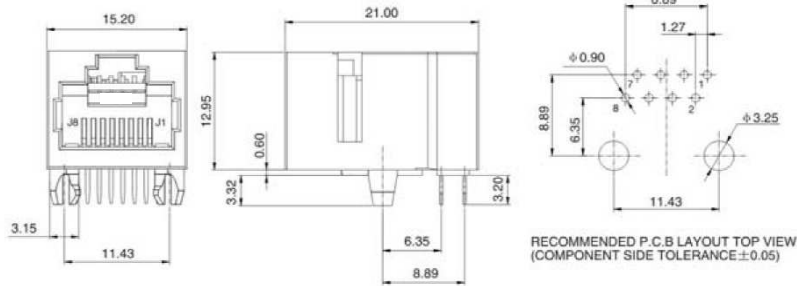
Northern California Office:

500 Yosemite Drive,
Milpitas, CA 95035 USA
Tel:+1-408-855-8866 Fax:+1-408-855-8868



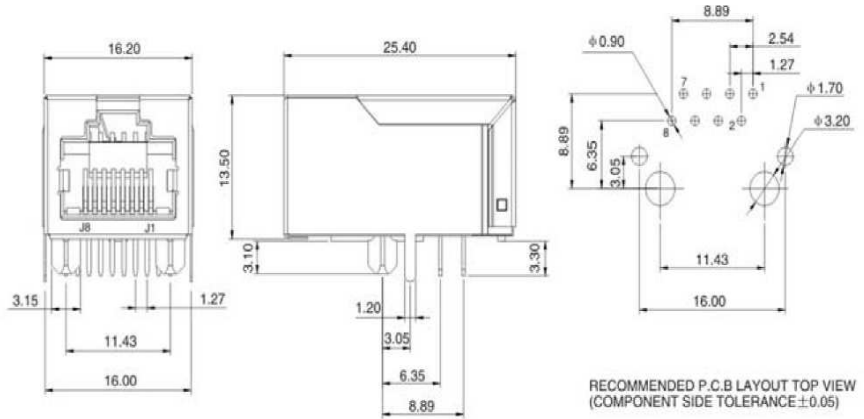
RECOMMENDED P.C.B LAYOUT TOP VIEW
(COMPONENT SIDE TOLERANCE ± 0.05)

PRU1Txxx-x/x



RECOMMENDED P.C.B LAYOUT TOP VIEW
(COMPONENT SIDE TOLERANCE ± 0.05)

PRU1Uxxx



RECOMMENDED P.C.B LAYOUT TOP VIEW
(COMPONENT SIDE TOLERANCE ± 0.05)

PGU1Sxxx

Southern California Office:

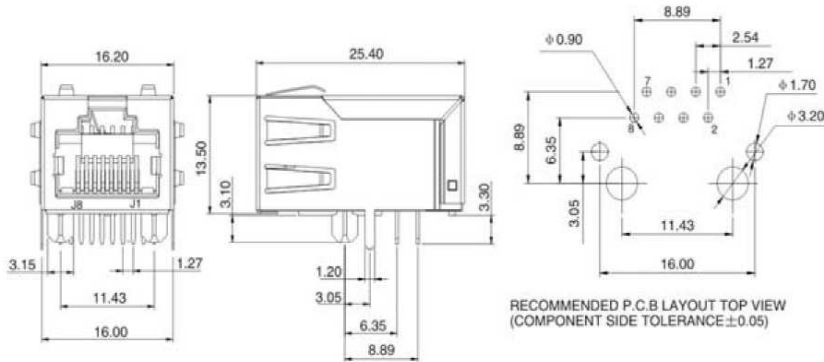
15991 Red Hill Avenue, Suite #102,
Tustin, CA 92780 USA
Tel:+1-714-460-0718 Fax:+1-714-460-0728

<http://www.palnova.com>

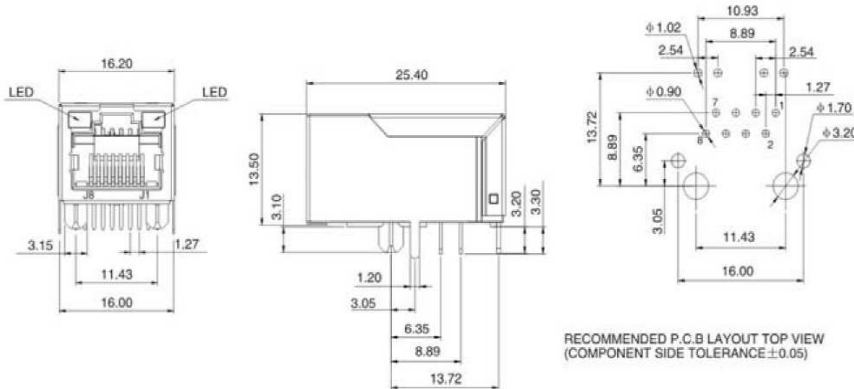
Northern California Office:

500 Yosemite Drive,
Milpitas, CA 95035 USA
Tel:+1-408-855-8866 Fax:+1-408-855-8868

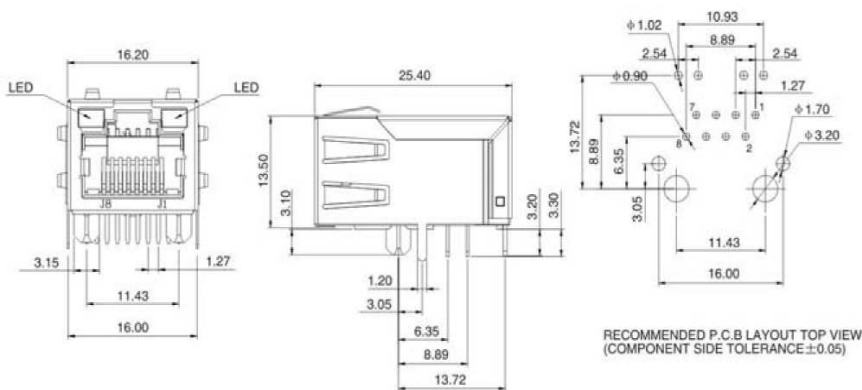
PALNOVA



PGU1Txxx



PGU1Sxxx-x/XP



PGU1Txxx-x/XP

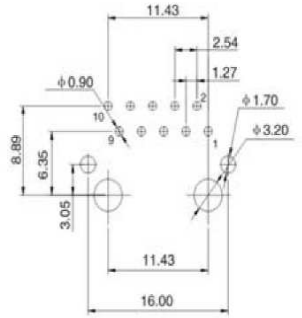
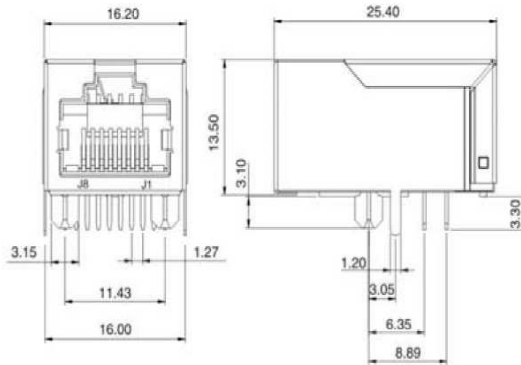
Southern California Office:

15991 Red Hill Avenue, Suite #102,
Tustin, CA 92780 USA
Tel:+1-714-460-0718 Fax:+1-714-460-0728

<http://www.palnova.com>

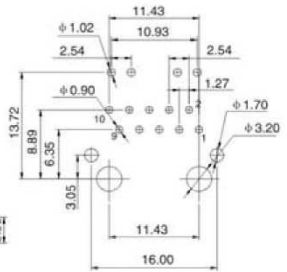
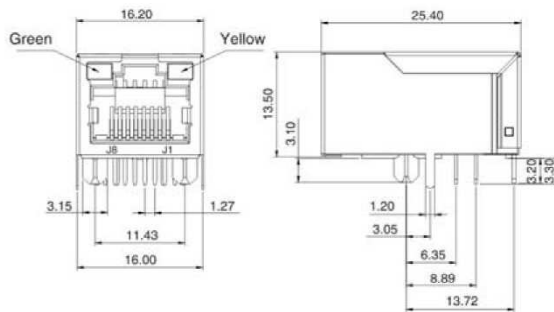
Northern California Office:

500 Yosemite Drive,
Milpitas, CA 95035 USA
Tel:+1-408-855-8866 Fax:+1-408-855-8868



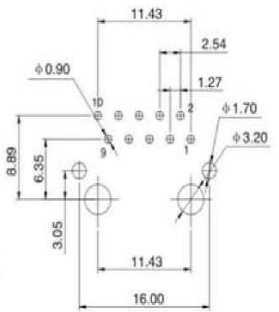
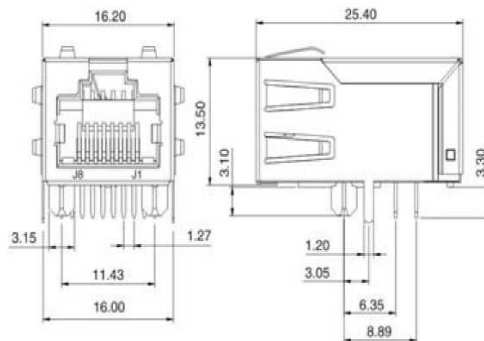
RECOMMENDED P.C.B LAYOUT TOP VIEW
(COMPONENT SIDE TOLERANCE ± 0.05)

PGA1Sxxx



RECOMMENDED P.C.B LAYOUT TOP VIEW
(COMPONENT SIDE TOLERANCE ± 0.05)

PGA1Sxxx-x/xP



RECOMMENDED P.C.B LAYOUT TOP VIEW
(COMPONENT SIDE TOLERANCE ± 0.05)

PGA1Txxx

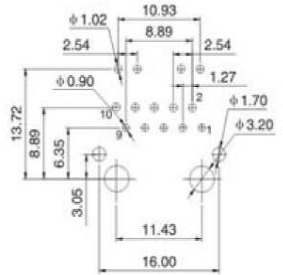
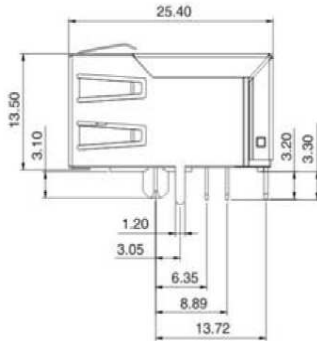
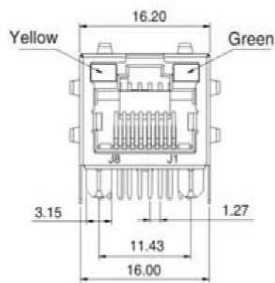
Southern California Office:

15991 Red Hill Avenue, Suite #102,
Tustin, CA 92780 USA
Tel:+1-714-460-0718 Fax:+1-714-460-0728

<http://www.palnova.com>

Northern California Office:

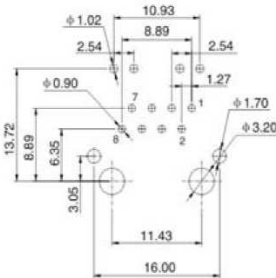
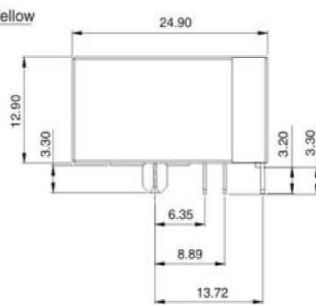
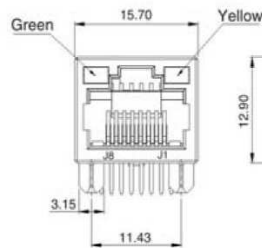
500 Yosemite Drive,
Milpitas, CA 95035 USA
Tel:+1-408-855-8866 Fax:+1-408-855-8868



RECOMMENDED P.C.B LAYOUT TOP VIEW
(COMPONENT SIDE TOLERANCE ± 0.05)



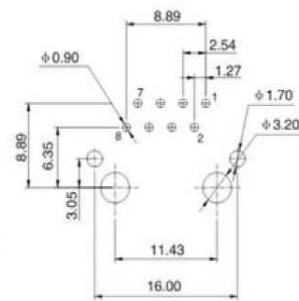
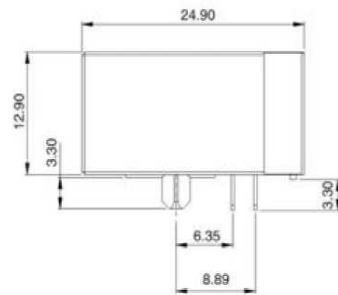
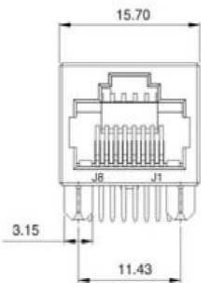
PGA1Txxx-x/xP



RECOMMENDED P.C.B LAYOUT TOP VIEW
(COMPONENT SIDE TOLERANCE ± 0.05)



PGU1Uxxx-x/xP



RECOMMENDED P.C.B LAYOUT TOP VIEW
(COMPONENT SIDE TOLERANCE ± 0.05)



PGU1Uxxx

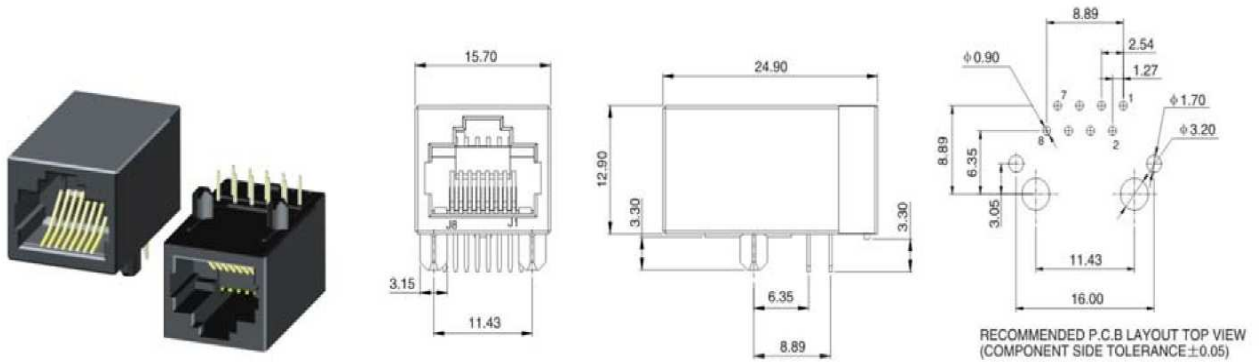
Southern California Office:

15991 Red Hill Avenue, Suite #102,
Tustin, CA 92780 USA
Tel:+1-714-460-0718 Fax:+1-714-460-0728

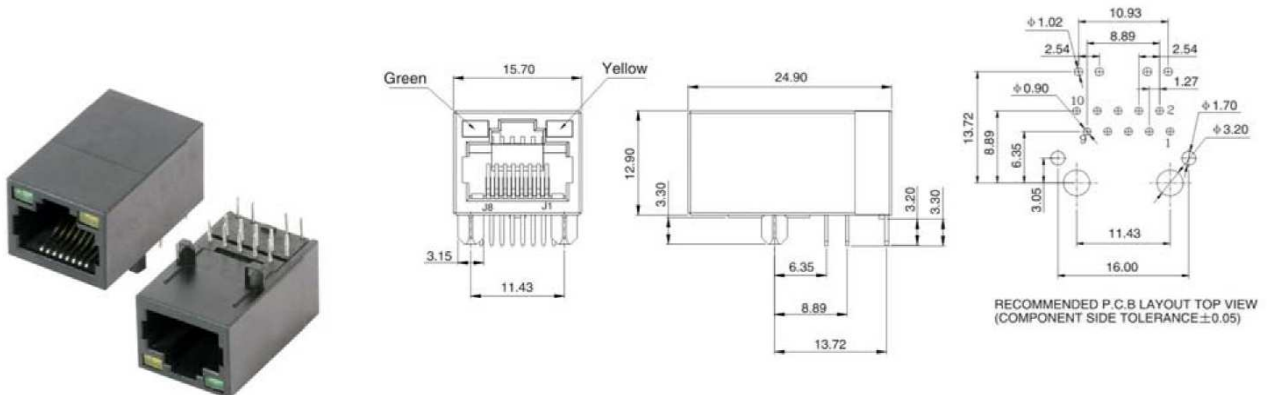
<http://www.palnova.com>

Northern California Office:

500 Yosemite Drive,
Milpitas, CA 95035 USA
Tel:+1-408-855-8866 Fax:+1-408-855-8868



PGA1Uxxx



PGA1Uxxx-X/XP

Southern California Office:

15991 Red Hill Avenue, Suite #102,
Tustin, CA 92780 USA
Tel:+1-714-460-0718 Fax:+1-714-460-0728

<http://www.palnova.com>

Northern California Office:

500 Yosemite Drive,
Milpitas, CA 95035 USA
Tel:+1-408-855-8866 Fax:+1-408-855-8868

● 1 X 1 Vertical, SMT Series



Complies with requirement of IEEE 802.3u/802.3ab standards.

RJ45 connector with 10/100/1000 BASE-TX magnetic.

Design for 10/100 /1000BASE transmission over UTP-5 cable.

Complies with ROHS requirements.

With/Out LEDS

With/Out EMI Fingers

● Electrical Specifications@25°C --- Operating Temperature 0°C to +70°C

	Turns Ratio		Insertion Loss (dB Max)		Return Loss (dB Min)			Cross talk (dB Min)			CMR (dB Min)			HI-POT (Vrms)
	TX	RX	0.3-100		1-30	30-60	60-80	0.3-30	30-60	60-100	1-30	30-60	60-100	
			MHz	100 base	1000 base	MHz	MHz	MHz	MHz	MHz	MHz	MHz	MHz	
PHU1Sxxx	1CT:1	1CT:1	-1.1	-1.0	-16	-13	-10	-40	-35	-30	-30	-25	-20	1500
PHU1Sxxx-x/x	1CT:1	1CT:1	-1.1	-1.0	-16	-13	-10	-40	-35	-30	-30	-25	-20	1500
PHA1Sxxx	1CT:1	1CT:1	-1.1	-1.0	-16	-13	-10	-40	-35	-30	-30	-25	-20	1500
PHA1Sxxx-x/x	1CT:1	1CT:1	-1.1	-1.0	-16	-13	-10	-40	-35	-30	-30	-25	-20	1500
PMU1Sxxx	1CT:1	1CT:1	-1.1	-1.0	-16	-13	-10	-40	-35	-30	-30	-25	-20	1500
PRCU1Sxxx-x/x	1CT:1	1CT:1	-1.1	-1.0	-16	-13	-10	-40	-35	-30	-30	-25	-20	1500
PRBU1Sxxx-x/x	1CT:1	1CT:1	-1.1	-1.0	-16	-13	-10	-40	-35	-30	-30	-25	-20	1500
PRCU1Sxxx	1CT:1	1CT:1	-1.1	-1.0	-16	-13	-10	-40	-35	-30	-30	-25	-20	1500
PRBU1Sxxx	1CT:1	1CT:1	-1.1	-1.0	-16	-13	-10	-40	-35	-30	-30	-25	-20	1500

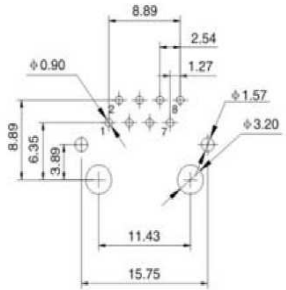
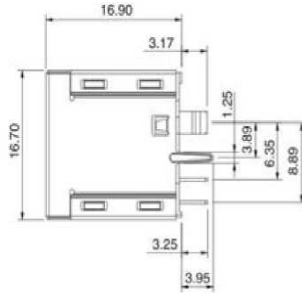
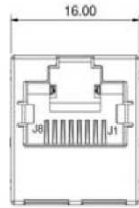
Southern California Office:

15991 Red Hill Avenue, Suite #102,
Tustin, CA 92780 USA
Tel:+1-714-460-0718 Fax:+1-714-460-0728

<http://www.palnova.com>

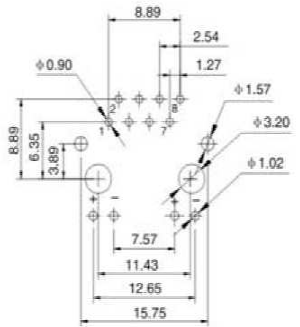
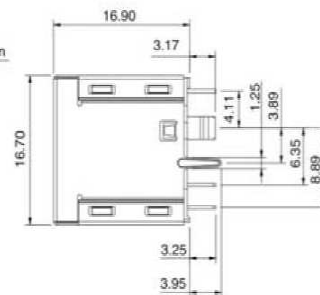
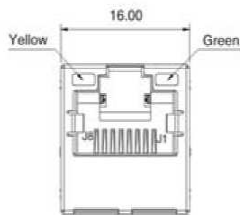
Northern California Office:

500 Yosemite Drive,
Milpitas, CA 95035 USA
Tel:+1-408-855-8866 Fax:+1-408-855-8868



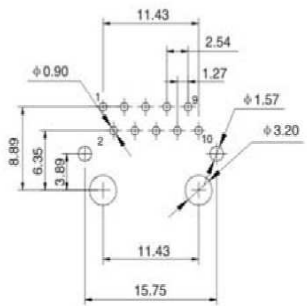
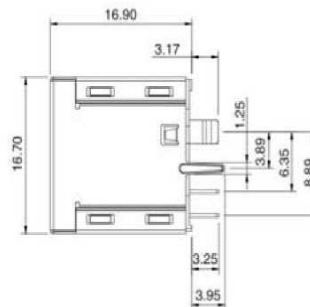
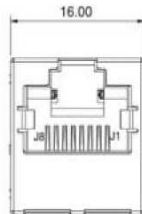
RECOMMENDED P.C.B LAYOUT TOP VIEW
(COMPONENT SIDE TOLERANCE ± 0.05)

PHU1Sxxx



RECOMMENDED P.C.B LAYOUT TOP VIEW
(COMPONENT SIDE TOLERANCE ± 0.05)

PHU1Sxxx-X/X



RECOMMENDED P.C.B LAYOUT TOP VIEW
(COMPONENT SIDE TOLERANCE ± 0.05)

PHA1Sxxx

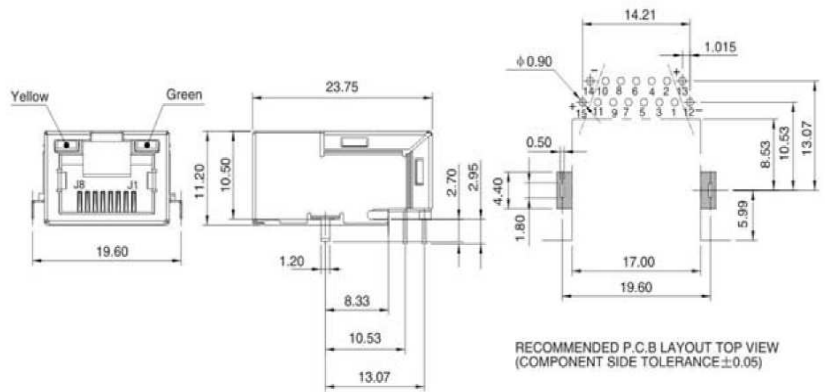
Southern California Office:

15991 Red Hill Avenue, Suite #102,
Tustin, CA 92780 USA
Tel:+1-714-460-0718 Fax:+1-714-460-0728

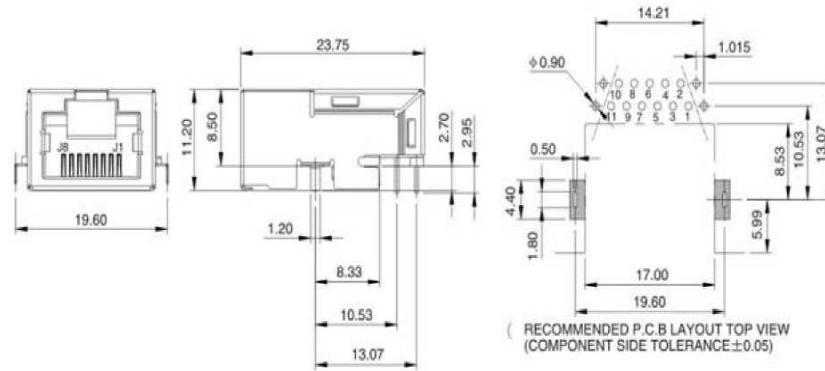
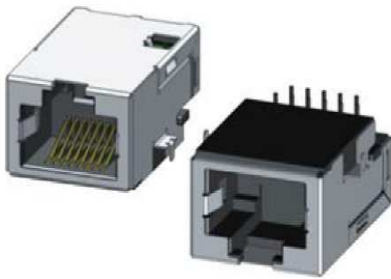
<http://www.palnova.com>

Northern California Office:

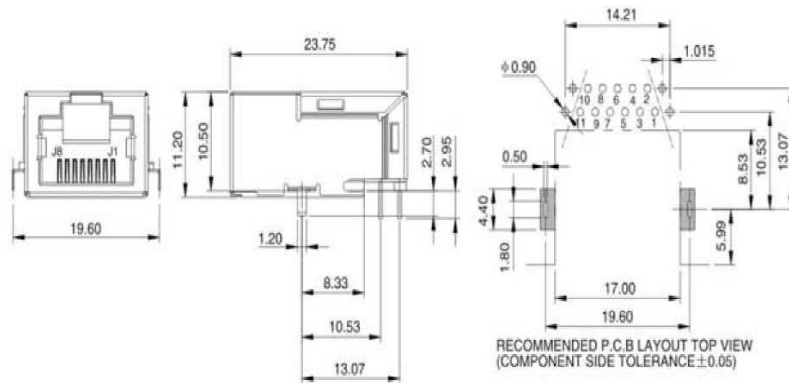
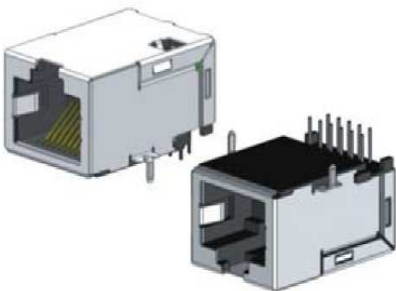
500 Yosemite Drive,
Milpitas, CA 95035 USA
Tel:+1-408-855-8866 Fax:+1-408-855-8868



PRBU1Sxxx-X/X



PRCU1Sxxx



PRBU1Sxxx

Southern California Office:

15991 Red Hill Avenue, Suite #102,
Tustin, CA 92780 USA
Tel:+1-714-460-0718 Fax:+1-714-460-0728

<http://www.palnova.com>

Northern California Office:

500 Yosemite Drive,
Milpitas, CA 95035 USA
Tel:+1-408-855-8866 Fax:+1-408-855-8868

• 1 X 2 Series



Complies with requirement of IEEE 802.3u/802.3ab standards.

RJ45 connector with 10/100/1000 BASE-TX magnetic.

Design for 10/100 /1000BASE transmission over UTP-5 cable.

Complies with ROHS requirements.

With/Out LEDS

With/Out EMI Fingers

• Electrical Specifications@25°C --- Operating Temperature 0°C to +70°C

	Turns Ratio		Insertion Loss (dB Max)		Return Loss (dB Min)			Cross talk (dB Min)			CMR (dB Min)			HI-POT (Vrms)
	TX	RX	0.3-100		1-30	30-60	60-80	0.3-30	30-60	60-100	1-30	30-60	60-100	
			MHz											
			100 base	1000 base	MHz	MHz	MHz	MHz	MHz	MHz				
PLU2Sxxx-XXP	1CT:1	1CT:1	-1.1	-1.0	-16	-13	-10	-40	-35	-30	-30	-25	-20	1500
PLU2Txxx-XXP	1CT:1	1CT:1	-1.1	-1.0	-16	-13	-10	-40	-35	-30	-30	-25	-20	1500
PLU2Sxxx	1CT:1	1CT:1	-1.1	-1.0	-16	-13	-10	-40	-35	-30	-30	-25	-20	1500
PLU2Txxx	1CT:1	1CT:1	-1.1	-1.0	-16	-13	-10	-40	-35	-30	-30	-25	-20	1500
PLU2Uxxx	1CT:1	1CT:1	-1.1	-1.0	-16	-13	-10	-40	-35	-30	-30	-25	-20	1500
PLU2Sxxx-XXP	1CT:1	1CT:1	-1.1	-1.0	-16	-13	-10	-40	-35	-30	-30	-25	-20	1500
PLA2Sxxx-XXP	1CT:1	1CT:1	-1.1	-1.0	-16	-13	-10	-40	-35	-30	-30	-25	-20	1500
PLA2Txxx-XXP	1CT:1	1CT:1	-1.1	-1.0	-16	-13	-10	-40	-35	-30	-30	-25	-20	1500
PLA2Sxxx	1CT:1	1CT:1	-1.1	-1.0	-16	-13	-10	-40	-35	-30	-30	-25	-20	1500
PLA2Txxx	1CT:1	1CT:1	-1.1	-1.0	-16	-13	-10	-40	-35	-30	-30	-25	-20	1500
PLA2Uxxx	1CT:1	1CT:1	-1.1	-1.0	-16	-13	-10	-40	-35	-30	-30	-25	-20	1500
PLA2Uxxx-XXP	1CT:1	1CT:1	-1.1	-1.0	-16	-13	-10	-40	-35	-30	-30	-25	-20	1500
PGU2Sxxx	1CT:1	1CT:1	-1.1	-1.0	-16	-13	-10	-40	-35	-30	-30	-25	-20	1500
PGU2Txxx	1CT:1	1CT:1	-1.1	-1.0	-16	-13	-10	-40	-35	-30	-30	-25	-20	1500
PGU2Uxxx	1CT:1	1CT:1	-1.1	-1.0	-16	-13	-10	-40	-35	-30	-30	-25	-20	1500
PGU2Uxxx-XX	1CT:1	1CT:1	-1.1	-1.0	-16	-13	-10	-40	-35	-30	-30	-25	-20	1500
PGU2Sxxx-XX	1CT:1	1CT:1	-1.1	-1.0	-16	-13	-10	-40	-35	-30	-30	-25	-20	1500
PGU2Txxx-XX	1CT:1	1CT:1	-1.1	-1.0	-16	-13	-10	-40	-35	-30	-30	-25	-20	1500
PGA2Sxxx	1CT:1	1CT:1	-1.1	-1.0	-16	-13	-10	-40	-35	-30	-30	-25	-20	1500
PGA2Txxx	1CT:1	1CT:1	-1.1	-1.0	-16	-13	-10	-40	-35	-30	-30	-25	-20	1500
PGA2Uxxx	1CT:1	1CT:1	-1.1	-1.0	-16	-13	-10	-40	-35	-30	-30	-25	-20	1500
PGA2Uxxx-XX	1CT:1	1CT:1	-1.1	-1.0	-16	-13	-10	-40	-35	-30	-30	-25	-20	1500
PGA2Sxxx-XX	1CT:1	1CT:1	-1.1	-1.0	-16	-13	-10	-40	-35	-30	-30	-25	-20	1500
PGA2Txxx-XX	1CT:1	1CT:1	-1.1	-1.0	-16	-13	-10	-40	-35	-30	-30	-25	-20	1500
PPA2Txxx	1CT:1	1CT:1	-1.1	-1.0	-16	-13	-10	-40	-35	-30	-30	-25	-20	1500
PPU2Txxx	1CT:1	1CT:1	-1.1	-1.0	-16	-13	-10	-40	-35	-30	-30	-25	-20	1500

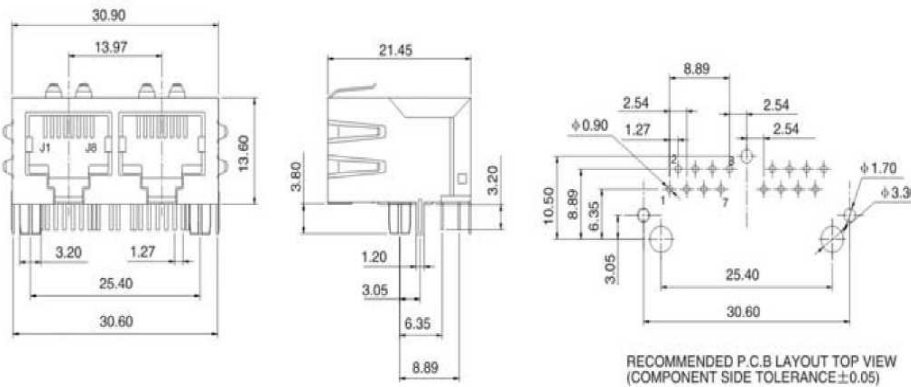
Southern California Office:

15991 Red Hill Avenue, Suite #102,
Tustin, CA 92780 USA
Tel:+1-714-460-0718 Fax:+1-714-460-0728

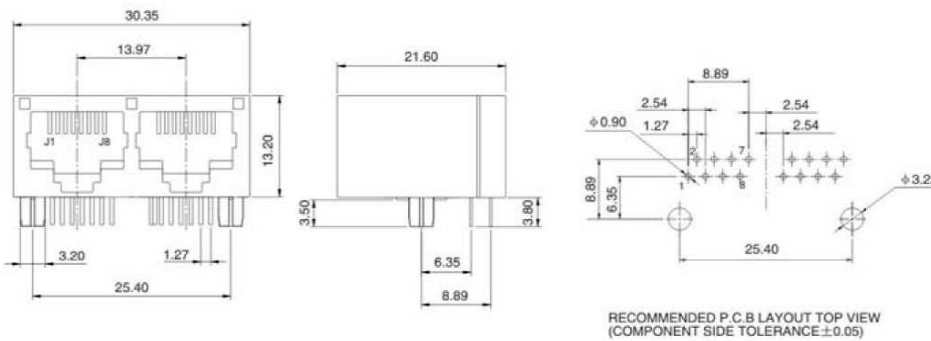
<http://www.palnova.com>

Northern California Office:

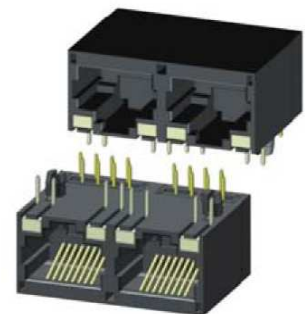
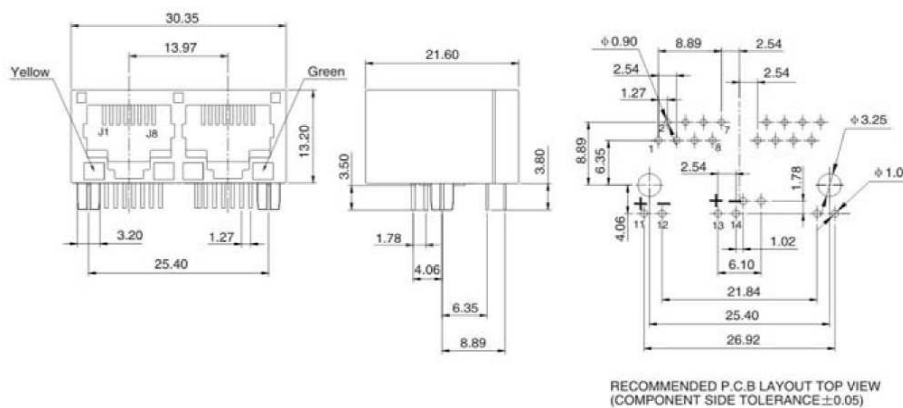
500 Yosemite Drive,
Milpitas, CA 95035 USA
Tel:+1-408-855-8866 Fax:+1-408-855-8868



PLU2Txxx



PLU2Uxxx



PLU2Uxxx-X/XP

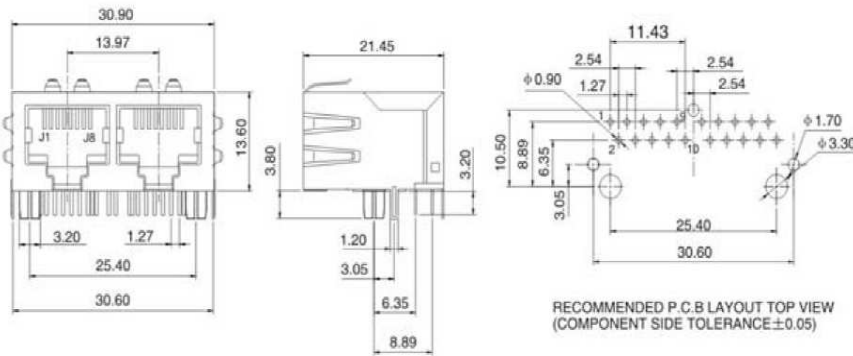
Southern California Office:

15991 Red Hill Avenue, Suite #102,
Tustin, CA 92780 USA
Tel:+1-714-460-0718 Fax:+1-714-460-0728

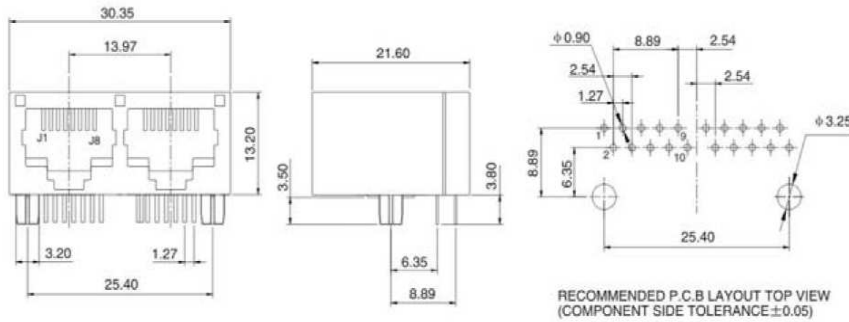
<http://www.palnova.com>

Northern California Office:

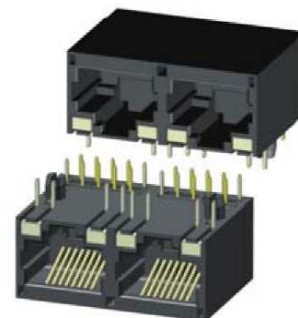
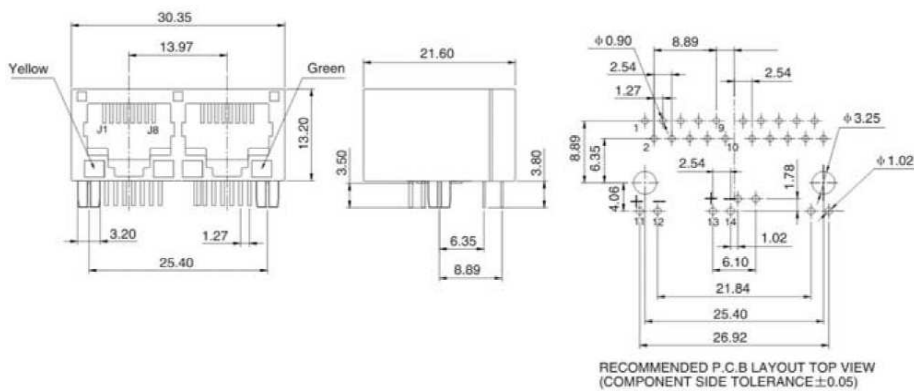
500 Yosemite Drive,
Milpitas, CA 95035 USA
Tel:+1-408-855-8866 Fax:+1-408-855-8868



PLA2Txxx



PLA2Uxxx



PLA2Uxxx-X/XP

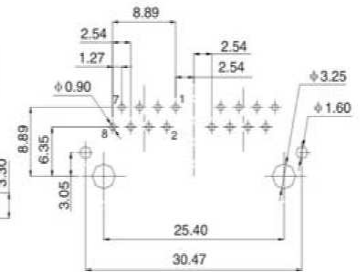
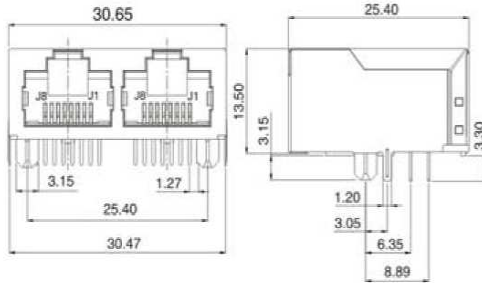
Southern California Office:

15991 Red Hill Avenue, Suite #102,
Tustin, CA 92780 USA
Tel:+1-714-460-0718 Fax:+1-714-460-0728

<http://www.palnova.com>

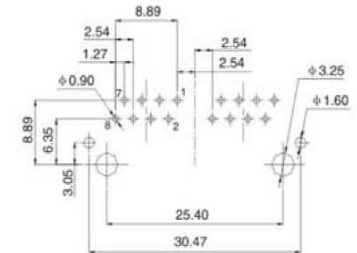
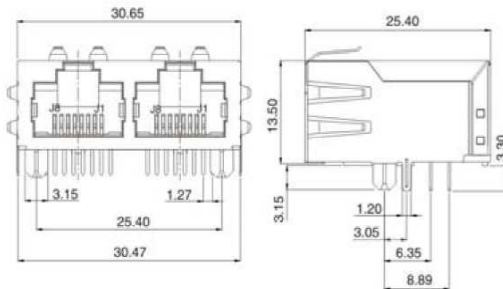
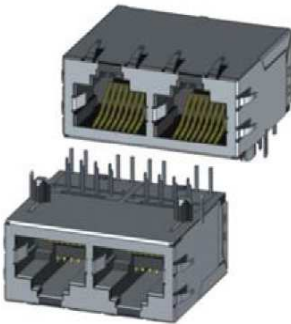
Northern California Office:

500 Yosemite Drive,
Milpitas, CA 95035 USA
Tel:+1-408-855-8866 Fax:+1-408-855-8868



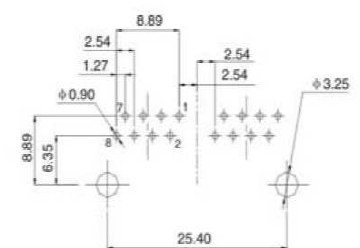
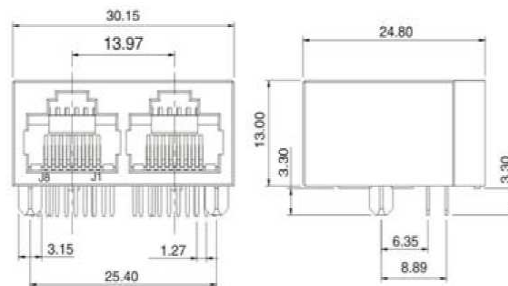
RECOMMENDED P.C.B LAYOUT TOP VIEW
(COMPONENT SIDE TOLERANCE ± 0.05)

PGU2Sxxx



RECOMMENDED P.C.B LAYOUT TOP VIEW
(COMPONENT SIDE TOLERANCE ± 0.05)

PGU2Txxx



RECOMMENDED P.C.B LAYOUT TOP VIEW
(COMPONENT SIDE TOLERANCE ± 0.05)

PGU2Uxxx

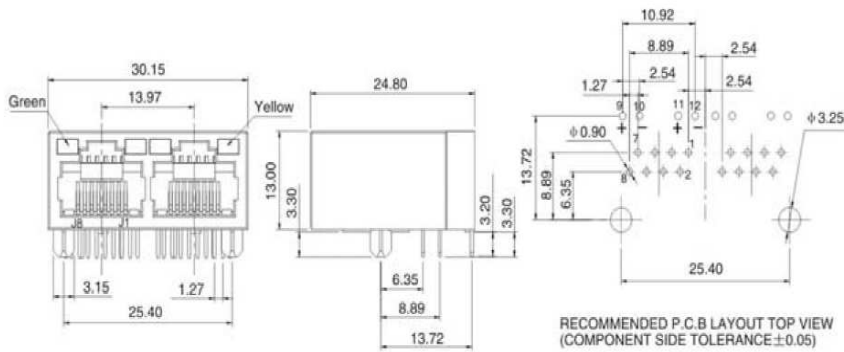
Southern California Office:

15991 Red Hill Avenue, Suite #102,
Tustin, CA 92780 USA
Tel:+1-714-460-0718 Fax:+1-714-460-0728

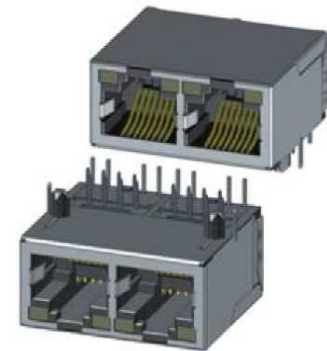
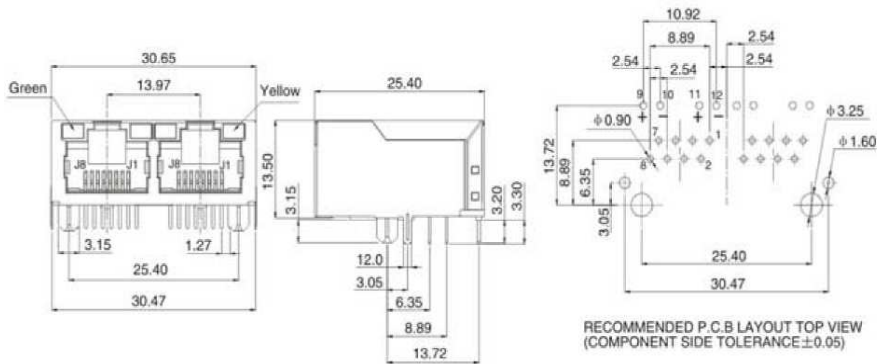
<http://www.palnova.com>

Northern California Office:

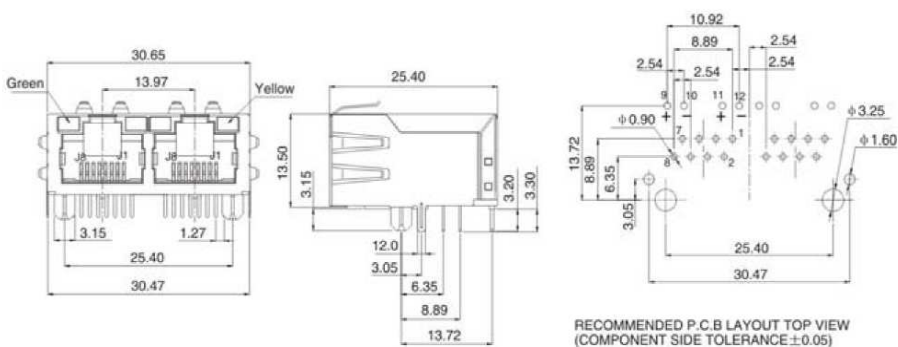
500 Yosemite Drive,
Milpitas, CA 95035 USA
Tel:+1-408-855-8866 Fax:+1-408-855-8868



PGU2Uxxx-X/X



PGU2Sxxx-X/X



PGU2Txxx-X/X

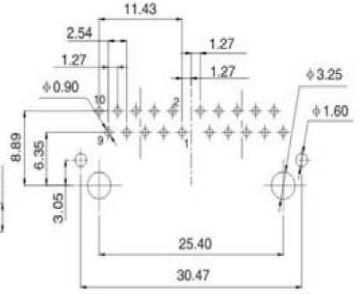
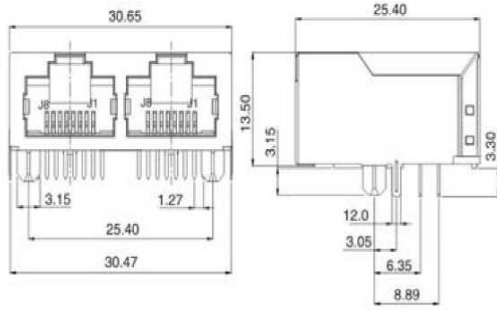
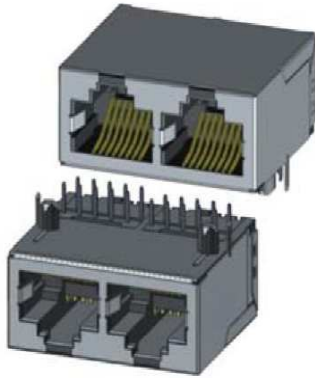
Southern California Office:

15991 Red Hill Avenue, Suite #102,
Tustin, CA 92780 USA
Tel:+1-714-460-0718 Fax:+1-714-460-0728

<http://www.palnova.com>

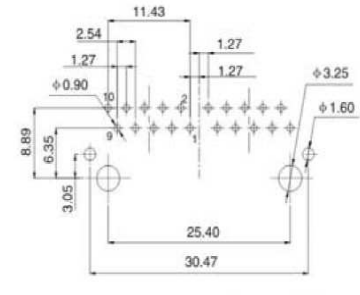
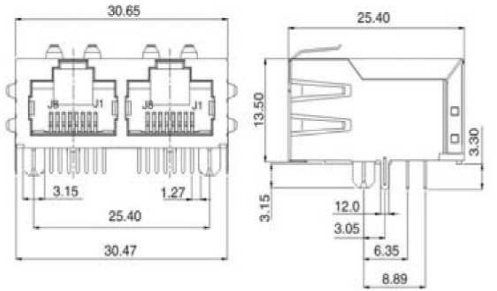
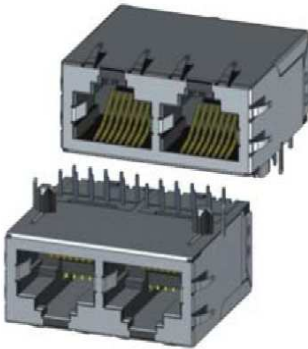
Northern California Office:

500 Yosemite Drive,
Milpitas, CA 95035 USA
Tel:+1-408-855-8866 Fax:+1-408-855-8868



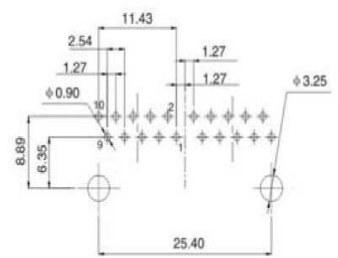
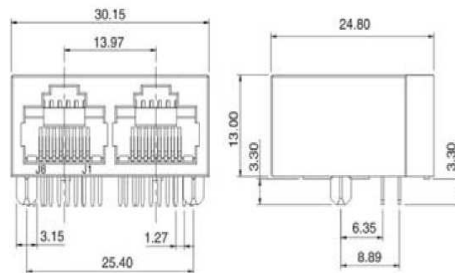
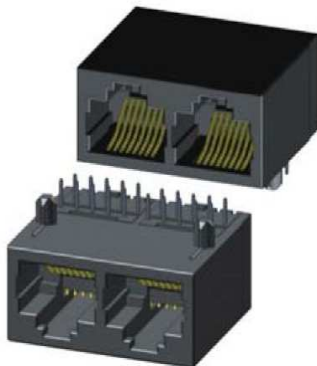
RECOMMENDED P.C.B. LAYOUT TOP VIEW
(COMPONENT SIDE TOLERANCE ± 0.05)

PGA2Sxxx



RECOMMENDED P.C.B. LAYOUT TOP VIEW
(COMPONENT SIDE TOLERANCE ± 0.05)

PGA2Txxx



RECOMMENDED P.C.B. LAYOUT TOP VIEW
(COMPONENT SIDE TOLERANCE ± 0.05)

PGA2Uxxx

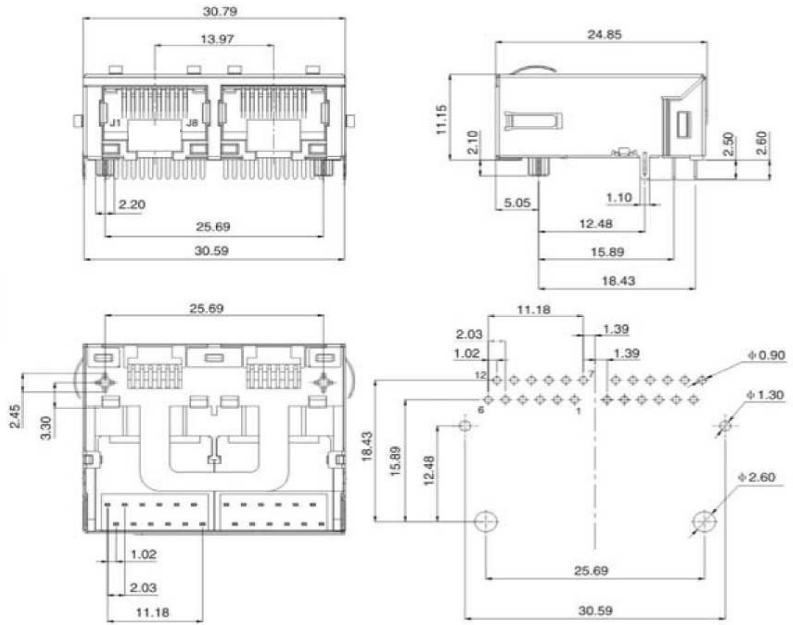
Southern California Office:

15991 Red Hill Avenue, Suite #102,
Tustin, CA 92780 USA
Tel:+1-714-460-0718 Fax:+1-714-460-0728

<http://www.palnova.com>

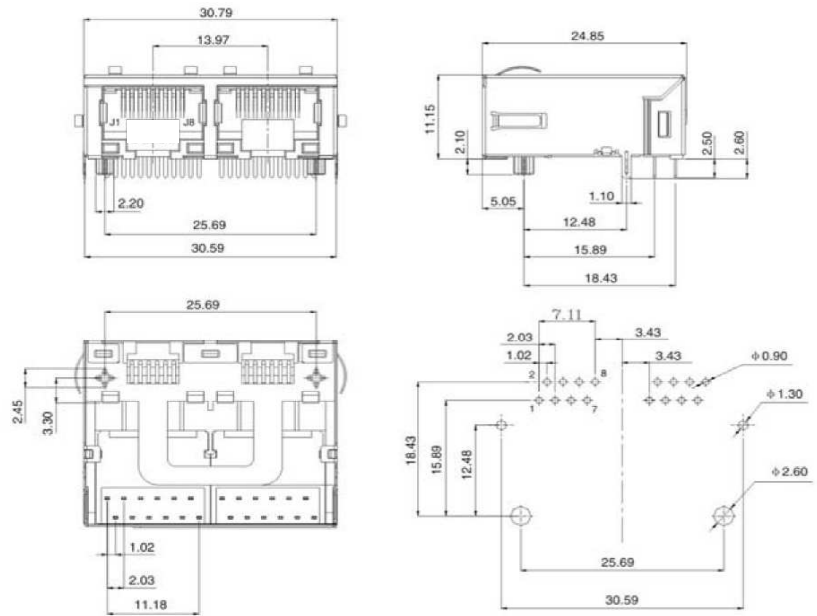
Northern California Office:

500 Yosemite Drive,
Milpitas, CA 95035 USA
Tel:+1-408-855-8866 Fax:+1-408-855-8868



RECOMMENDED P.C.B. LAYOUT TOP VIEW
(COMPONENT SIDE TOLERANCE ± 0.05)

PPA2Txxx



RECOMMENDED P.C.B. LAYOUT TOP VIEW
(COMPONENT SIDE TOLERANCE ± 0.05)

PPU2Txxx

Southern California Office:

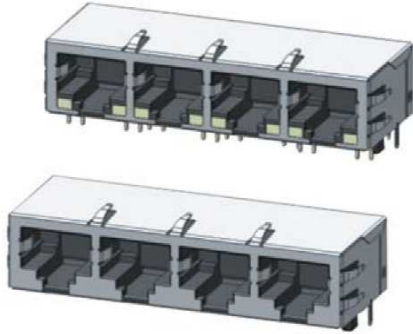
15991 Red Hill Avenue, Suite #102,
Tustin, CA 92780 USA
Tel:+1-714-460-0718 Fax:+1-714-460-0728

<http://www.palnova.com>

Northern California Office:

500 Yosemite Drive,
Milpitas, CA 95035 USA
Tel:+1-408-855-8866 Fax:+1-408-855-8868

● 1 X 4 Series



Complies with requirement of IEEE 802.3u/802.3ab standards.

RJ45 connector with 10/100/1000 BASE-TX magnetic.

Design for 10/100 /1000BASE transmission over UTP-5 cable.

Complies with ROHS requirements.

With/Out LEDS

With/Out EMI Fingers

● Electrical Specifications@25°C --- Operating Temperature 0°C to +70°C

	Turns Ratio		Insertion Loss (dB Max)		Return Loss (dB Min)			Cross talk (dB Min)			CMR (dB Min)			HI-POT (Vrms)
	TX	RX	0.3-100		1-30	30-60	60-80	0.3-30	30-60	60-100	1-30	30-60	60-100	
			MHz		MHz	MHz	MHz	MHz	MHz	MHz	MHz	MHz	MHz	
			100 base	1000 base										1500
PLU4Sxxx	1CT:1	1CT:1	-1.1	-1.0	-16	-13	-10	-40	-35	-30	-30	-25	-20	1500
PLU4Txxx	1CT:1	1CT:1	-1.1	-1.0	-16	-13	-10	-40	-35	-30	-30	-25	-20	1500
PLU4Sxxx-x/x	1CT:1	1CT:1	-1.1	-1.0	-16	-13	-10	-40	-35	-30	-30	-25	-20	1500
PLU4Txxx-x/x	1CT:1	1CT:1	-1.1	-1.0	-16	-13	-10	-40	-35	-30	-30	-25	-20	1500
PLA4Sxxx	1CT:1	1CT:1	-1.1	-1.0	-16	-13	-10	-40	-35	-30	-30	-25	-20	1500
PLA4Txxx	1CT:1	1CT:1	-1.1	-1.0	-16	-13	-10	-40	-35	-30	-30	-25	-20	1500
PLA4Sxxx-x/x	1CT:1	1CT:1	-1.1	-1.0	-16	-13	-10	-40	-35	-30	-30	-25	-20	1500
PLA4Txxx-x/x	1CT:1	1CT:1	-1.1	-1.0	-16	-13	-10	-40	-35	-30	-30	-25	-20	1500
PGA4Txxx-x/x	1CT:1	1CT:1	-1.1	-1.0	-16	-13	-10	-40	-35	-30	-30	-25	-20	1500
PGU4Txxx-x/x	1CT:1	1CT:1	-1.1	-1.0	-16	-13	-10	-40	-35	-30	-30	-25	-20	1500

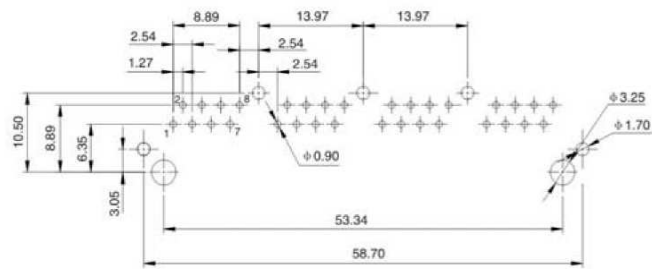
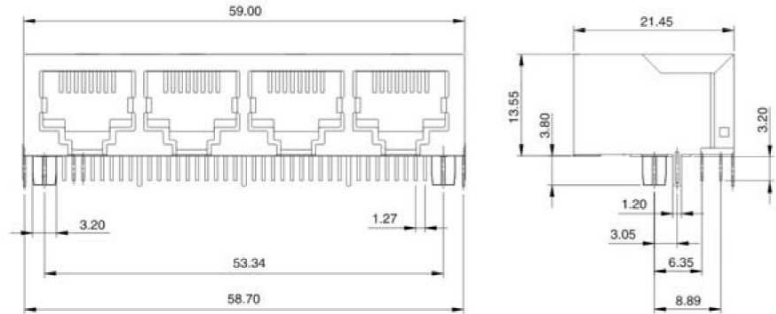
Southern California Office:

15991 Red Hill Avenue, Suite #102,
Tustin, CA 92780 USA
Tel:+1-714-460-0718 Fax:+1-714-460-0728

<http://www.palnova.com>

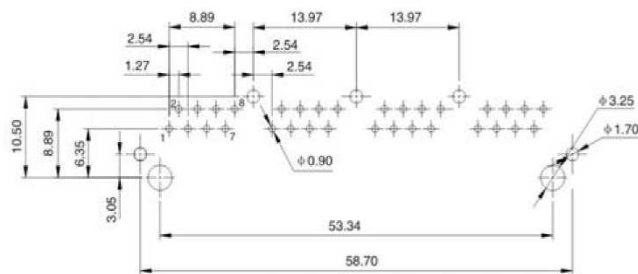
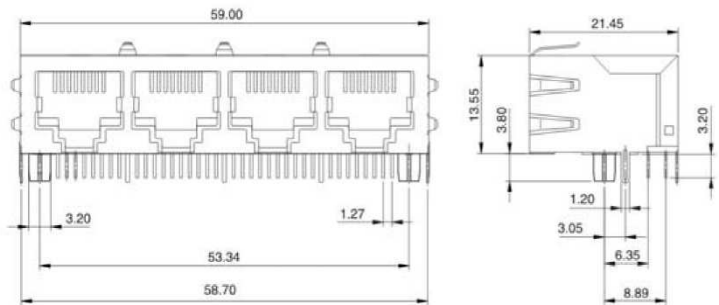
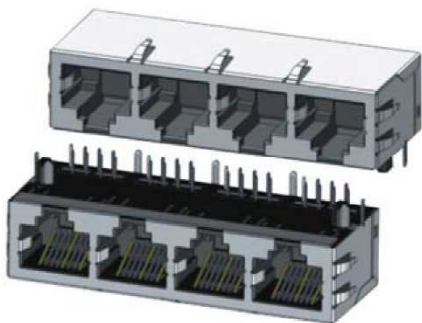
Northern California Office:

500 Yosemite Drive,
Milpitas, CA 95035 USA
Tel:+1-408-855-8866 Fax:+1-408-855-8868



RECOMMENDED P.C.B LAYOUT TOP VIEW
(COMPONENT SIDE TOLERANCE ± 0.05)

PLU4Sxxx



RECOMMENDED P.C.B LAYOUT TOP VIEW
(COMPONENT SIDE TOLERANCE ± 0.05)

PLU4Txxx

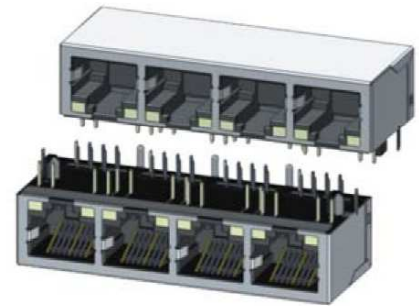
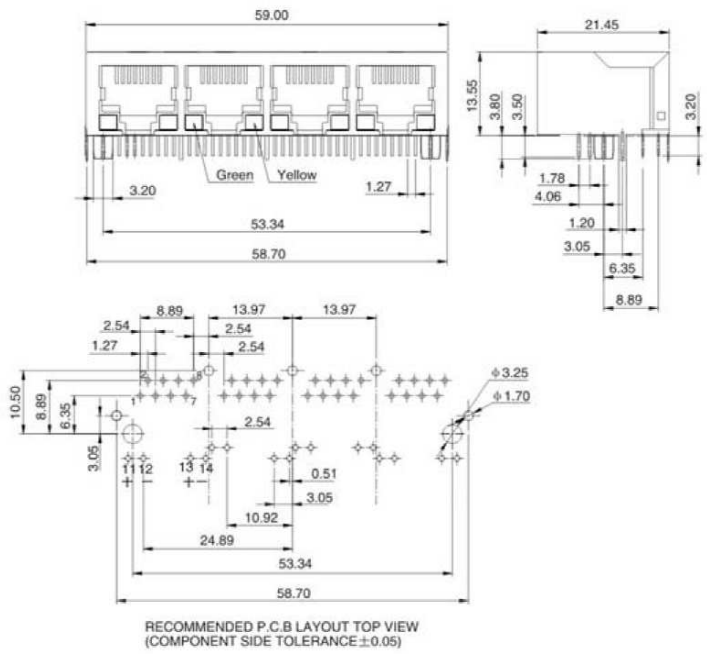
Southern California Office:

15991 Red Hill Avenue, Suite #102,
Tustin, CA 92780 USA
Tel:+1-714-460-0718 Fax:+1-714-460-0728

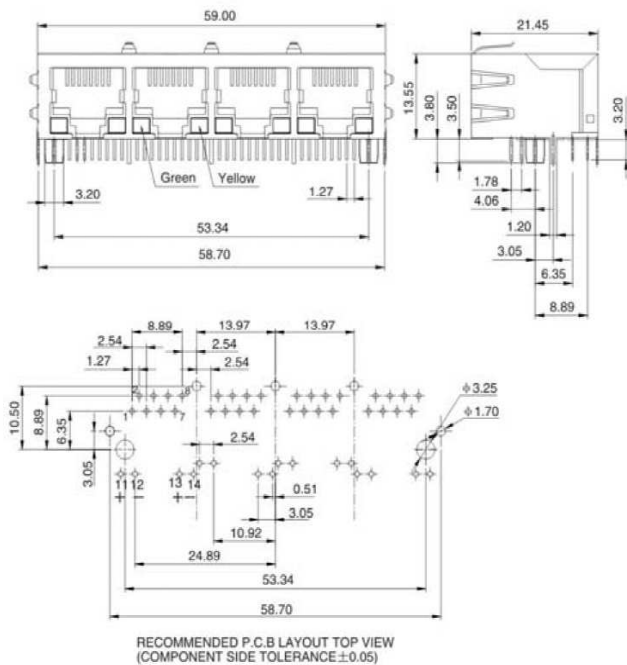
<http://www.palnova.com>

Northern California Office:

500 Yosemite Drive,
Milpitas, CA 95035 USA
Tel:+1-408-855-8866 Fax:+1-408-855-8868



PLU4Sxxx-x/x



PLU4Txxx-x/x

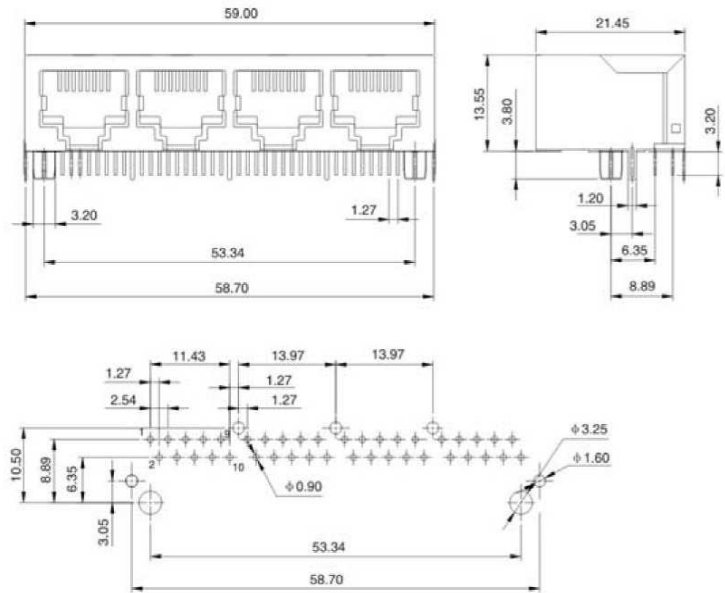
Southern California Office:

15991 Red Hill Avenue, Suite #102,
Tustin, CA 92780 USA
Tel:+1-714-460-0718 Fax:+1-714-460-0728

<http://www.palnova.com>

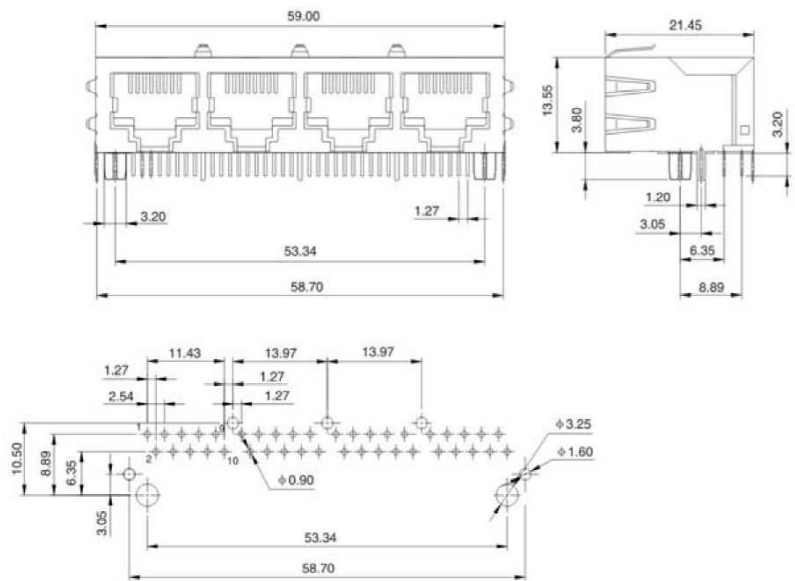
Northern California Office:

500 Yosemite Drive,
Milpitas, CA 95035 USA
Tel:+1-408-855-8866 Fax:+1-408-855-8868



RECOMMENDED P.C.B LAYOUT TOP VIEW
(COMPONENT SIDE TOLERANCE ± 0.05)

PLA4Sxxx



RECOMMENDED P.C.B LAYOUT TOP VIEW
(COMPONENT SIDE TOLERANCE ± 0.05)

PLA4Txxx

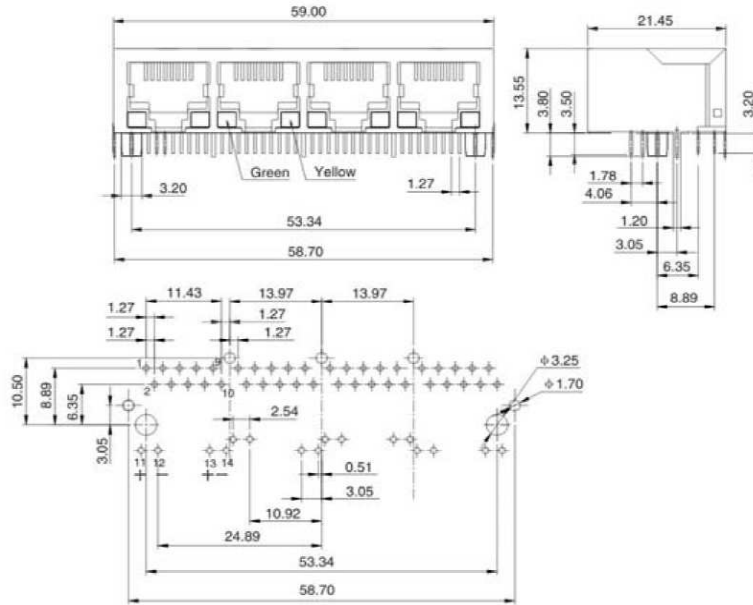
Southern California Office:

15991 Red Hill Avenue, Suite #102,
Tustin, CA 92780 USA
Tel:+1-714-460-0718 Fax:+1-714-460-0728

<http://www.palnova.com>

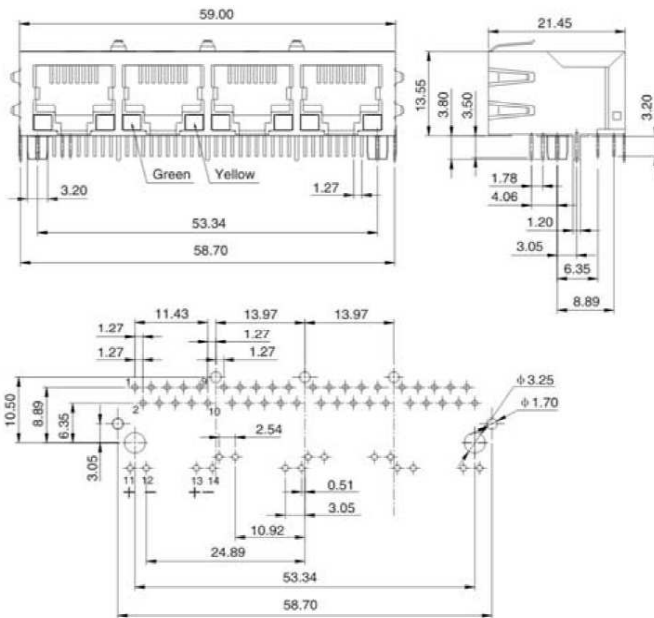
Northern California Office:

500 Yosemite Drive,
Milpitas, CA 95035 USA
Tel:+1-408-855-8866 Fax:+1-408-855-8868



RECOMMENDED P.C.B LAYOUT TOP VIEW
(COMPONENT SIDE TOLERANCE ± 0.05)

PLA4Sxxx-x/x



RECOMMENDED P.C.B LAYOUT TOP VIEW
(COMPONENT SIDE TOLERANCE ± 0.05)

PLA4Txxx-x/x

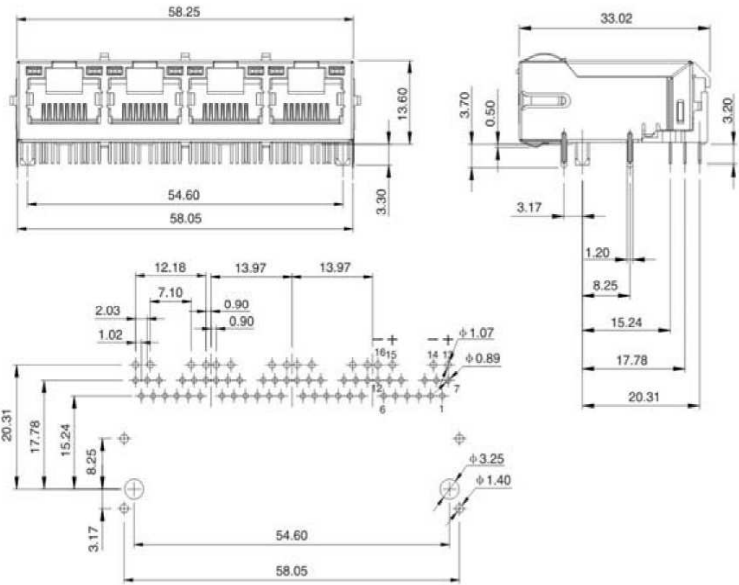
Southern California Office:

15991 Red Hill Avenue, Suite #102,
Tustin, CA 92780 USA
Tel:+1-714-460-0718 Fax:+1-714-460-0728

<http://www.palnova.com>

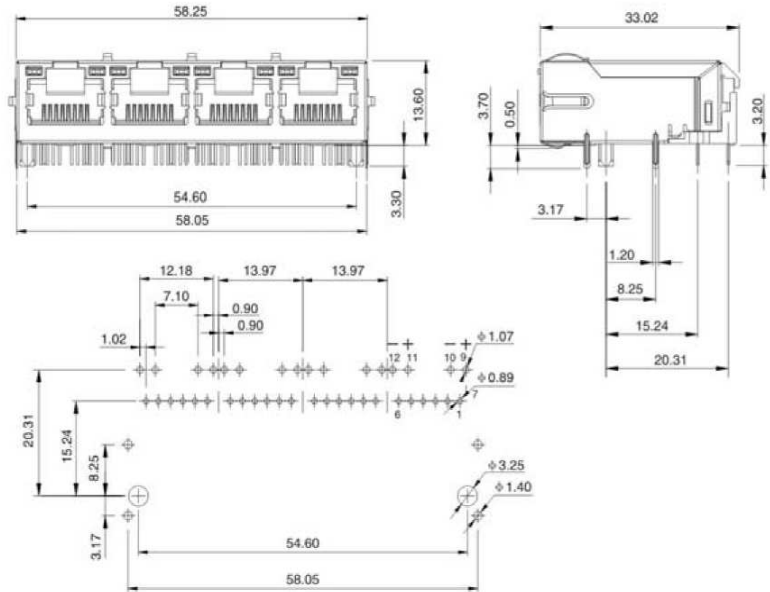
Northern California Office:

500 Yosemite Drive,
Milpitas, CA 95035 USA
Tel:+1-408-855-8866 Fax:+1-408-855-8868



RECOMMENDED P.C.B LAYOUT TOP VIEW
(COMPONENT SIDE TOLERANCE ± 0.05)

PGA4Txxx-x/x



RECOMMENDED P.C.B LAYOUT TOP VIEW
(COMPONENT SIDE TOLERANCE ± 0.05)

PGU4Txxx-x/x

Southern California Office:

15991 Red Hill Avenue, Suite #102,
Tustin, CA 92780 USA
Tel:+1-714-460-0718 Fax:+1-714-460-0728

<http://www.palnova.com>

Northern California Office:

500 Yosemite Drive,
Milpitas, CA 95035 USA
Tel:+1-408-855-8866 Fax:+1-408-855-8868

● RJ45 + USB Series



Complies with requirement of IEEE 802.3u/802.3ab standards.

RJ45 connector with 10/100/1000 BASE-TX magnetic.

Design for 10/100 /1000BASE transmission over UTP-5 cable.

Complies with ROHS requirements.

With/Out LEDS

With/Out EMI Fingers

● Electrical Specifications@25 °C --- Operating Temperature 0 °C to +70 °C

	Turns Ratio		Insertion Loss (dB Max)		Return Loss (dB Min)			Cross talk (dB Min)			CMR (dB Min)			HI-POT (Vrms)
	TX	RX	0.3-100		1-30	30-60	60-80	0.3-30	30-60	60-100	1-30	30-60	60-100	
			MHz		MHz	MHz	MHz	MHz	MHz	MHz	MHz	MHz		
			100 base	1000 base										
PULU1Sxxx-x/x	1CT:1	1CT:1	-1.1	-1.0	-16	-13	-10	-40	-35	-30	-30	-25	-20	1500
PULA1Sxxx-x/x	1CT:1	1CT:1	-1.1	-1.0	-16	-13	-10	-40	-35	-30	-30	-25	-20	1500
P2ULCA1Sxxx-x/x	1CT:1	1CT:1	-1.1	-1.0	-16	-13	-10	-40	-35	-30	-30	-25	-20	1500
P2ULCU1Sxxx-x/x	1CT:1	1CT:1	-1.1	-1.0	-16	-13	-10	-40	-35	-30	-30	-25	-20	1500
P2ULBA1Sxxx-x/x	1CT:1	1CT:1	-1.1	-1.0	-16	-13	-10	-40	-35	-30	-30	-25	-20	1500
P2ULBU1Sxxx-x/x	1CT:1	1CT:1	-1.1	-1.0	-16	-13	-10	-40	-35	-30	-30	-25	-20	1500
P2ULA1Sxxx-x/x	1CT:1	1CT:1	-1.1	-1.0	-16	-13	-10	-40	-35	-30	-30	-25	-20	1500
P2ULU1Sxxx-x/x	1CT:1	1CT:1	-1.1	-1.0	-16	-13	-10	-40	-35	-30	-30	-25	-20	1500

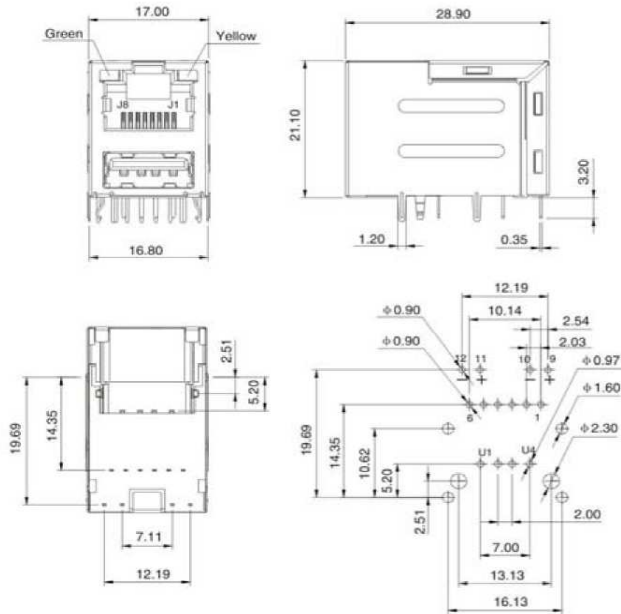
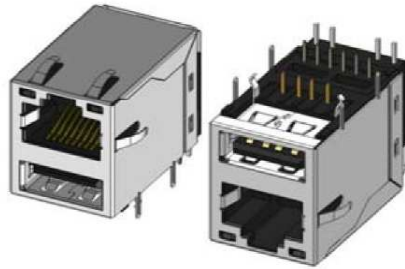
Southern California Office:

15991 Red Hill Avenue, Suite #102,
Tustin, CA 92780 USA
Tel:+1-714-460-0718 Fax:+1-714-460-0728

<http://www.palnova.com>

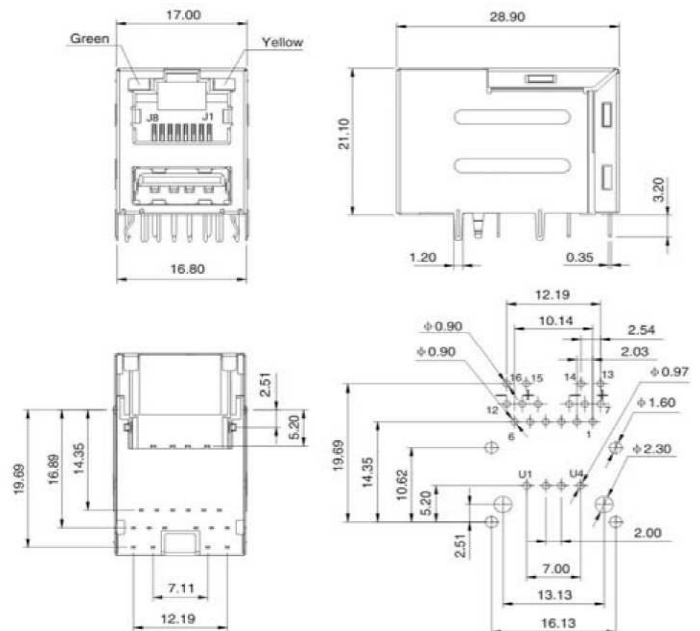
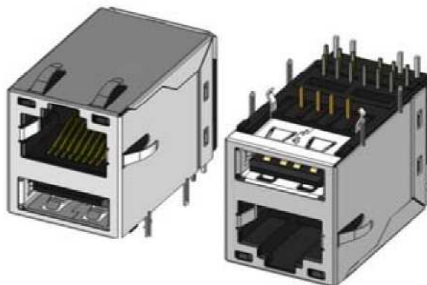
Northern California Office:

500 Yosemite Drive,
Milpitas, CA 95035 USA
Tel:+1-408-855-8866 Fax:+1-408-855-8868



RECOMMENDED P.C.B LAYOUT TOP VIEW
(COMPONENT SIDE TOLERANCE ± 0.05)

PULU1Sxxx-x/x



RECOMMENDED P.C.B LAYOUT TOP VIEW
(COMPONENT SIDE TOLERANCE ± 0.05)

PULA1Sxxx-x/x

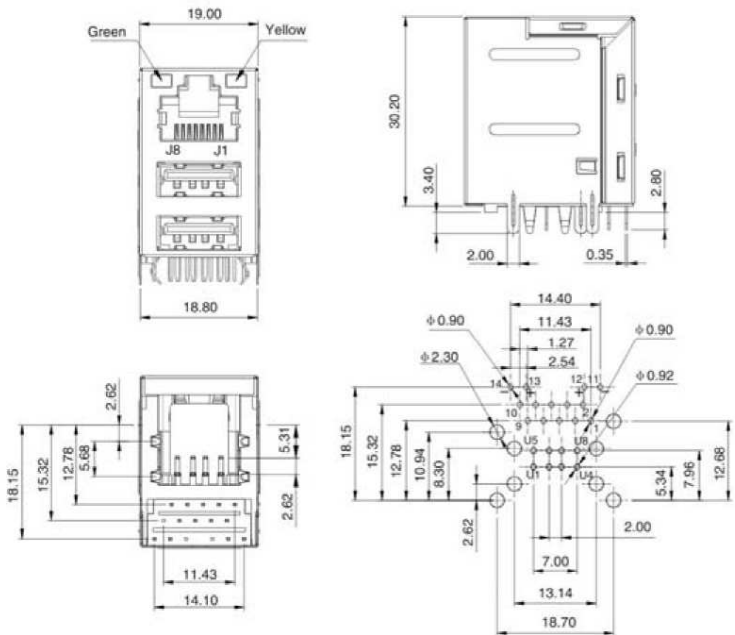
Southern California Office:

15991 Red Hill Avenue, Suite #102,
Tustin, CA 92780 USA
Tel:+1-714-460-0718 Fax:+1-714-460-0728

<http://www.palnova.com>

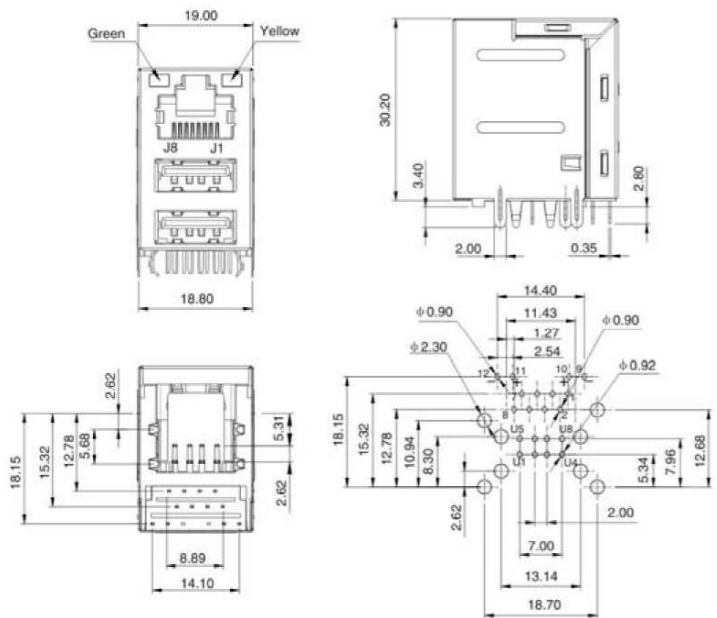
Northern California Office:

500 Yosemite Drive,
Milpitas, CA 95035 USA
Tel:+1-408-855-8866 Fax:+1-408-855-8868



RECOMMENDED P.C.B LAYOUT TOP VIEW
(COMPONENT SIDE TOLERANCE ± 0.05)

P2ULBA1Sxxx-x/x



RECOMMENDED P.C.B LAYOUT TOP VIEW
(COMPONENT SIDE TOLERANCE ± 0.05)

P2ULBU1Sxxx-x/x

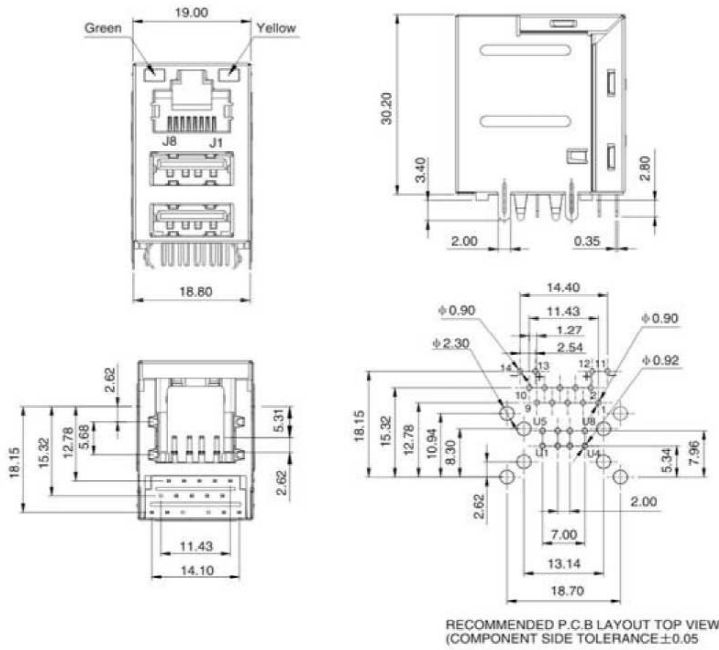
Southern California Office:

15991 Red Hill Avenue, Suite #102,
Tustin, CA 92780 USA
Tel:+1-714-460-0718 Fax:+1-714-460-0728

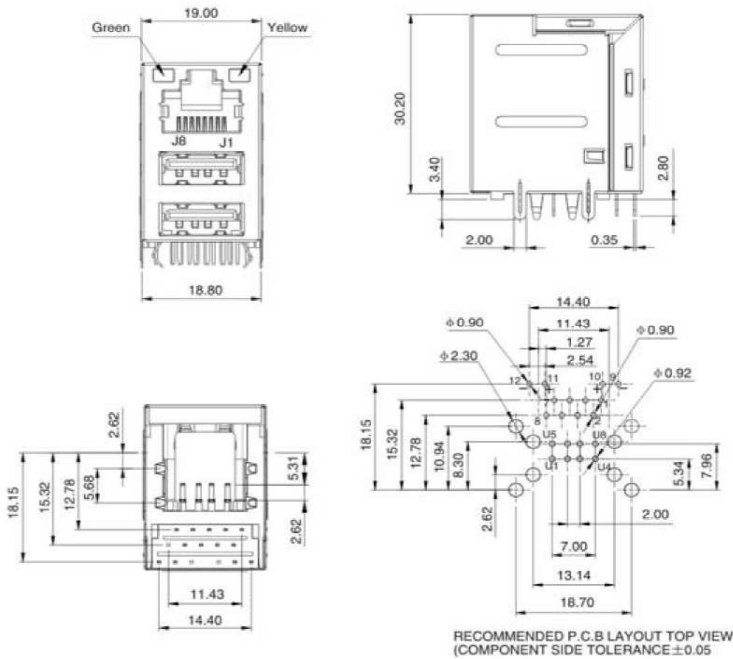
<http://www.palnova.com>

Northern California Office:

500 Yosemite Drive,
Milpitas, CA 95035 USA
Tel:+1-408-855-8866 Fax:+1-408-855-8868



P2ULA1Sxxx-x/x



P2ULU1Sxxx-x/x

Southern California Office:

15991 Red Hill Avenue, Suite #102,
Tustin, CA 92780 USA
Tel:+1-714-460-0718 Fax:+1-714-460-0728

<http://www.palnova.com>

Northern California Office:

500 Yosemite Drive,
Milpitas, CA 95035 USA
Tel:+1-408-855-8866 Fax:+1-408-855-8868

● 2 x N Series



Complies with requirement of IEEE 802.3u/802.3ab standards.

RJ45 connector with 10/100/1000 BASE-TX magnetic.

Design for 10/100 /1000BASE transmission over UTP-5 cable.

Complies with ROHS requirements.

With/Out LEDS

With/Out EMI Fingers

● Electrical Specifications@25 °C --- Operating Temperature 0 °C to +70 °C

	Turns Ratio		Insertion Loss (dB Max)		Return Loss (dB Min)			Cross talk (dB Min)			CMR (dB Min)			HI-POT (Vrms)
	TX	RX	0.3-100		1-30	30-60	60-80	0.3-30	30-60	60-100	1-30	30-60	60-100	
			MHz	1000 base	MHz	MHz	MHz	MHz	MHz	MHz	MHz	MHz	MHz	
PDA1Txxx-x/x	1CT:1	1CT:1	-1.1	-1.0	-16	-13	-10	-40	-35	-30	-30	-25	-20	1500
PDU1Txxx-x/x	1CT:1	1CT:1	-1.1	-1.0	-16	-13	-10	-40	-35	-30	-30	-25	-20	1500
PDA1Txxx	1CT:1	1CT:1	-1.1	-1.0	-16	-13	-10	-40	-35	-30	-30	-25	-20	1500
PDU1Txxx	1CT:1	1CT:1	-1.1	-1.0	-16	-13	-10	-40	-35	-30	-30	-25	-20	1500
PDA4Txxx	1CT:1	1CT:1	-1.1	-1.0	-16	-13	-10	-40	-35	-30	-30	-25	-20	1500
PDA4Txxx-x/x	1CT:1	1CT:1	-1.1	-1.0	-16	-13	-10	-40	-35	-30	-30	-25	-20	1500
PDU4Txxx	1CT:1	1CT:1	-1.1	-1.0	-16	-13	-10	-40	-35	-30	-30	-25	-20	1500
PDU4Txxx-x/x	1CT:1	1CT:1	-1.1	-1.0	-16	-13	-10	-40	-35	-30	-30	-25	-20	1500
PDA6Txxx	1CT:1	1CT:1	-1.1	-1.0	-16	-13	-10	-40	-35	-30	-30	-25	-20	1500
PDA6Txxx-x/x	1CT:1	1CT:1	-1.1	-1.0	-16	-13	-10	-40	-35	-30	-30	-25	-20	1500
PDU6Txxx	1CT:1	1CT:1	-1.1	-1.0	-16	-13	-10	-40	-35	-30	-30	-25	-20	1500
PDU6Txxx-x/x	1CT:1	1CT:1	-1.1	-1.0	-16	-13	-10	-40	-35	-30	-30	-25	-20	1500
PDA8Txxx	1CT:1	1CT:1	-1.1	-1.0	-16	-13	-10	-40	-35	-30	-30	-25	-20	1500
PDA8Txxx-x/x	1CT:1	1CT:1	-1.1	-1.0	-16	-13	-10	-40	-35	-30	-30	-25	-20	1500
PDU8Txxx	1CT:1	1CT:1	-1.1	-1.0	-16	-13	-10	-40	-35	-30	-30	-25	-20	1500
PDU8Txxx-x/x	1CT:1	1CT:1	-1.1	-1.0	-16	-13	-10	-40	-35	-30	-30	-25	-20	1500

Southern California Office:

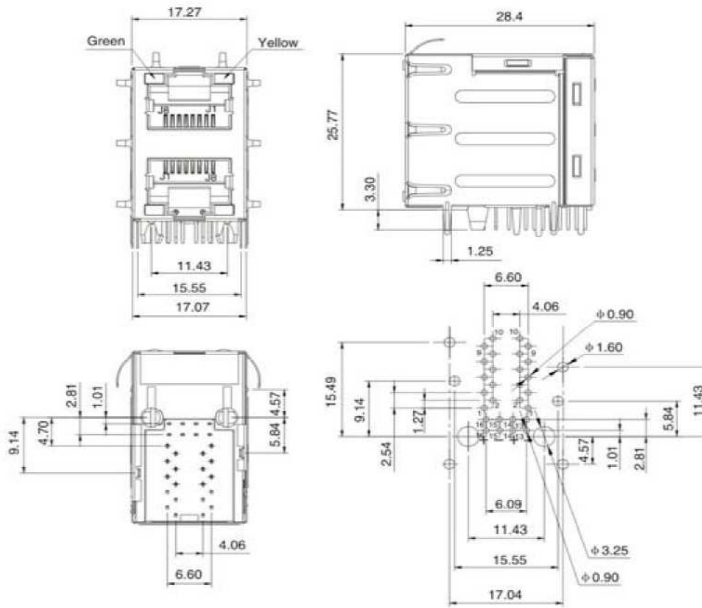
15991 Red Hill Avenue, Suite #102,
Tustin, CA 92780 USA
Tel:+1-714-460-0718 Fax:+1-714-460-0728

<http://www.palnova.com>

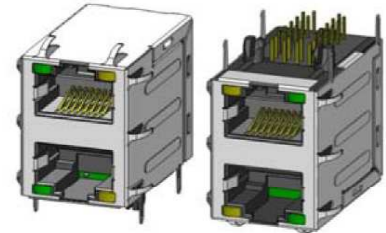
Northern California Office:

500 Yosemite Drive,
Milpitas, CA 95035 USA
Tel:+1-408-855-8866 Fax:+1-408-855-8868

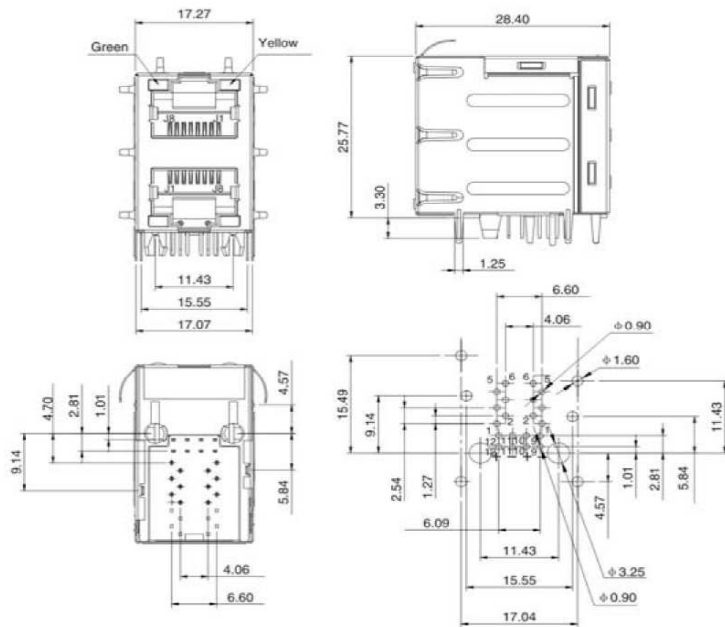
PALNOVA



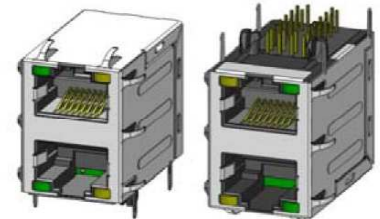
RECOMMENDED P.C.B LAYOUT TOP VIEW
(COMPONENT SIDE TOLERANCE ± 0.05)



PDA1Txxx-x/x



RECOMMENDED P.C.B LAYOUT TOP VIEW
(COMPONENT SIDE TOLERANCE ± 0.05)



PDU1Txxx-x/x

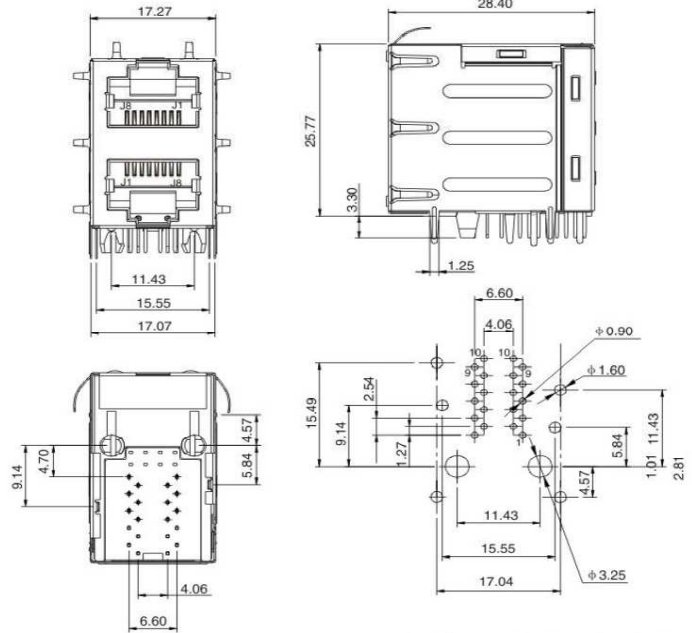
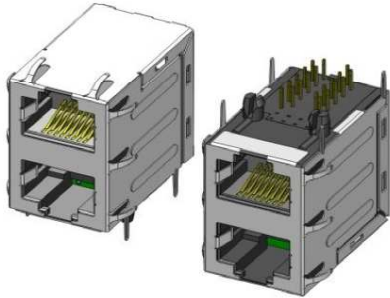
Southern California Office:

15991 Red Hill Avenue, Suite #102,
Tustin, CA 92780 USA
Tel:+1-714-460-0718 Fax:+1-714-460-0728

<http://www.palnova.com>

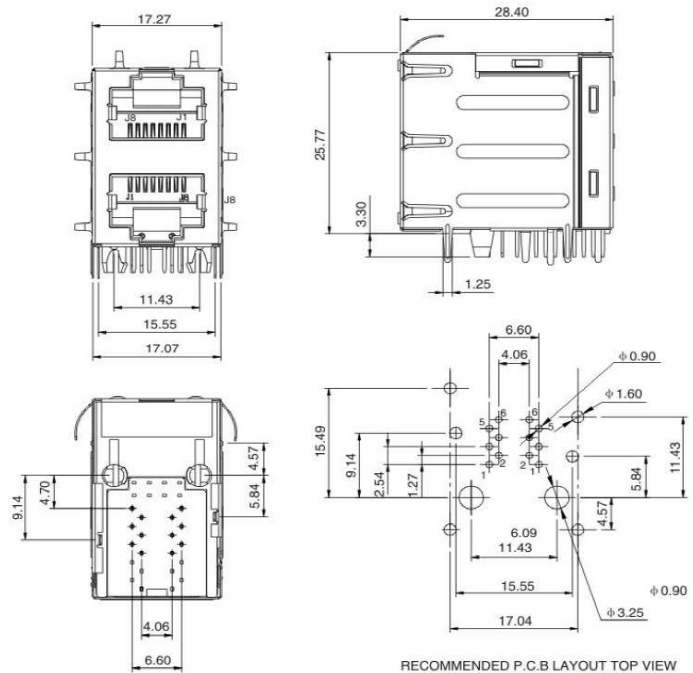
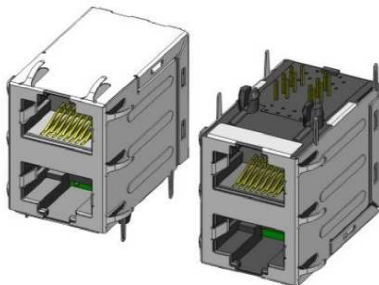
Northern California Office:

500 Yosemite Drive,
Milpitas, CA 95035 USA
Tel:+1-408-855-8866 Fax:+1-408-855-8868



RECOMMENDED P.C.B LAYOUT TOP VIEW
(COMPONENT SIDE TOLERANCE ± 0.05)

PDA1Txxx



RECOMMENDED P.C.B LAYOUT TOP VIEW
(COMPONENT SIDE TOLERANCE ± 0.05)

PDU1Txxx

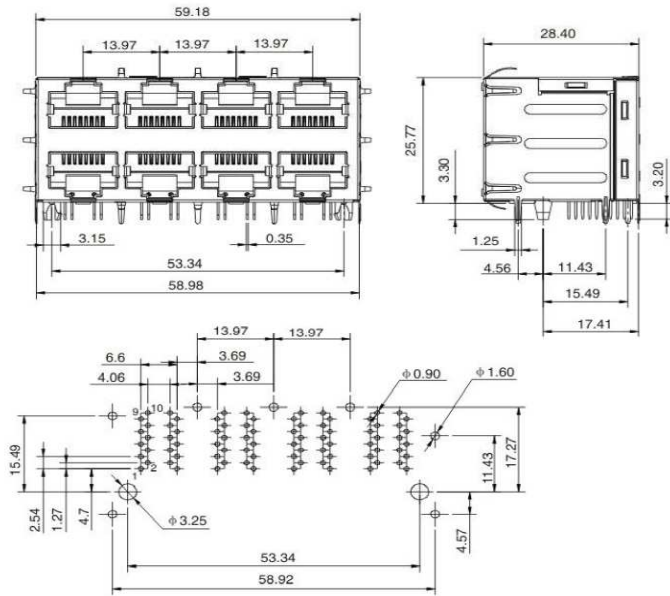
Southern California Office:

15991 Red Hill Avenue, Suite #102,
Tustin, CA 92780 USA
Tel:+1-714-460-0718 Fax:+1-714-460-0728

<http://www.palnova.com>

Northern California Office:

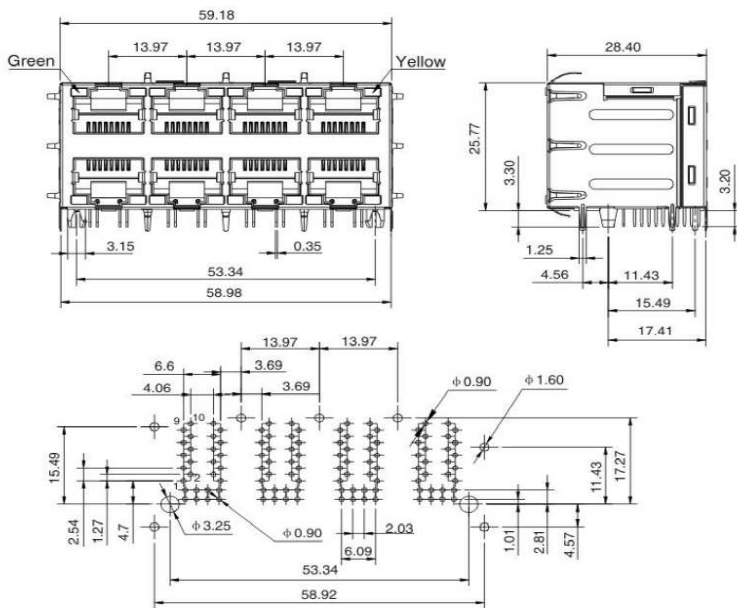
500 Yosemite Drive,
Milpitas, CA 95035 USA
Tel:+1-408-855-8866 Fax:+1-408-855-8868



RECOMMENDED P.C.B LAYOUT TOP VIEW
(COMPONENT SIDE TOLERANCE ± 0.05)



PDA4Txxx



RECOMMENDED P.C.B LAYOUT TOP VIEW
(COMPONENT SIDE TOLERANCE ± 0.05)



PDA4Txxx-x/x

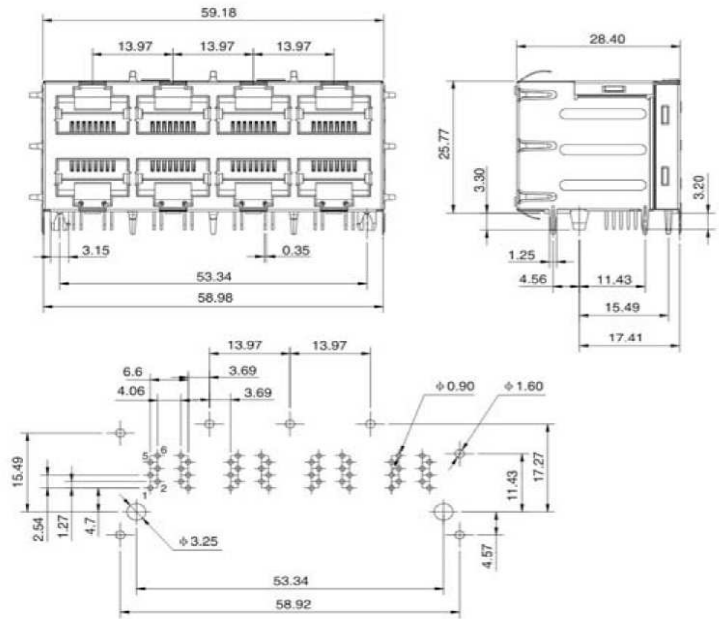
Southern California Office:

15991 Red Hill Avenue, Suite #102,
Tustin, CA 92780 USA
Tel:+1-714-460-0718 Fax:+1-714-460-0728

<http://www.palnova.com>

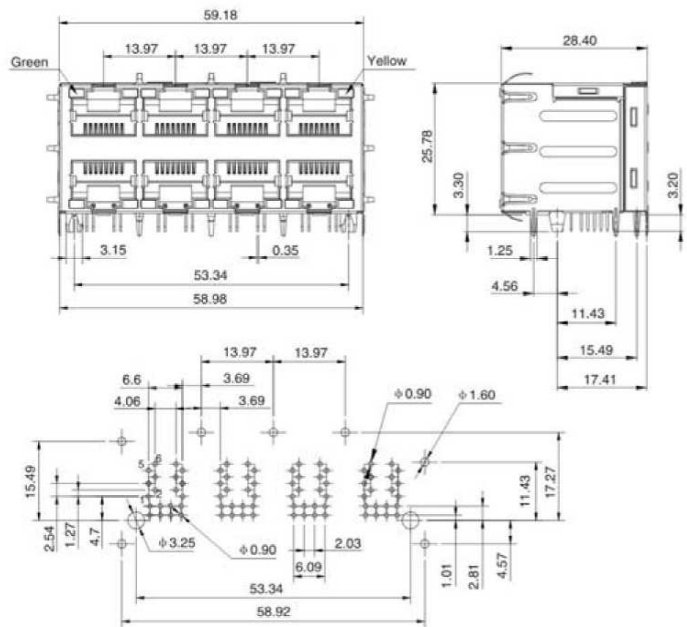
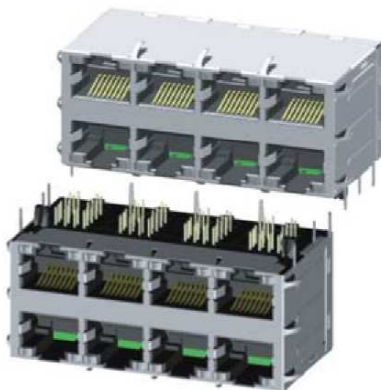
Northern California Office:

500 Yosemite Drive,
Milpitas, CA 95035 USA
Tel:+1-408-855-8866 Fax:+1-408-855-8868



RECOMMENDED P.C.B LAYOUT TOP VIEW
(COMPONENT SIDE TOLERANCE ± 0.05)

PDU4Txxx



RECOMMENDED P.C.B LAYOUT TOP VIEW
(COMPONENT SIDE TOLERANCE ± 0.05)

PDU4Txxx-x/x

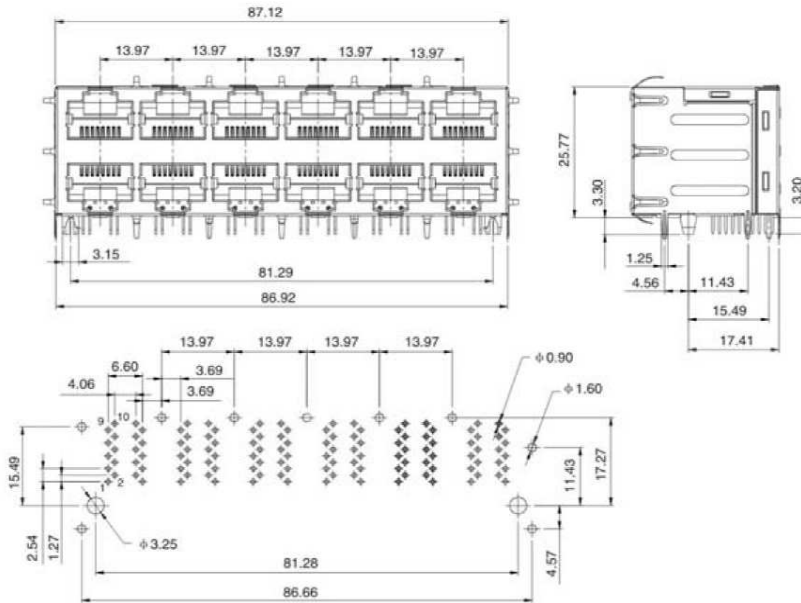
Southern California Office:

15991 Red Hill Avenue, Suite #102,
Tustin, CA 92780 USA
Tel:+1-714-460-0718 Fax:+1-714-460-0728

<http://www.palnova.com>

Northern California Office:

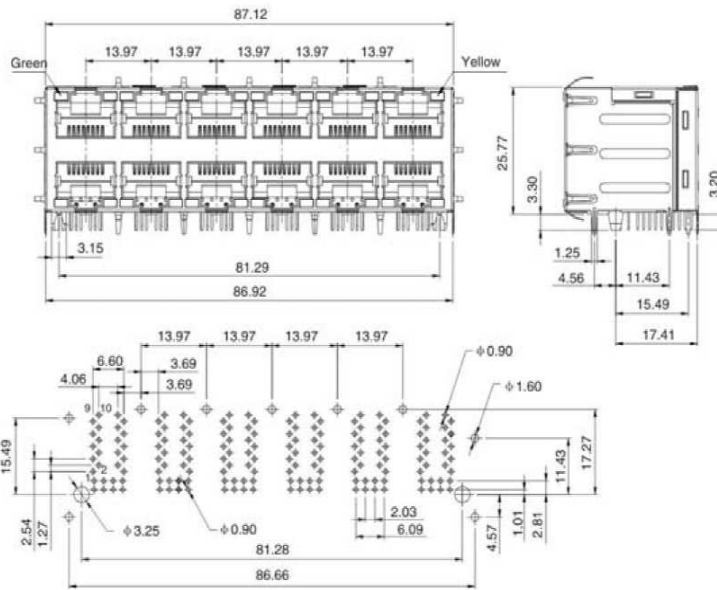
500 Yosemite Drive,
Milpitas, CA 95035 USA
Tel:+1-408-855-8866 Fax:+1-408-855-8868



RECOMMENDED P.C.B LAYOUT TOP VIEW
(COMPONENT SIDE TOLERANCE ± 0.05)



PDA6Txxx



RECOMMENDED P.C.B LAYOUT TOP VIEW
(COMPONENT SIDE TOLERANCE ± 0.05)



PDA6Txxx-x/x

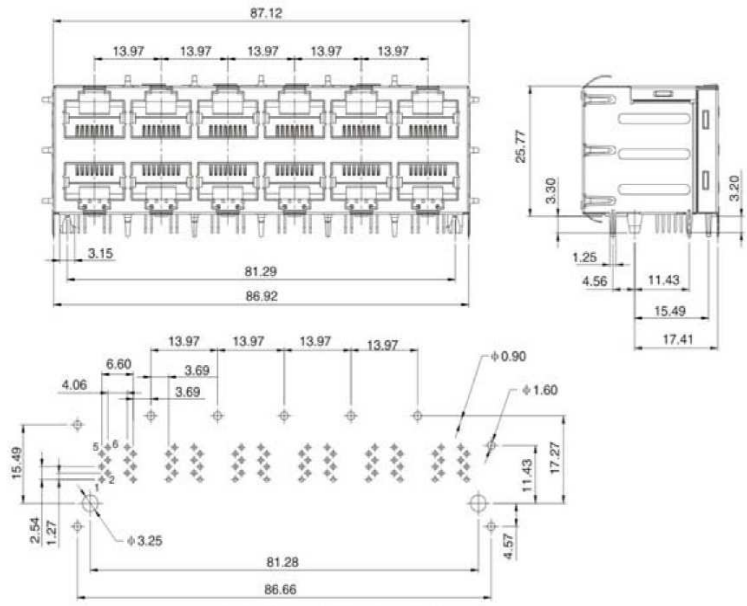
Southern California Office:

15991 Red Hill Avenue, Suite #102,
Tustin, CA 92780 USA
Tel:+1-714-460-0718 Fax:+1-714-460-0728

<http://www.palnova.com>

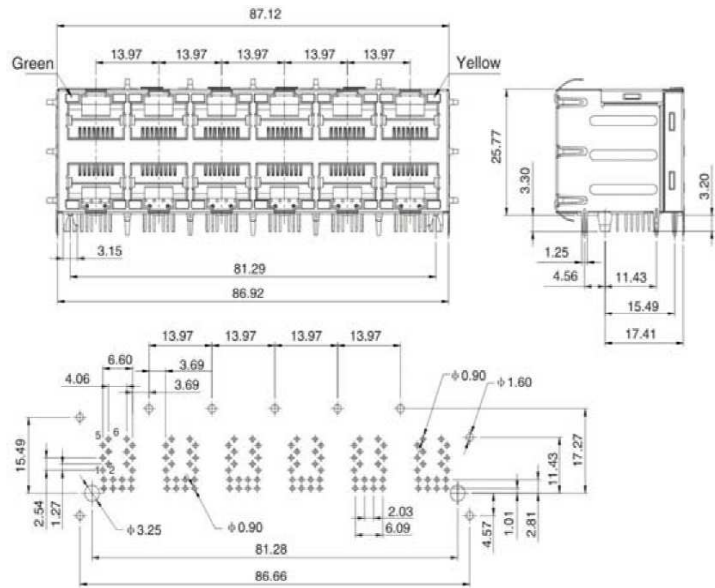
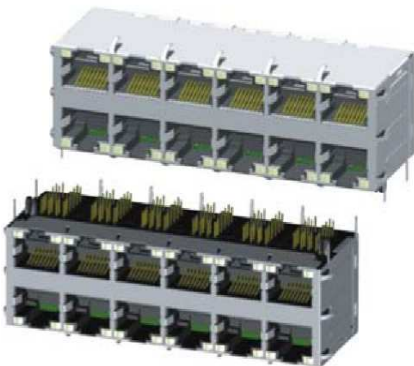
Northern California Office:

500 Yosemite Drive,
Milpitas, CA 95035 USA
Tel:+1-408-855-8866 Fax:+1-408-855-8868



RECOMMENDED P.C.B LAYOUT TOP VIEW
(COMPONENT SIDE TOLERANCE ± 0.05)

PDU6Txxx



RECOMMENDED P.C.B LAYOUT TOP VIEW
(COMPONENT SIDE TOLERANCE ± 0.05)

PDU6Txxx-x/x

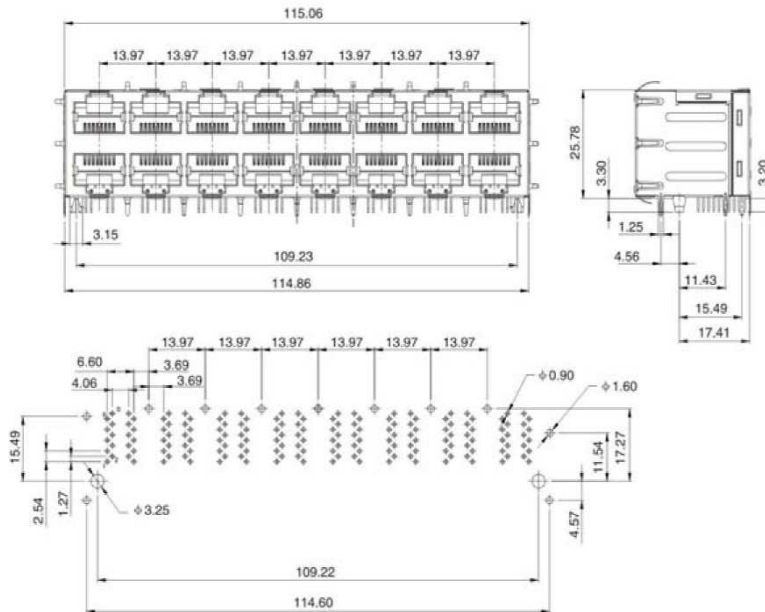
Southern California Office:

15991 Red Hill Avenue, Suite #102,
Tustin, CA 92780 USA
Tel:+1-714-460-0718 Fax:+1-714-460-0728

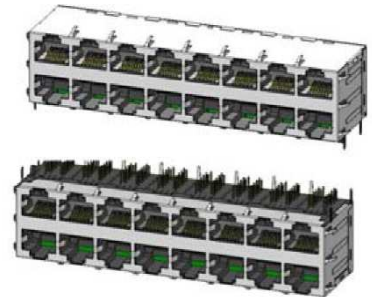
<http://www.palnova.com>

Northern California Office:

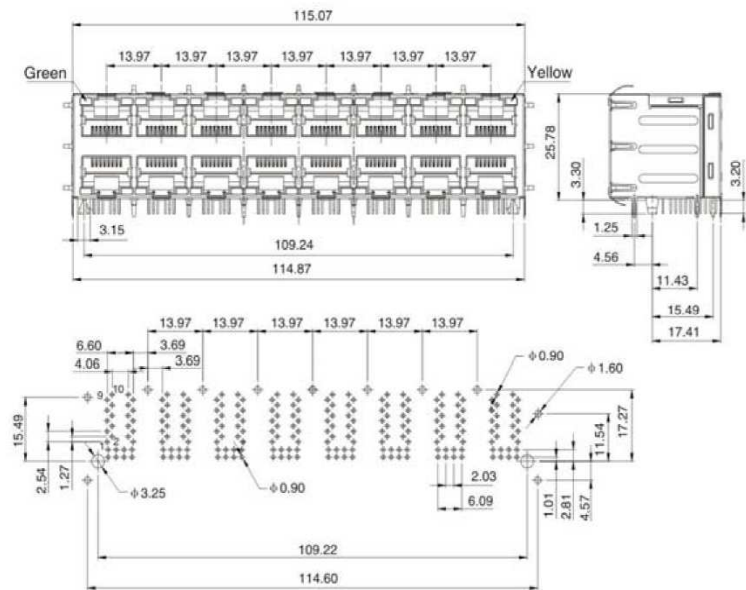
500 Yosemite Drive,
Milpitas, CA 95035 USA
Tel:+1-408-855-8866 Fax:+1-408-855-8868



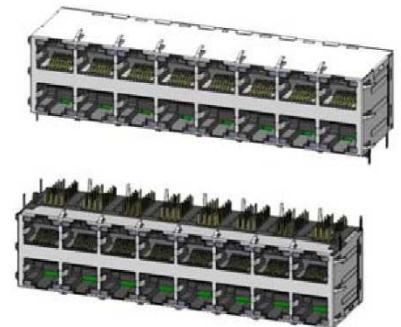
RECOMMENDED P.C.B LAYOUT TOP VIEW
(COMPONENT SIDE TOLERANCE ± 0.05)



PDA8Txxx



RECOMMENDED P.C.B LAYOUT TOP VIEW
(COMPONENT SIDE TOLERANCE ± 0.05)



PDA8Txxx-x/x

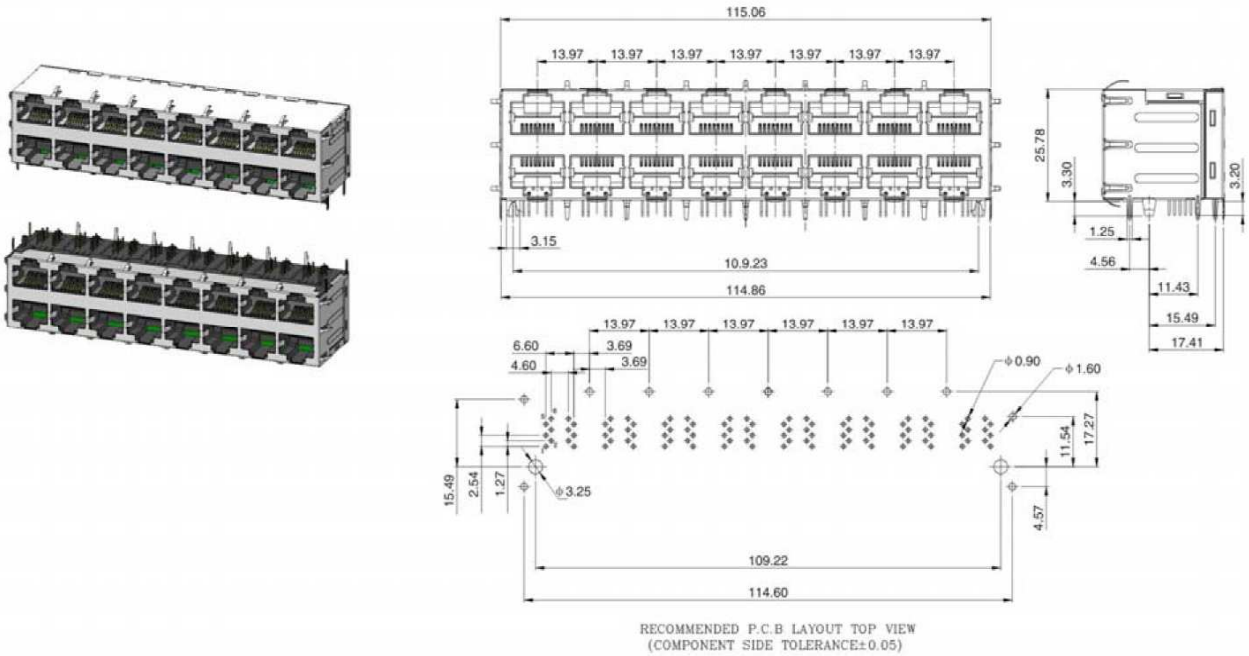
Southern California Office:

15991 Red Hill Avenue, Suite #102,
Tustin, CA 92780 USA
Tel:+1-714-460-0718 Fax:+1-714-460-0728

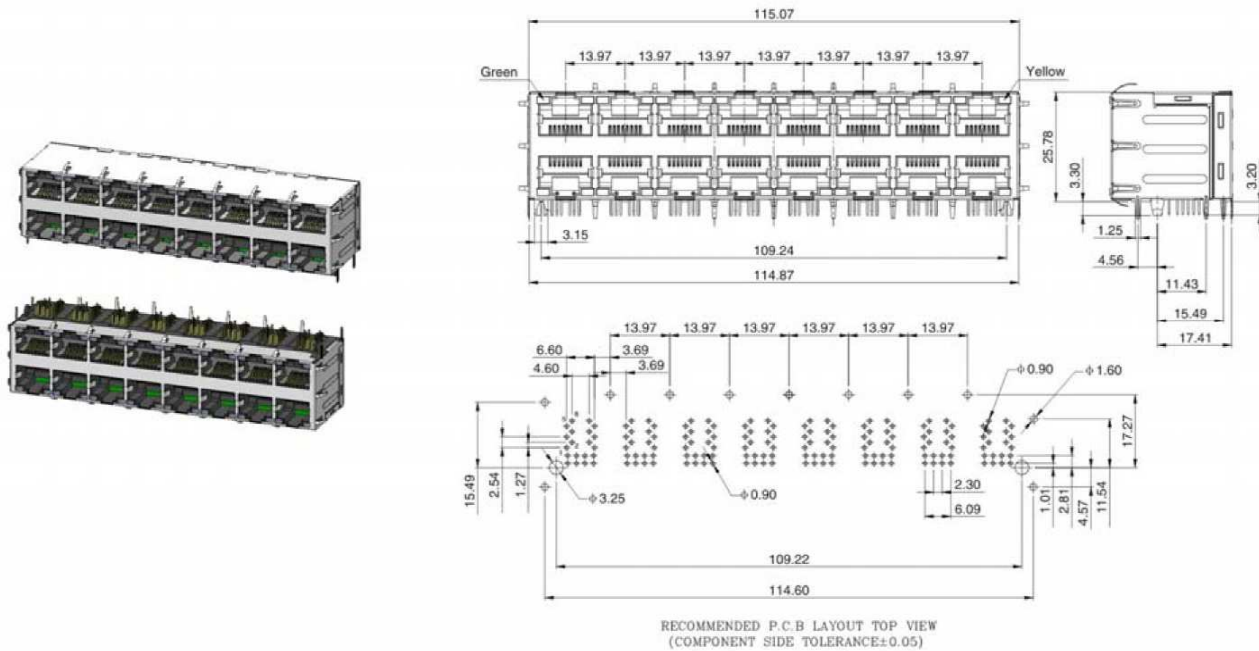
<http://www.palnova.com>

Northern California Office:

500 Yosemite Drive,
Milpitas, CA 95035 USA
Tel:+1-408-855-8866 Fax:+1-408-855-8868



PDU8Txxx



PDU8Txxx-x/x

Southern California Office:

15991 Red Hill Avenue, Suite #102,
Tustin, CA 92780 USA
Tel:+1-714-460-0718 Fax:+1-714-460-0728

<http://www.palnova.com>

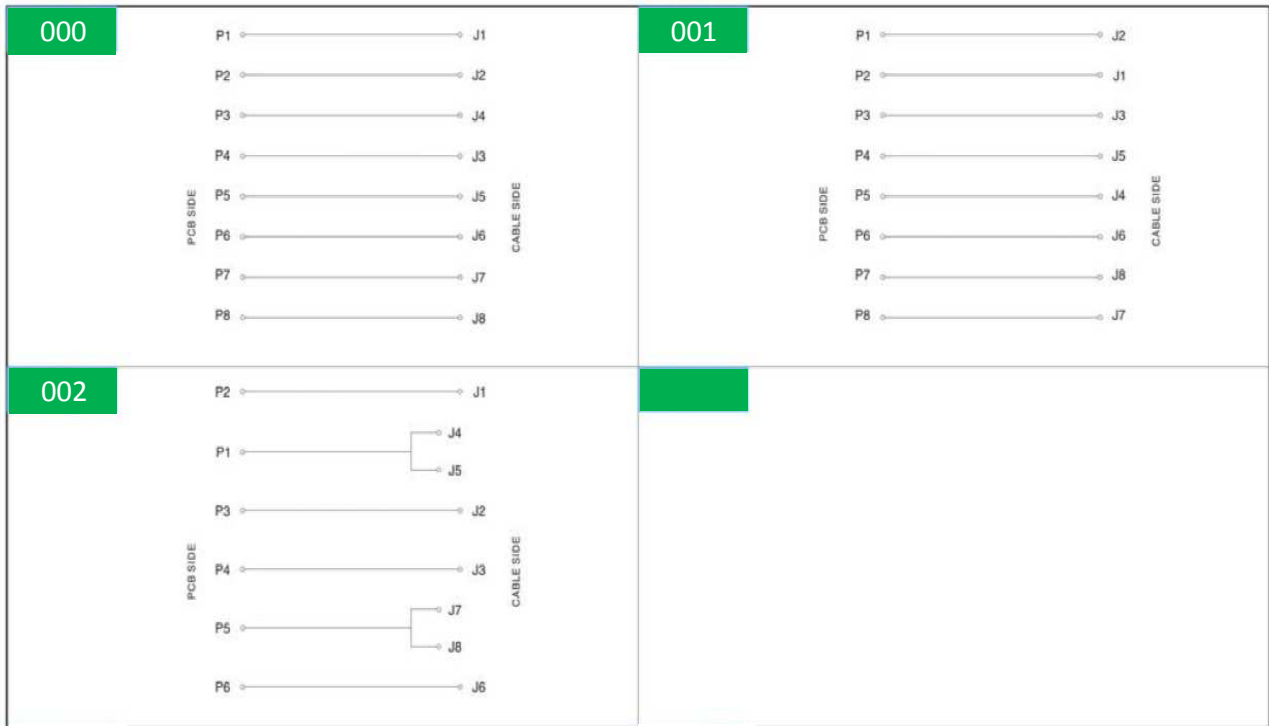
Northern California Office:

500 Yosemite Drive,
Milpitas, CA 95035 USA
Tel:+1-408-855-8866 Fax:+1-408-855-8868

LED Electrical Standard

Emitting Color	Ap(NM)	Vf@If=20mA	Ir@Vr=5V
Green	565	1.7~2.6V	10μA max
Yellow	585	1.7~2.6V	10μA max

Schematic



Southern California Office:

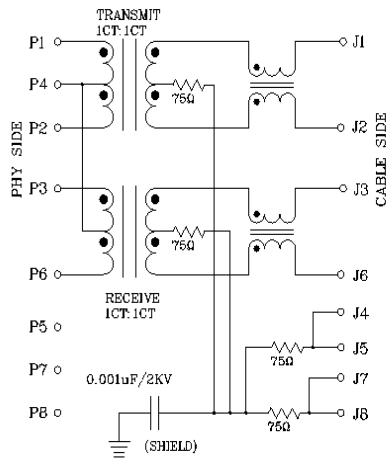
15991 Red Hill Avenue, Suite #102,
Tustin, CA 92780 USA
Tel:+1-714-460-0718 Fax:+1-714-460-0728

<http://www.palnova.com>

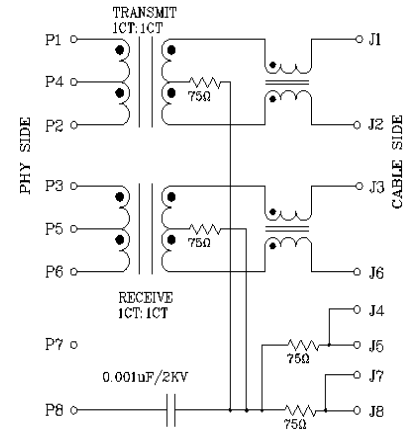
Northern California Office:

500 Yosemite Drive,
Milpitas, CA 95035 USA
Tel:+1-408-855-8866 Fax:+1-408-855-8868

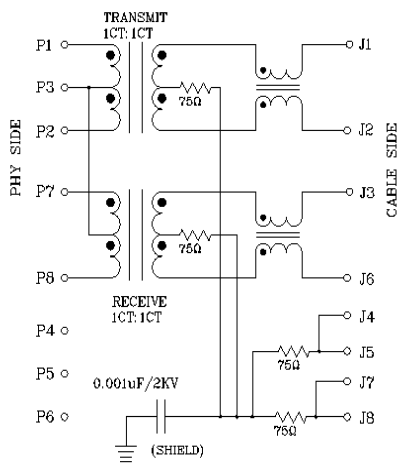
401



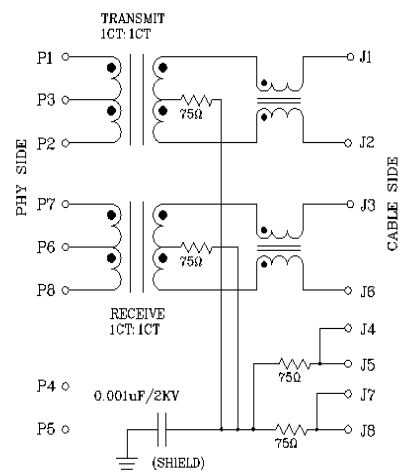
402



403



404



Southern California Office:

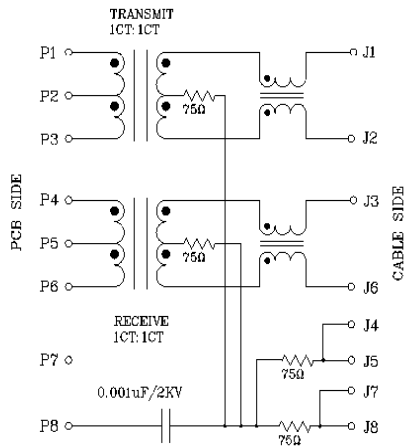
15991 Red Hill Avenue, Suite #102,
Tustin, CA 92780 USA
Tel:+1-714-460-0718 Fax:+1-714-460-0728

<http://www.palnova.com>

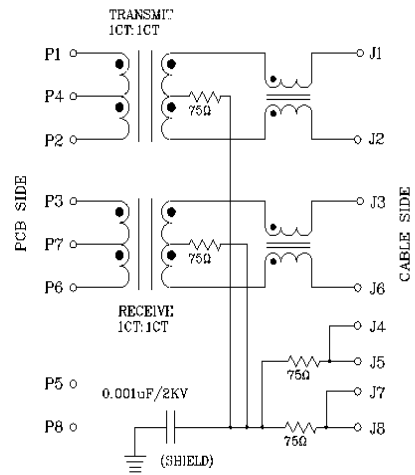
Northern California Office:

500 Yosemite Drive,
Milpitas, CA 95035 USA
Tel:+1-408-855-8866 Fax:+1-408-855-8868

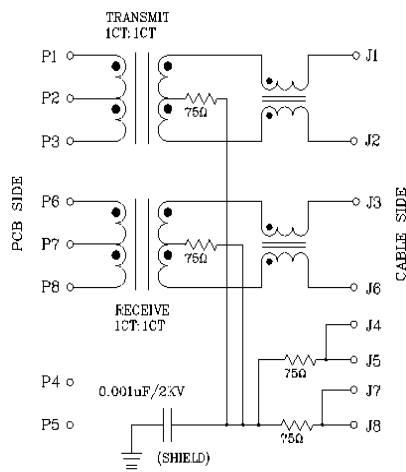
405



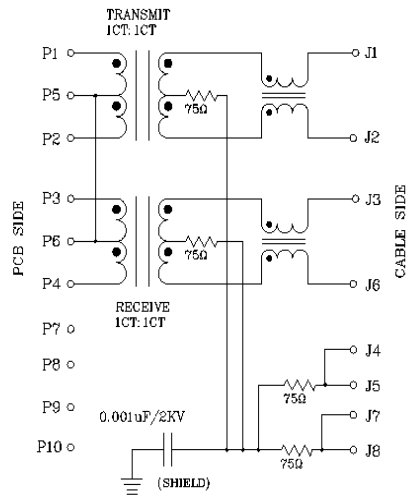
407



408



409



Southern California Office:

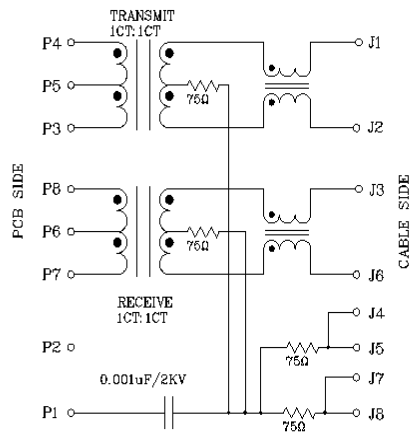
15991 Red Hill Avenue, Suite #102,
Tustin, CA 92780 USA
Tel:+1-714-460-0718 Fax:+1-714-460-0728

<http://www.palnova.com>

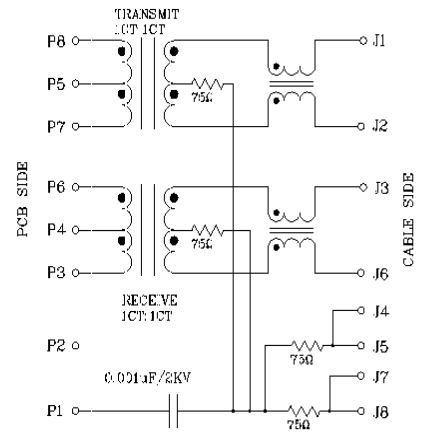
Northern California Office:

500 Yosemite Drive,
Milpitas, CA 95035 USA
Tel:+1-408-855-8866 Fax:+1-408-855-8868

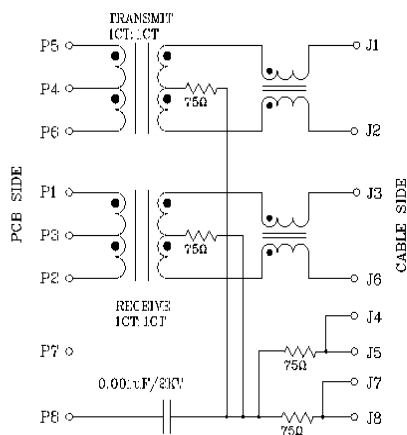
410



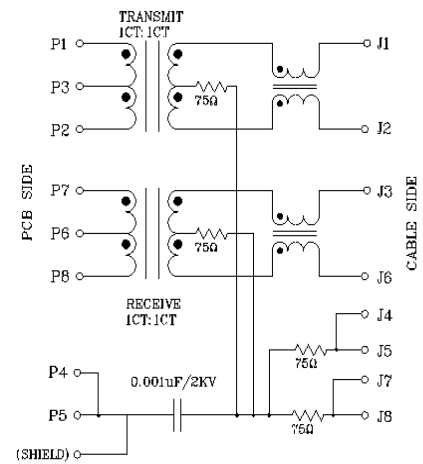
411



412



413



Southern California Office:

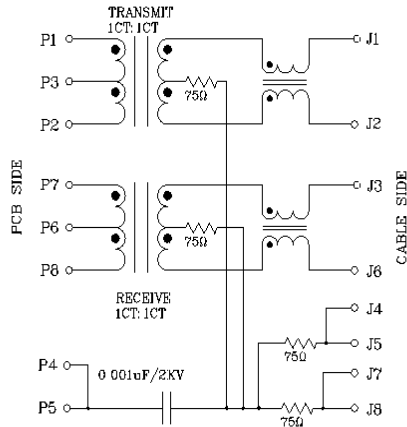
15991 Red Hill Avenue, Suite #102,
Tustin, CA 92780 USA
Tel:+1-714-460-0718 Fax:+1-714-460-0728

<http://www.palnova.com>

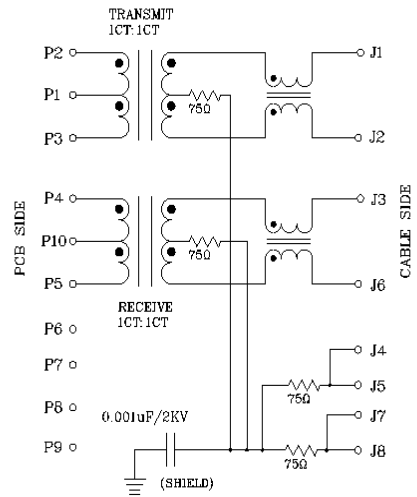
Northern California Office:

500 Yosemite Drive,
Milpitas, CA 95035 USA
Tel:+1-408-855-8866 Fax:+1-408-855-8868

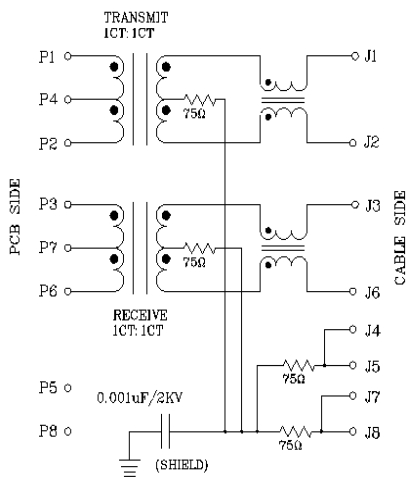
415



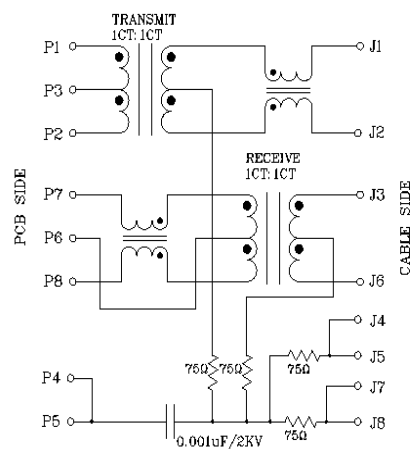
416



417



418



Southern California Office:

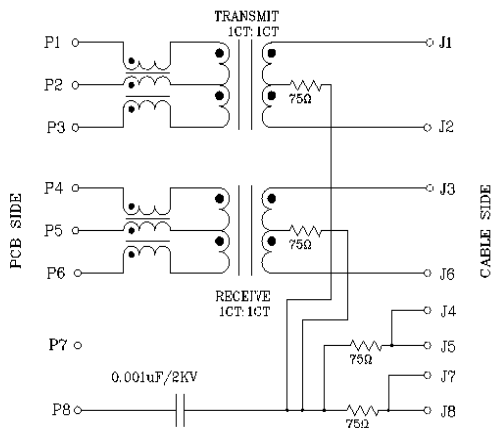
15991 Red Hill Avenue, Suite #102,
Tustin, CA 92780 USA
Tel:+1-714-460-0718 Fax:+1-714-460-0728

<http://www.palnova.com>

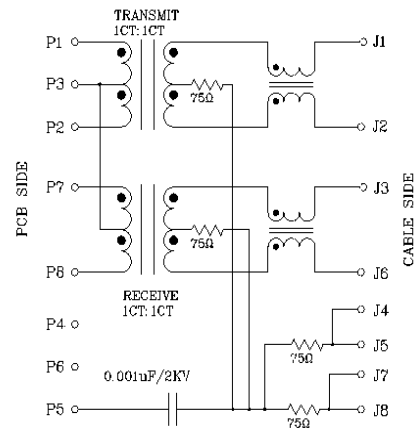
Northern California Office:

500 Yosemite Drive,
Milpitas, CA 95035 USA
Tel:+1-408-855-8866 Fax:+1-408-855-8868

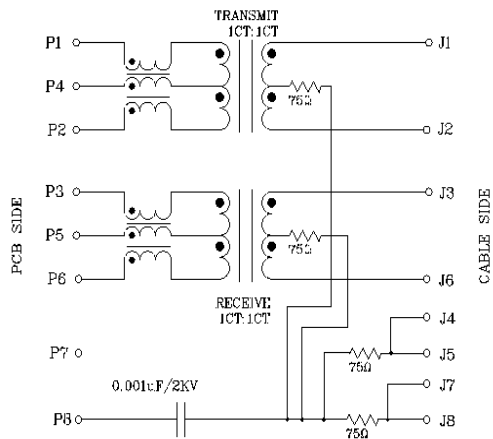
419



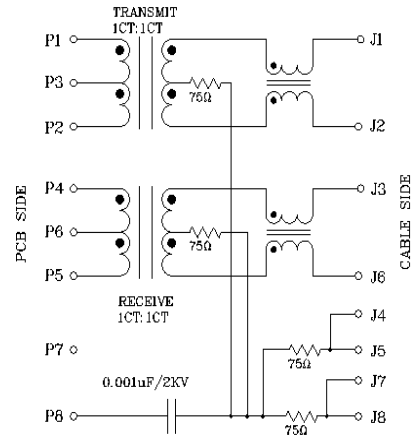
420



421



422



Southern California Office:

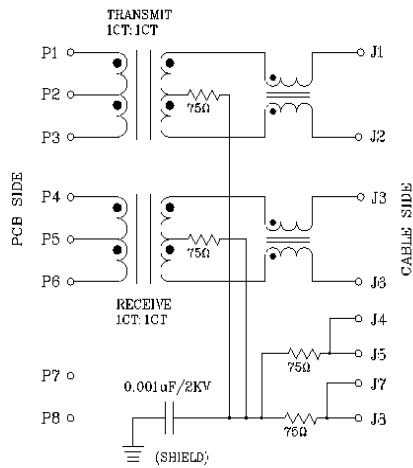
15991 Red Hill Avenue, Suite #102,
Tustin, CA 92780 USA
Tel:+1-714-460-0718 Fax:+1-714-460-0728

<http://www.palnova.com>

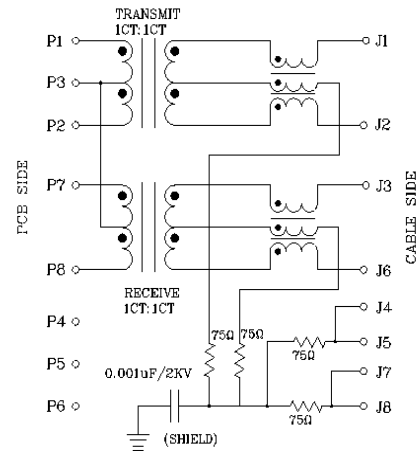
Northern California Office:

500 Yosemite Drive,
Milpitas, CA 95035 USA
Tel:+1-408-855-8866 Fax:+1-408-855-8868

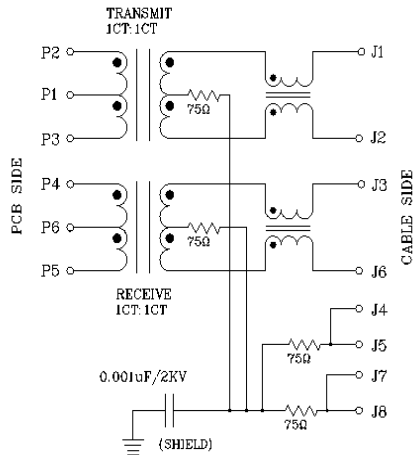
423



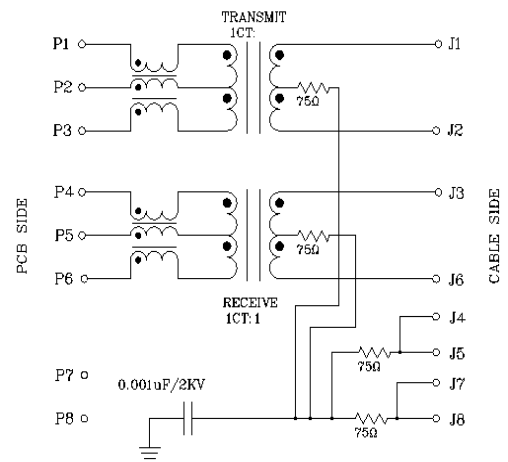
424



435



441



Southern California Office:

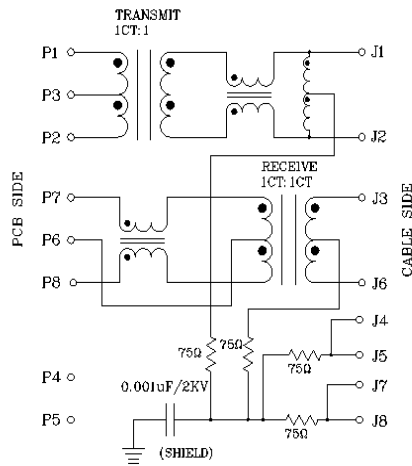
15991 Red Hill Avenue, Suite #102,
Tustin, CA 92780 USA
Tel:+1-714-460-0718 Fax:+1-714-460-0728

<http://www.palnova.com>

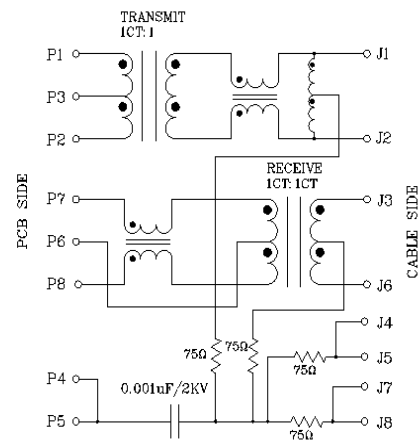
Northern California Office:

500 Yosemite Drive,
Milpitas, CA 95035 USA
Tel:+1-408-855-8866 Fax:+1-408-855-8868

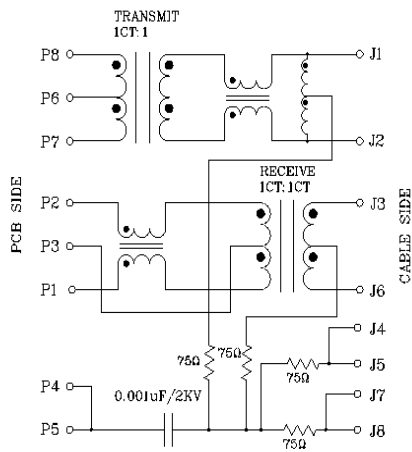
501



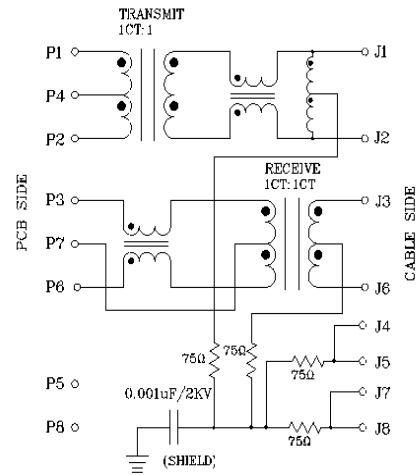
502



503



504



Southern California Office:

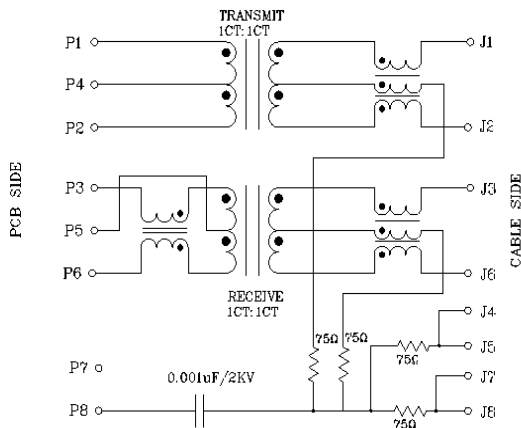
15991 Red Hill Avenue, Suite #102,
Tustin, CA 92780 USA
Tel:+1-714-460-0718 Fax:+1-714-460-0728

<http://www.palnova.com>

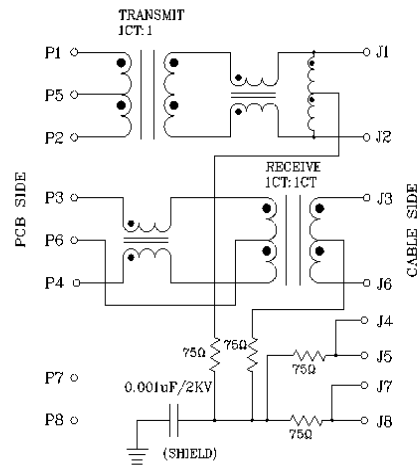
Northern California Office:

500 Yosemite Drive,
Milpitas, CA 95035 USA
Tel:+1-408-855-8866 Fax:+1-408-855-8868

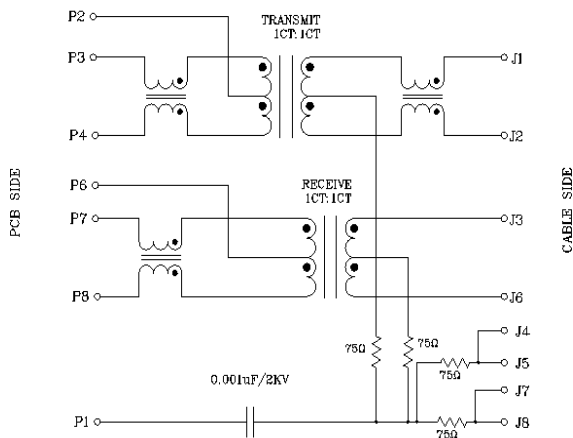
508



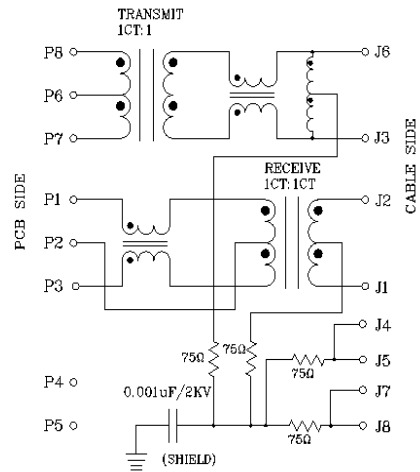
509



510



511



Southern California Office:

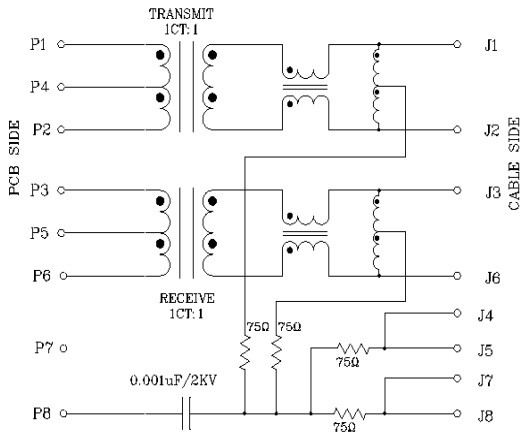
15991 Red Hill Avenue, Suite #102,
Tustin, CA 92780 USA
Tel:+1-714-460-0718 Fax:+1-714-460-0728

<http://www.palnova.com>

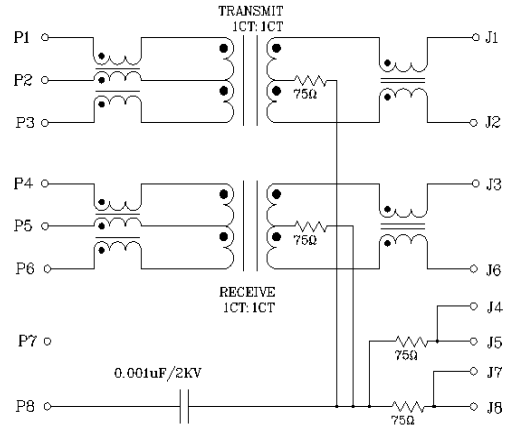
Northern California Office:

500 Yosemite Drive,
Milpitas, CA 95035 USA
Tel:+1-408-855-8866 Fax:+1-408-855-8868

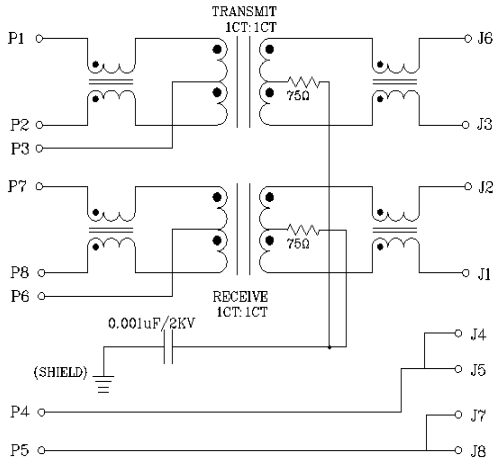
601



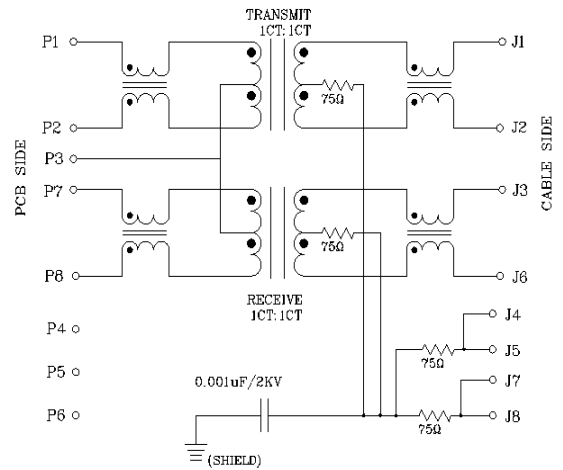
603



604



605



Southern California Office:

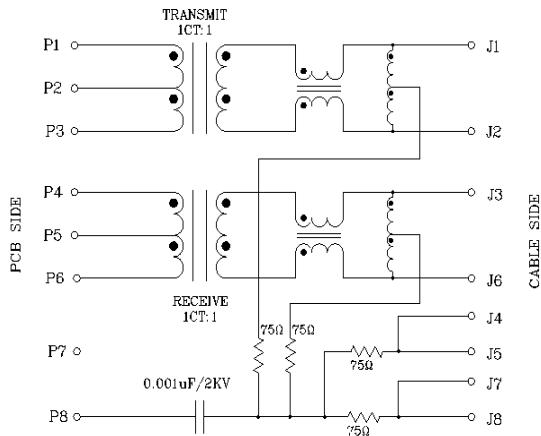
15991 Red Hill Avenue, Suite #102,
Tustin, CA 92780 USA
Tel:+1-714-460-0718 Fax:+1-714-460-0728

<http://www.palnova.com>

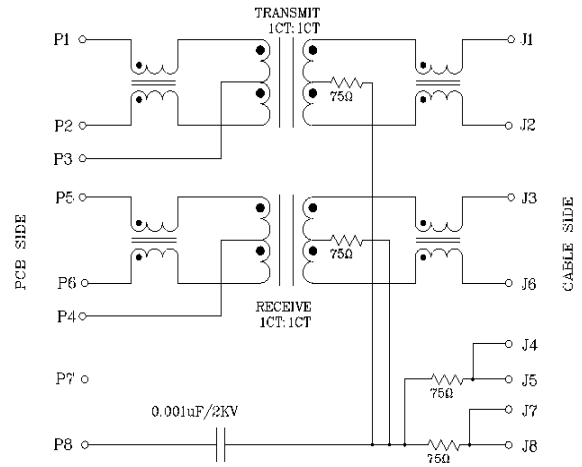
Northern California Office:

500 Yosemite Drive,
Milpitas, CA 95035 USA
Tel:+1-408-855-8866 Fax:+1-408-855-8868

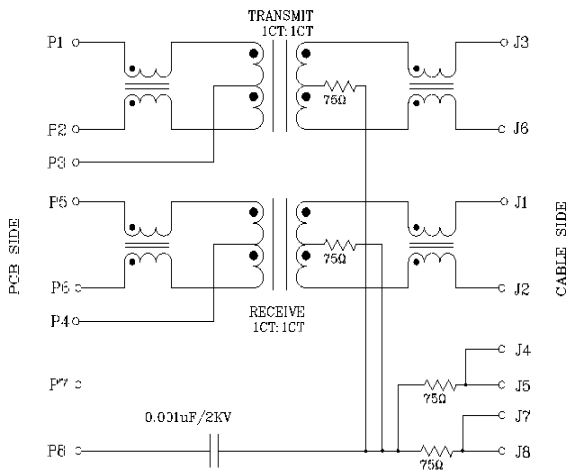
606



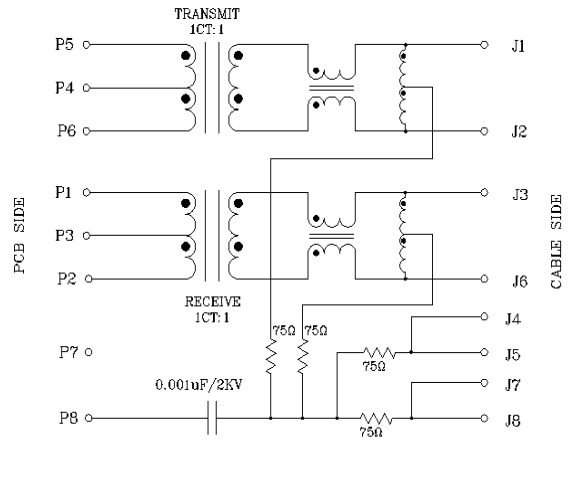
607



608



609



Southern California Office:

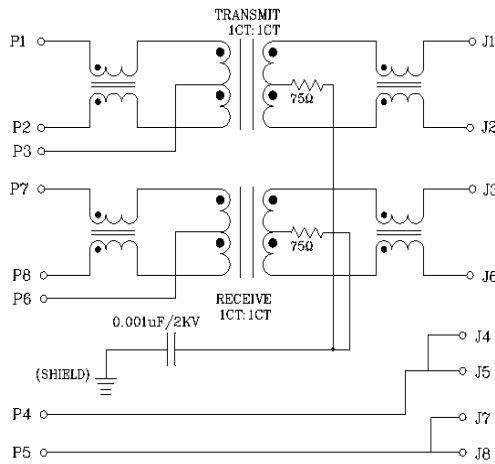
15991 Red Hill Avenue, Suite #102,
Tustin, CA 92780 USA
Tel:+1-714-460-0718 Fax:+1-714-460-0728

<http://www.palnova.com>

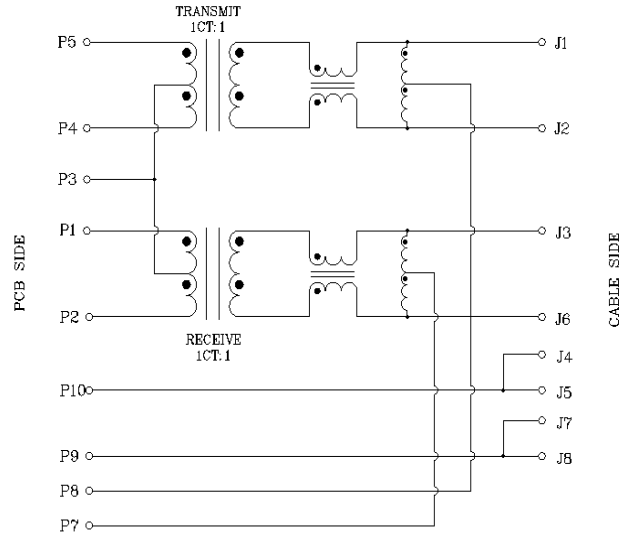
Northern California Office:

500 Yosemite Drive,
Milpitas, CA 95035 USA
Tel:+1-408-855-8866 Fax:+1-408-855-8868

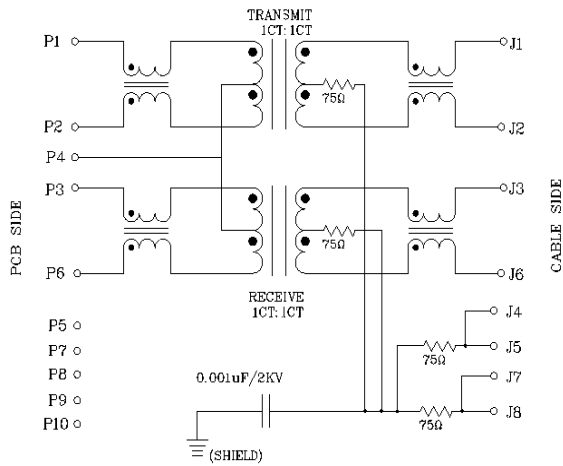
610



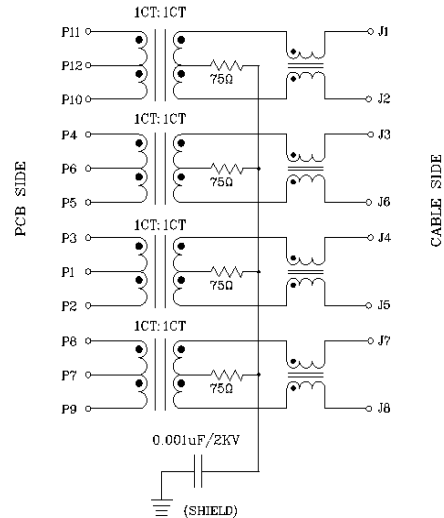
611



612



801



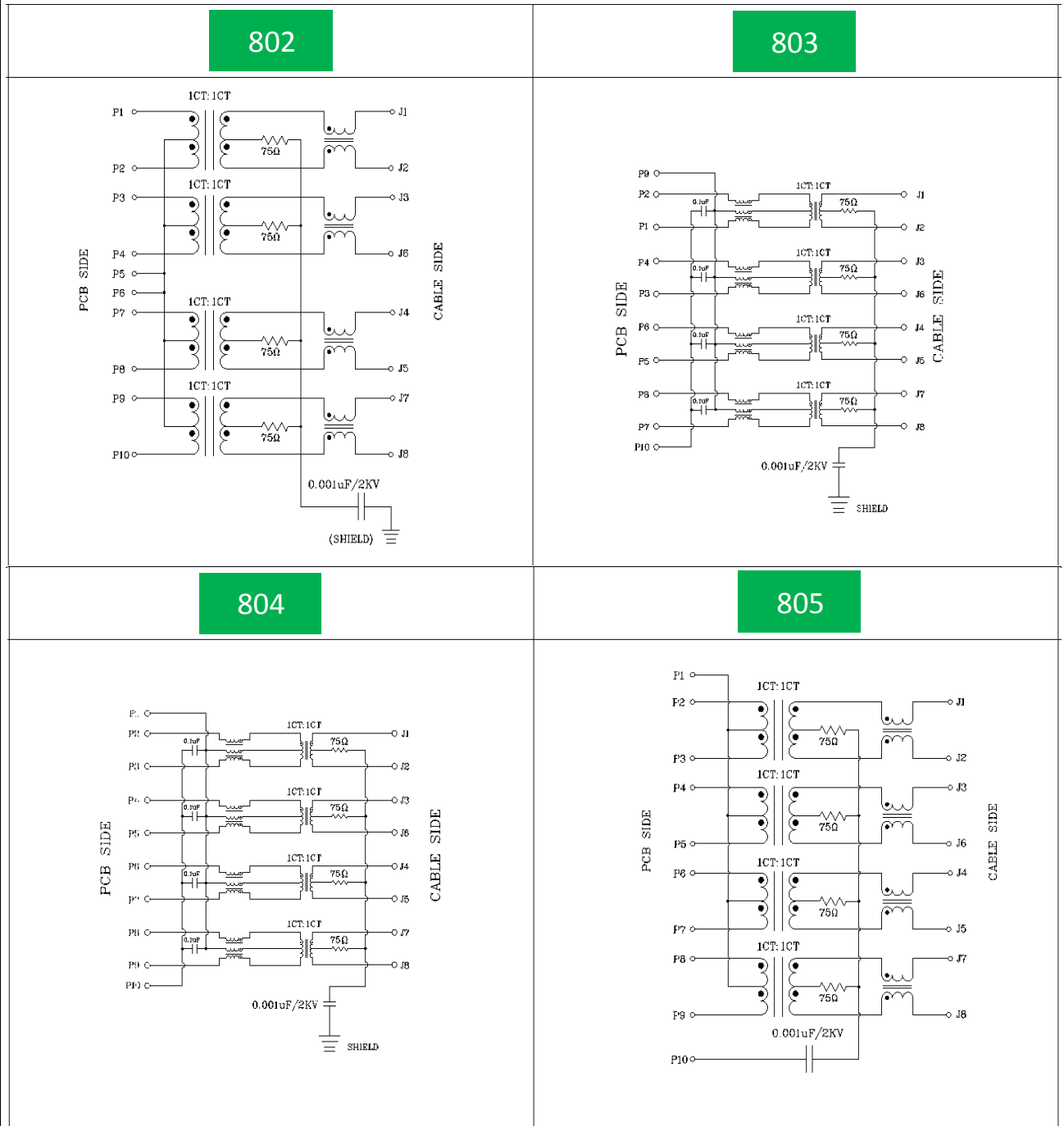
Southern California Office:

15991 Red Hill Avenue, Suite #102,
Tustin, CA 92780 USA
Tel:+1-714-460-0718 Fax:+1-714-460-0728

<http://www.palnova.com>

Northern California Office:

500 Yosemite Drive,
Milpitas, CA 95035 USA
Tel:+1-408-855-8866 Fax:+1-408-855-8868



Southern California Office:

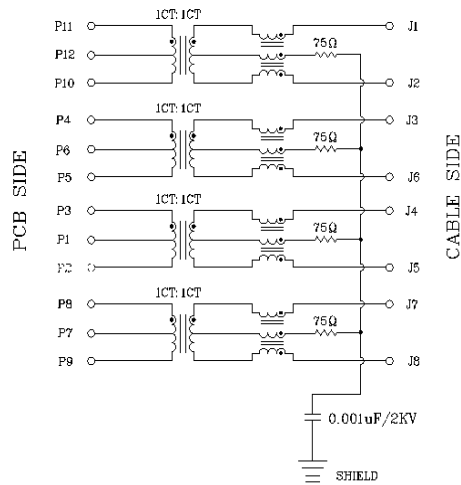
15991 Red Hill Avenue, Suite #102,
 Tustin, CA 92780 USA
 Tel:+1-714-460-0718 Fax:+1-714-460-0728

<http://www.palnova.com>

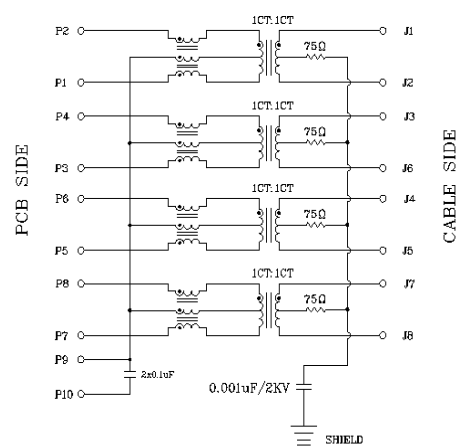
Northern California Office:

500 Yosemite Drive,
 Milpitas, CA 95035 USA
 Tel:+1-408-855-8866 Fax:+1-408-855-8868

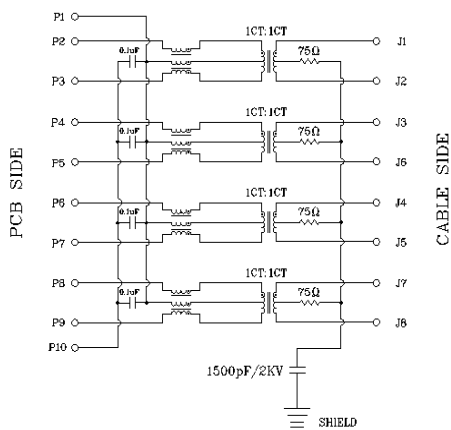
806



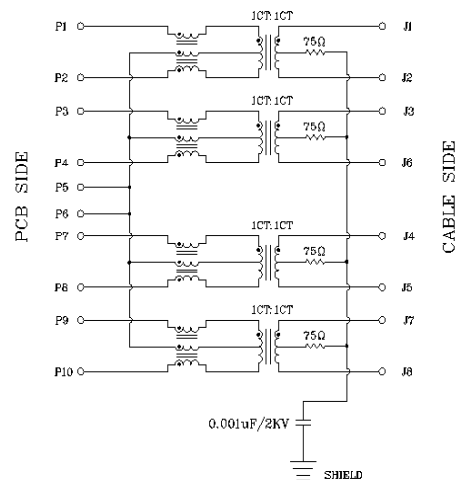
807



808



809



Southern California Office:

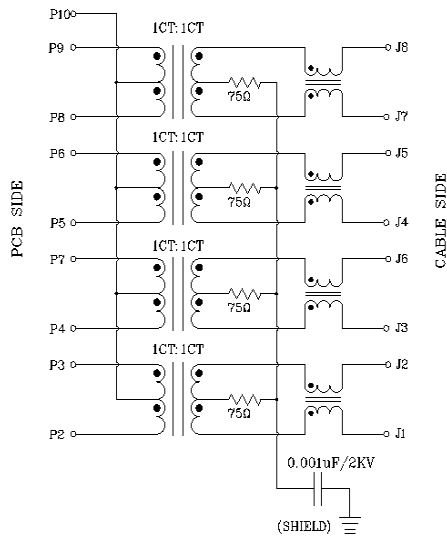
15991 Red Hill Avenue, Suite #102,
Tustin, CA 92780 USA
Tel:+1-714-460-0718 Fax:+1-714-460-0728

<http://www.palnova.com>

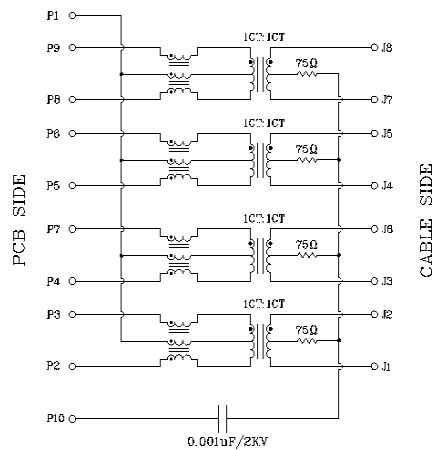
Northern California Office:

500 Yosemite Drive,
Milpitas, CA 95035 USA
Tel:+1-408-855-8866 Fax:+1-408-855-8868

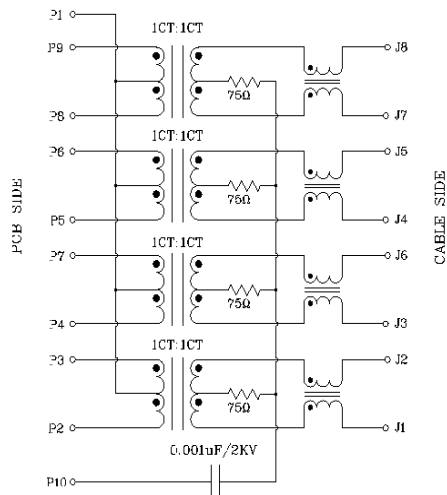
810



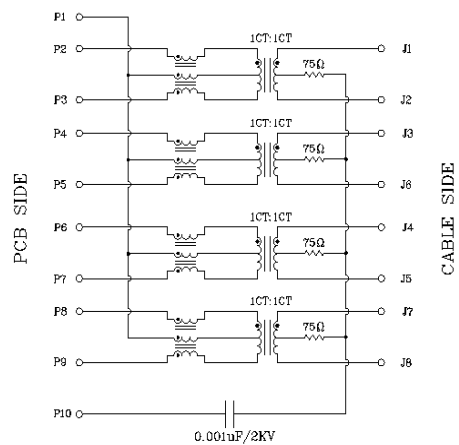
811



812



813



Southern California Office:

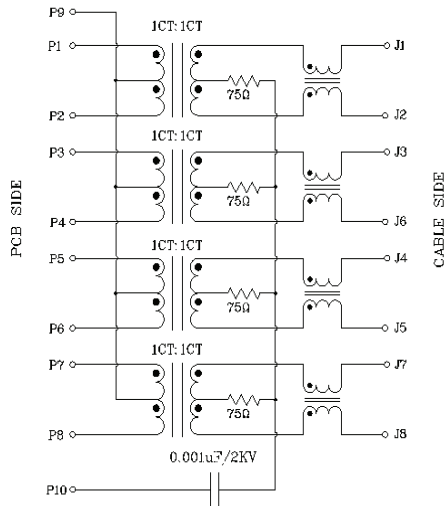
15991 Red Hill Avenue, Suite #102,
Tustin, CA 92780 USA
Tel:+1-714-460-0718 Fax:+1-714-460-0728

<http://www.palnova.com>

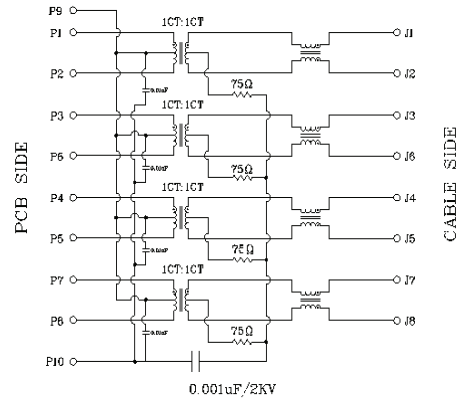
Northern California Office:

500 Yosemite Drive,
Milpitas, CA 95035 USA
Tel:+1-408-855-8866 Fax:+1-408-855-8868

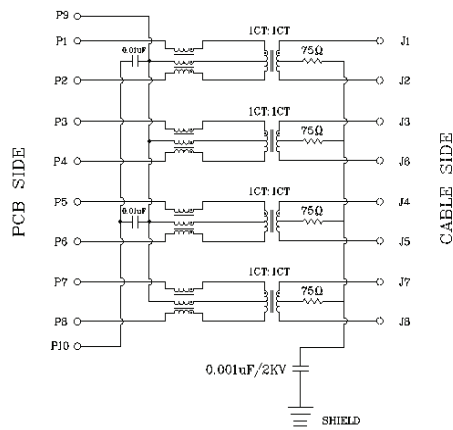
814



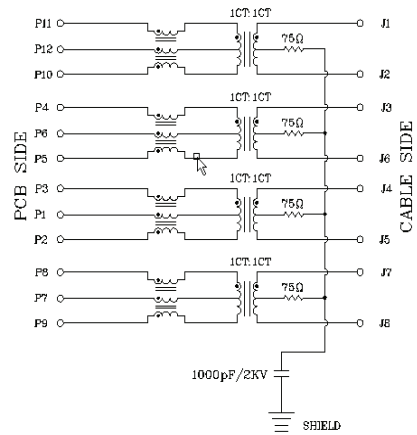
815



816



817



Southern California Office:

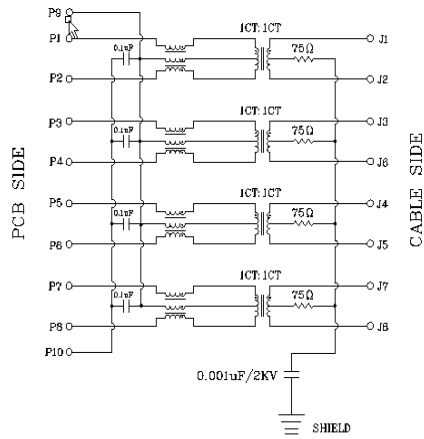
15991 Red Hill Avenue, Suite #102,
Tustin, CA 92780 USA
Tel:+1-714-460-0718 Fax:+1-714-460-0728

<http://www.palnova.com>

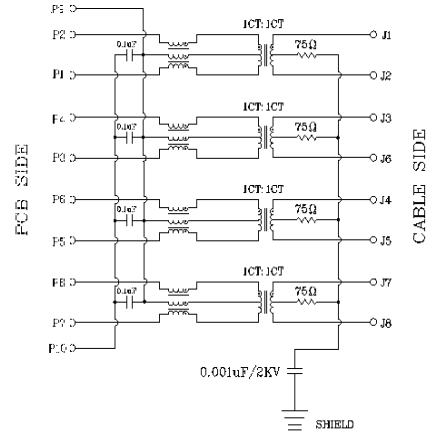
Northern California Office:

500 Yosemite Drive,
Milpitas, CA 95035 USA
Tel:+1-408-855-8866 Fax:+1-408-855-8868

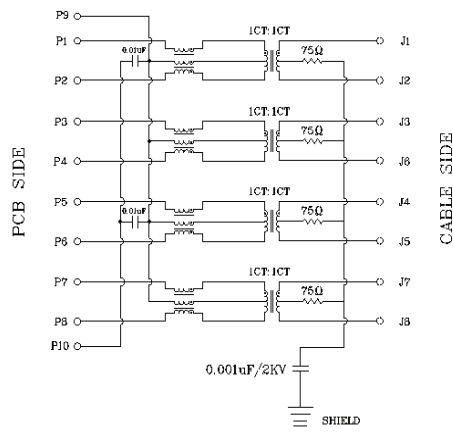
818



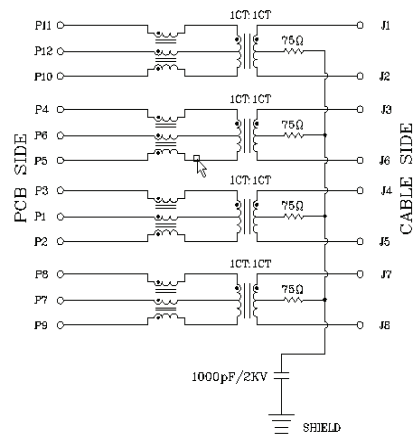
819



816



817



Southern California Office:

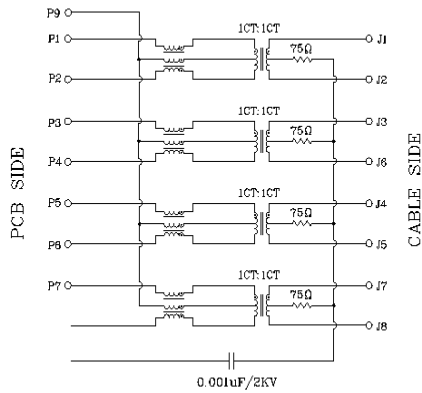
15991 Red Hill Avenue, Suite #102,
Tustin, CA 92780 USA
Tel:+1-714-460-0718 Fax:+1-714-460-0728

<http://www.palnova.com>

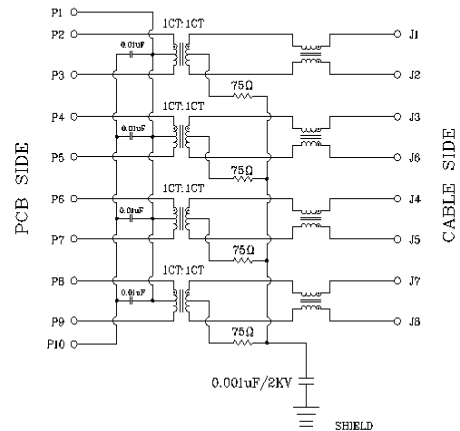
Northern California Office:

500 Yosemite Drive,
Milpitas, CA 95035 USA
Tel:+1-408-855-8866 Fax:+1-408-855-8868

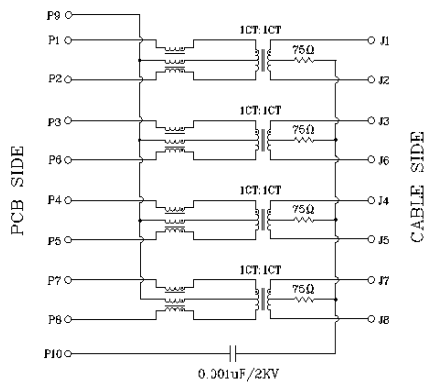
820



821



822



Southern California Office:

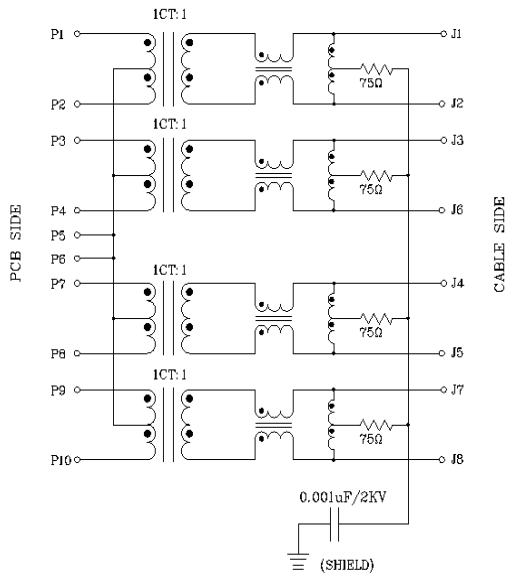
15991 Red Hill Avenue, Suite #102,
Tustin, CA 92780 USA
Tel:+1-714-460-0718 Fax:+1-714-460-0728

<http://www.palnova.com>

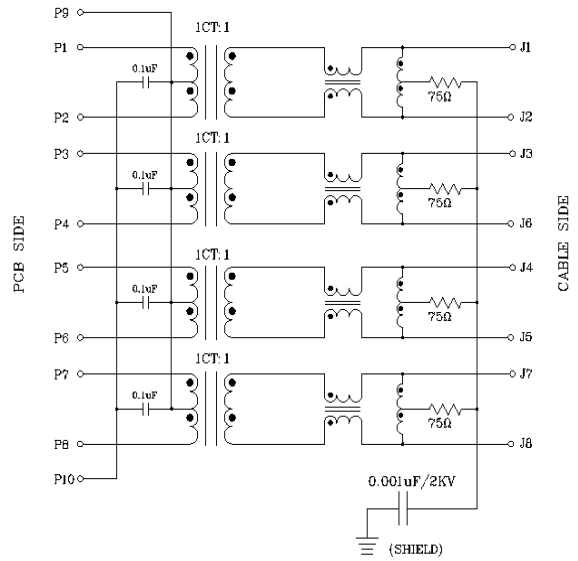
Northern California Office:

500 Yosemite Drive,
Milpitas, CA 95035 USA
Tel:+1-408-855-8866 Fax:+1-408-855-8868

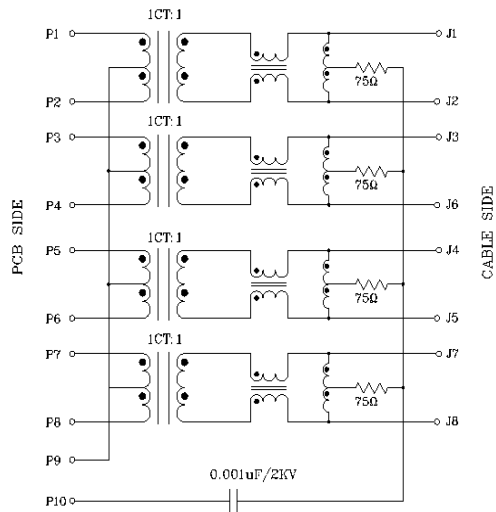
1201



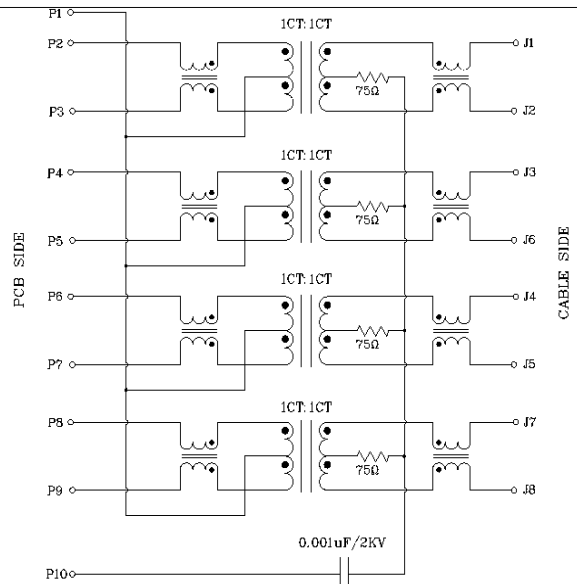
1202



1204



1205



Southern California Office:

15991 Red Hill Avenue, Suite #102,
Tustin, CA 92780 USA
Tel:+1-714-460-0718 Fax:+1-714-460-0728

<http://www.palnova.com>

Northern California Office:

500 Yosemite Drive,
Milpitas, CA 95035 USA
Tel:+1-408-855-8866 Fax:+1-408-855-8868



For more information regarding samples please visit www.palpilot.com