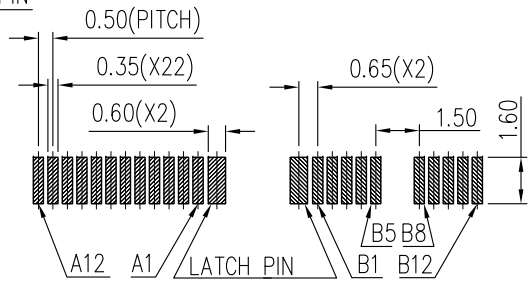
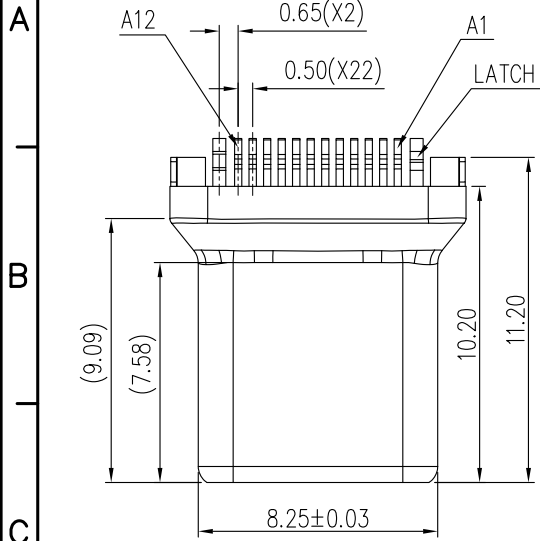


ABIDE BY ROHS, MEETS PT ENVIRONMENTAL Q3-7584

REV.	DESCRIPTION	ECN NO.	NEW DESIGNER
X1	NEW RELEASE	\	Genway 2015.09.19
X2	ADD DIMENSIONAL TOLERANCE AND PIN ASSIGNMENTS	\	Genway 2016.04.28



TOP SIDE
BOTTOM SIDE
RECOMMENDED P.C.B LAYOUT
(T=1.00±0.05mm)

PIN DEFINITION			
PIN	Signal Name	PIN	Signal Name
A1	GND	B12	GND
A2	TX1+	B11	RX1+
A3	TX1-	B10	RX1-
A4	VBUS	B9	VBUS
A5	CC	B8	SBU2
A6	D+	B7	
A7	D-	B6	
A8	SBU1	B5	VCONN
A9	VBUS	B4	VBUS
A10	RX2-	B3	TX2-
A11	RX2+	B2	TX2+
A12	GND	B1	GND

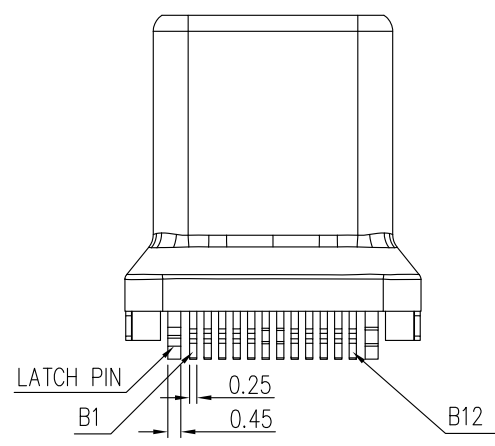
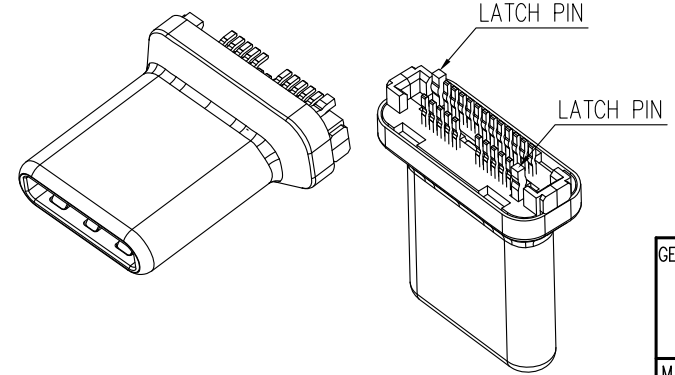
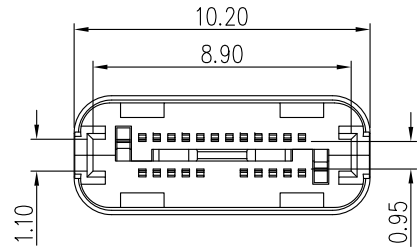
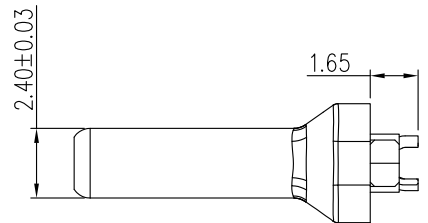
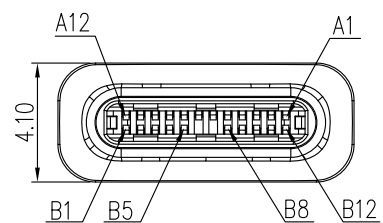
NOTES:

- MATERIALS:**
SHELL: STAINLESS STEEL, T=0.15±0.01mm
SPRING: STAINLESS STEEL, T=0.10±0.01mm
LATCH: STAINLESS STEEL, T=0.40±0.01mm
HOUSING: THERMOPLASTIC
CONTACT: COPPER ALLOY, T=0.20±0.01mm
- PLATING:**
CONTACT: CONTACT AREA Au PLATED 30u" Min. OR REFER TO THE PART NO. CODE DEFINED. UNDER PLATE 80u" Min. NICKEL OVERALL. 120u" Min. TIN PLATING ON SOLDER TAIL
LATCH: UNDER PLATE 50u" Min. NICKEL OVERALL 120u" Min. TIN PLATING ON SOLDER TAIL
SHELL: 30u" Min. NICKEL PLATING OVERALL
- ELECTRICAL PERFORMANCE:**
INSULATION RESISTANCE: 100Mohm MIN.
CONTACT RESISTANCE: 40mohm MAX.
DIELECTRIC WITHSTANDING: 100 VAC
CURRENT RATING: 5A MAX.
- MECHANICAL PERFORMANCE:**
MATING FORCE: 5~20N
UNMATING FORCE: 8~20N
DURABILITY: 10000 CYCLES

PART NO. CODE

UTC012- N * * * - * *
① ② ③ ④ ⑤ ⑥

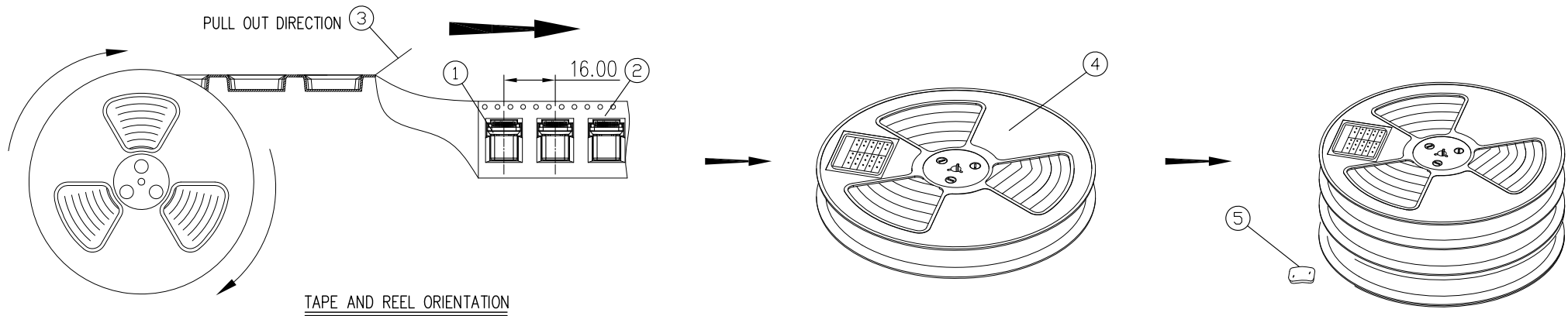
- SERIES:**
UTC012: USB TYPE-C FULL-FEATURED SMT PLUG, 22 POSITIONS (DEEP DRAWN SHELL)
- POSITIONS:**
N: 22 POSITIONS.
- INSULATOR COLOR:**
K: BLACK
W: WHITE
- CONTACT PLATING:**
2: PLATED AU 3U" MIN
3: PLATED AU 10U" MIN
5: PLATED AU 30U" MIN
- ENVIRONMENT:**
0: RoHS
H: HALOGEN FREE
- WAY OF PACKING:**
T: TRAY
R: TAPE & REEL



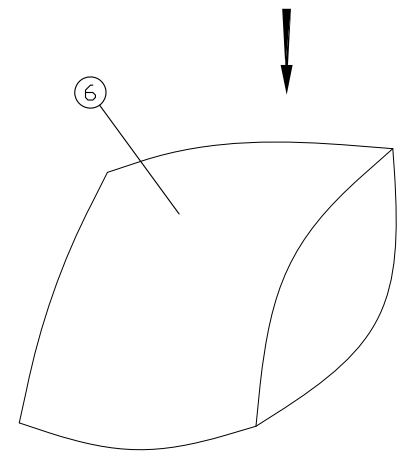
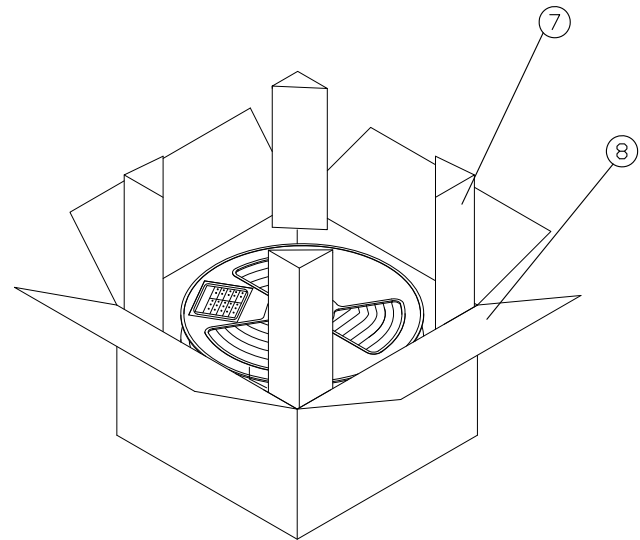
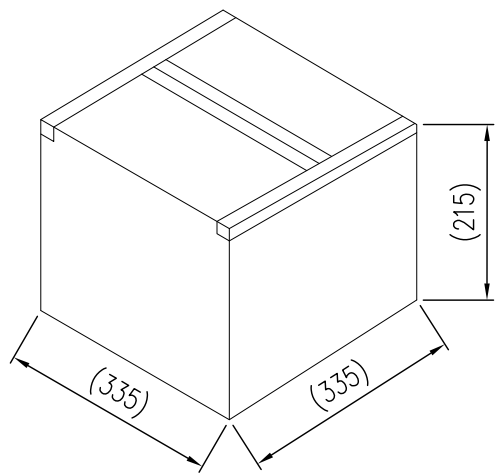
GENERAL TOLERANCE: X. ±0.38 .X ±0.25 .XX ±0.20 .XXX ±0.15	ANGLE TOLERANCE: X.* ±2.0° .X.* ±1.0° .XX.* ±0.5°	NAME (INTENDED USE): CUSTOMER DRAWING	PALCONN TECHNOLOGY CO., LTD. TITLE: USB TYPE-C FULL-FEATURED PLUG, 22 POSITIONS SMT TYPE (DEEP DRAWN SHELL)		
MAJOR (QC CHECKED): ▽= places	SCALE: 1:1	APPROVED: Brian 2016.04.28			
CRITICAL: ▽= places	UNIT: mm	CHECKED: Genway 2016.04.28	SERIES:	USB TYPE C	SIZE: A4
SHEET 1 OF 2	DESIGN: Jun 2016.04.28	DRAWING NO.: C-UTC012-00	REV.: X2		

ABIDE BY ROHS,MEETS PT ENVIRONMENTAL Q3-7584

REV.	DESCRIPTION	ECN NO.	NEW DESIGNER
X1	NEW RELEASE	\	Genway 2015.09.19
X2	ADD DIMENSIONAL TOLERANCE AND PIN ASSIGNMENTS	\	Genway 2016.04.28



TAPE AND REEL ORIENTATION




BILL OF MATERIAL:

ITEM	PART NAME	Q'TY	MATERIAL
8	TRIANGLE CARDBOARD	4	A=B
7	OUTER CARTON	1	K=K
6	ANTI-WATER POLYBAG	1	PE
5	DESICCANT	5	/
4	REEL	6	PS(BLUE)
3	COVER TAPE	15.00M	PET T=0.07mm
2	CARRIER TAPE	14.90M	PS T=0.30mm
1	PRODUCT	5400PCS	/

LEADER AND TRAILER TAPE

- COVER TAPE PEELING FORCE IN THE DIRECTION SHOWN SHALL BE 0.20N MIN.
- TAPE AND REEL MATERIALS:
 - CARRIER TAPE: POLYPROPYLENE OR POLYSTYRENE- ANTI-ESD
 - COVER TAPE: TREATED FOR ANTI-ESD
 - REEL: POLYPROPYLENE OR POLYSTYRENE
- PACKING QUANTITY AND STYLE:
 - QUANTITY: 900 PCS/REEL
 - 6 REELS /OUTER CARTON
 - 5400 PCS/OUTER CARTON
- PACKING STYLE: TAPE&REEL

GENERAL TOLERANCE		ANGLE TOLERANCE		NAME(INTENDED USE):		 PALCONN TECHNOLOGY CO.,LTD. TITLE: USB TYPE-C FULL-FEATURED PLUG, 22 POSITIONS SMT TYPE (DEEP DRAWN SHELL)			
X.	±0.38	X.*	±3.0°	CUSTOMER DRAWING					
.X	±0.25	.X'	±2.0°	PART NO. CODE:					
.XX	±0.20	.XX'	±1.0°	UTC012-N**-**					
.XXX	±0.15			APPROVED:	Brian 2016.04.28				
MAJOR(QC CHECKED)	places	SCALE:	1:1	CHECKED:	Genway 2016.04.28	SERIES:	USB TYPE C	SIZE:	A4
CRITICAL:	places	UNIT:	mm	DESIGN:	Jun 2016.04.28	DRAWING NO.:	C-UTC012-00	REV.:	X2
SHEET 2 OF 2									