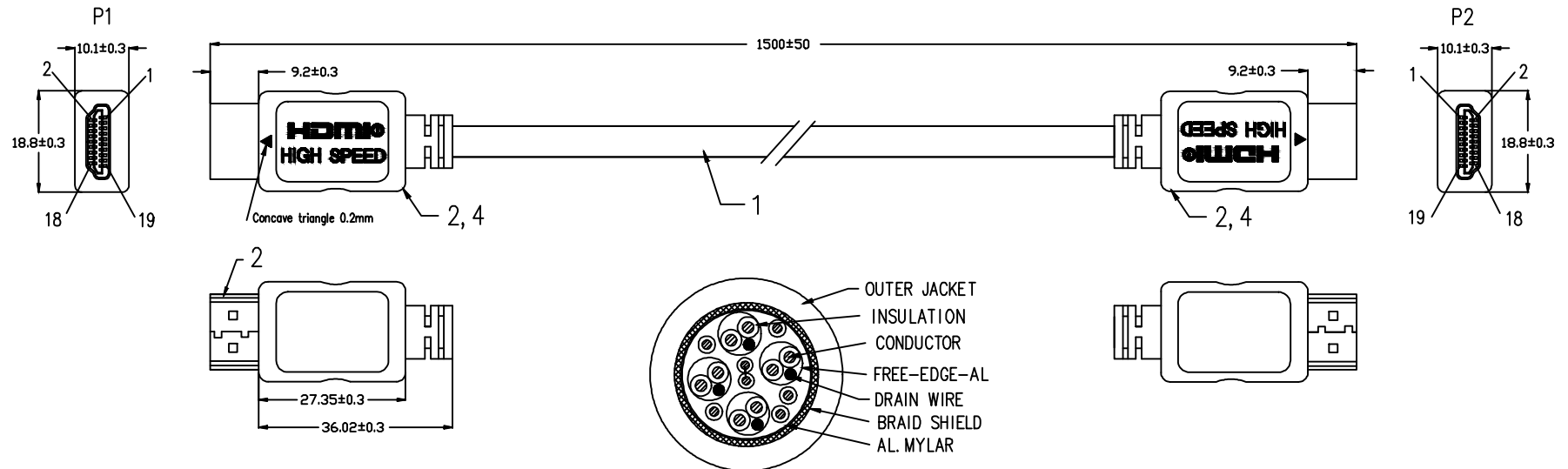
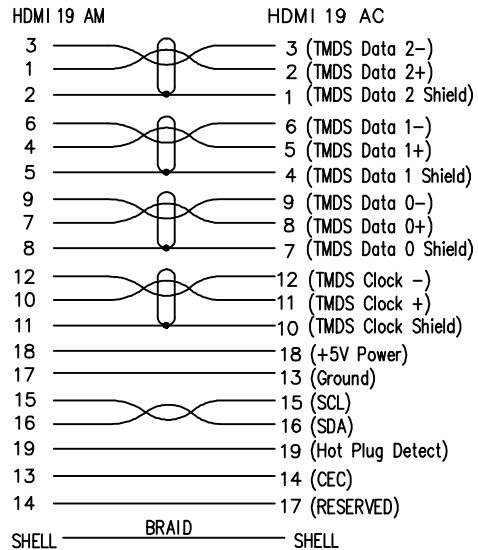


RevNo	Revision note	Date	Signature	Checked
A	NEW RELEASE	08-28-17		

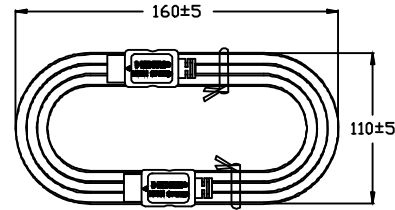


CABLE SPECIFICATION

PIN ASSIGNMENT:



- NOTES: (UNLESS OTHERWISE SPECIFIED)
- 1) CONDUCTOR RESISTANCE: 3 OHM MAX
  - 2) INSULATION RESISTANCE: 10M OHMS MIN
  - 3) DIELECTRIC WITHSTANDING VOLTAGE: 300V/0.15
  - 4) CABLE AND CONNECTORS SHOULD COMPLY WITH HDMI 1.4b SPEC
  - 5) ALL COMPONENTS ARE RoHS, REACH, CONFLICT MINERAL, UL COMPLIANT



**RoHS Compliant**

ITEM	PART NAME	Q'TY	PART NO:	DESCRIPTION
4	DUST CAP	2PCS		LD-PE DUST CAP
3	OUTER MOLD	AR		PVC 45PA BLACK UL94V-2 ABOVE
2	CONNECTOR	2PCS	C-HDMO21-00	HDMI A Type Male Solder Type Terminal (phosphor bronze) G/F" Insulation lcp/pbt, shell collout p/n:spcc, Ni plated 50u", gold plated 1u".
1	CABLE	1500mm		UL20276 (30AWG*1P+ADM)*4C+30AWG*(1P+5C)+ADB (85% aluminum magnesium alloy) CTS INSULATION VW-1 BLACK JACKET OD: 5.5mm

GENERAL TOLERANCES ( UNLESS SPECIFIED )		FINISH		TITLE	
DIMENSION STYLE : MM < INCH >		SEE NOTES		HDMI A/M BOTH ENDS CABLE (1.50 METER)	
	MM	ANGLE*	MATERIAL	SIZE	DRAWING NO.
4 PLACES	± ---	± ---	SEE NOTES	A4	HDM-HM-001-461
3 PLACES	± ---	± ---	DRAWN BY	SCALE	SHEET
2 PLACES	± 0.15	± ---	R. LY	NONE	1 OF 1
1 PLACES	± 0.25	± ---	CHECKED BY		REV.
0 PLACES	± 0.35	± ---	---		A
THIRD ANGLE PROJECTION		APPROVED BY			