

### Specifications

- Standard Input Current 0.01-100 A
- Frequency 50Hz — 400Hz
- Standard accuracy 0.1, 0.2, 0.5
- Operating Temp. -40°C to +85°C
- ANSI C57.13 and IEC60044-1 Standards
- Custom design Turns-Ratio available
- Approximate weight 30g

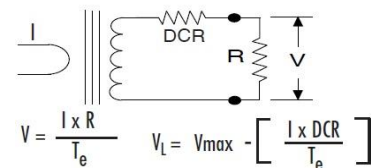
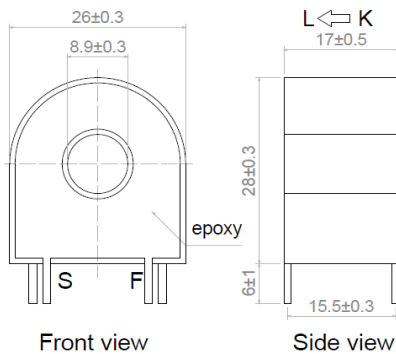
### Applications

- Electrical load monitoring
- Energy and sub-metering products
- Network equipment
- Instruments and sensors
- Control systems
- Go GREEN initiatives

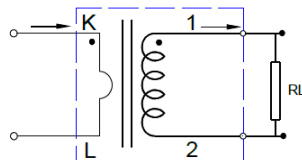
### Electrical Specifications @ 25°C

| P/N        | Input Current (A) | Available Outputs (mA) | Insulation Voltage (VAC/1 min.) |
|------------|-------------------|------------------------|---------------------------------|
| PECU09-10  | 10                | 5, 10, 15, 20, 30, 50  | 4000                            |
| PECU09-20  | 20                |                        | 4000                            |
| PECU09-50  | 50                |                        | 4000                            |
| PECU09-80  | 80                |                        | 4000                            |
| PECU09-100 | 100               |                        | 4000                            |

### Mechanical Dimensions: (mm)



### Schematic



Note:

1. Primary current direction from K to L
2. Secondary current directions from S(1) to F(2)
3. RL: Output load resistance

PRODUCT P/N: PECU09-XX

REV: 00-09/20/17

#### TUSTIN OFFICE:

15991 Red Hill Avenue, Suite #102, Tustin,  
California 92780 USA

Tel:+1-714-460-0718 Fax:+1-714-460-0728

<http://www.palnova.com>

#### Milpitas OFFICE:

500 Yosemite Drive,  
Milpitas, CA. 95035 USA

Tel:+1-408-855-8866 Fax:+1-408-855-8868